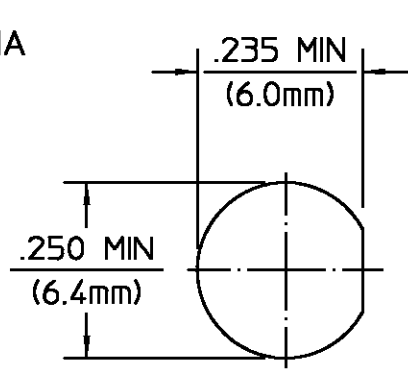


DESIGNED FOR USE WITH .141 DIA S/R CABLE	
CABLE ENTRY DIAMETER MINIMUM	
HOUSING	.144
CONTACT	.037

REVISIONS			
REV	DESCRIPTION	DATE	APPROVED
032	REDRAWN IN CAD ECN 92-0010	8/2/93	<i>[Signature]</i> 8/3/93



ELECTRICAL	MECHANICAL	ENVIRONMENTAL
Nominal Impedance (Ohms) <u>50</u>	Interface Dimensions MIL-STD-348A, Fig. 310.2	Temperature Rating <u>-65°C to +105°C</u>
Frequency Range (GHz) DC to <u>18</u>	Recommended Mating Torque <u>7-10 In Lbs</u>	Vibration MIL-STD-202, Method 204, Condition D
Volt Rating (VRMS MAX) @ Sea Level <u>500</u>	Mating Characteristics: Insertion (MAX Lbs) <u>3.0</u>	Shock MIL-STD-202, Method 213, Condition I
VSWR <u>1.05±.008f(GHz)</u>	Withdrawal (MIN Oz) <u>1.0</u>	Thermal Shock MIL-STD-202, Method 107, Condition B, Except High Temp shall be +115°C
Insertion Loss (dB MAX) <u>.03 √f(GHz)</u>	Force to Engage and Disengage (In-Lbs MAX) <u>2.0</u>	Moisture Resistance MIL-STD-202, Method 106
RF Leakage (dB MIN) <u>-[90-f(GHz)]</u>	Center Contact Captivation Axial (Lbs) <u>N/A</u>	Corrosion - MIL-STD-202, Method 101, Condition B, 5% salt spray
Corona, 70,000 Ft (VRMS MIN) <u>375</u>	Radial (In-Oz) <u>N/A</u>	
Dielectric Withstanding Voltage (VRMS MIN) @ Sea Level <u>1500</u>	Cable Retention Axial Force (Lbs) <u>60 MIN</u>	
Contact Resistance (Milliohms MAX) Center Contact <u>3.0</u>	Torque (In-Oz) <u>55 MIN</u>	
Outer Contact <u>2.0</u>	Weight (Oz) <u>.12</u>	
Cable to Housing <u>0.5</u>		
RF High Potential @ Sea Level (VRMS MIN @ 5 MHz) <u>1000</u>		
I.R.(Megohms MIN) <u>10000</u>		

COMPONENT	MATERIAL	FINISH
HOUSING MOUNTING NUT LOCKWASHER	STAINLESS STEEL PER ASTM-A484 AND ASTM-A582, TYPE 303	GOLD PLATE PER MIL-G-45204 OVER NICKEL PLATE PER QQ-N-290
DIELECTRIC	TFE FLUOROCARBON PER ASTM-D-1457	N/A
CENTER CONTACT	BERYLLIUM COPPER PER ASTM B 196, ALLOY C17300, CONDITION H	GOLD PLATE PER MIL-G-45204 OVER COPPER PLATE PER MIL-C-14550
*O* - RING	SILICONE RUBBER PER ZZ-R-765	N/A

UNLESS OTHERWISE SPECIFIED DIMENSIONS ARE IN INCHES TOLERANCE ON	DRAWN BY	DATE	AMP Incorporated 140 Fourth Avenue Waltham, MA 02451-7599
	FRAC. DEC. ANGLES	CHECKED BY	
± 1/64 ±.005 ± °	RMK 7/9/69	7/9/69	<b>AMP</b> TITLE OSM BULKHEAD FEEDTHROUGH CABLE JACK - DIRECT SOLDER ATTACHMENT SIZE B CODE IDENT NO. 26805 2004-7941-00 REV 032 SCALE 4:1 SHEET 1 OF 1
These drawings and specifications are the property of Omni Spectra Incorporated and shall not be reproduced or copied or used in whole or in part as the basis for the manufacture or sale of item(s) without written permission.	APPD BY		
	D.NANIA 7/10/69		
	USE ASS'Y PROCEDURE		
	408-04768 NO. AP. (20-013)		