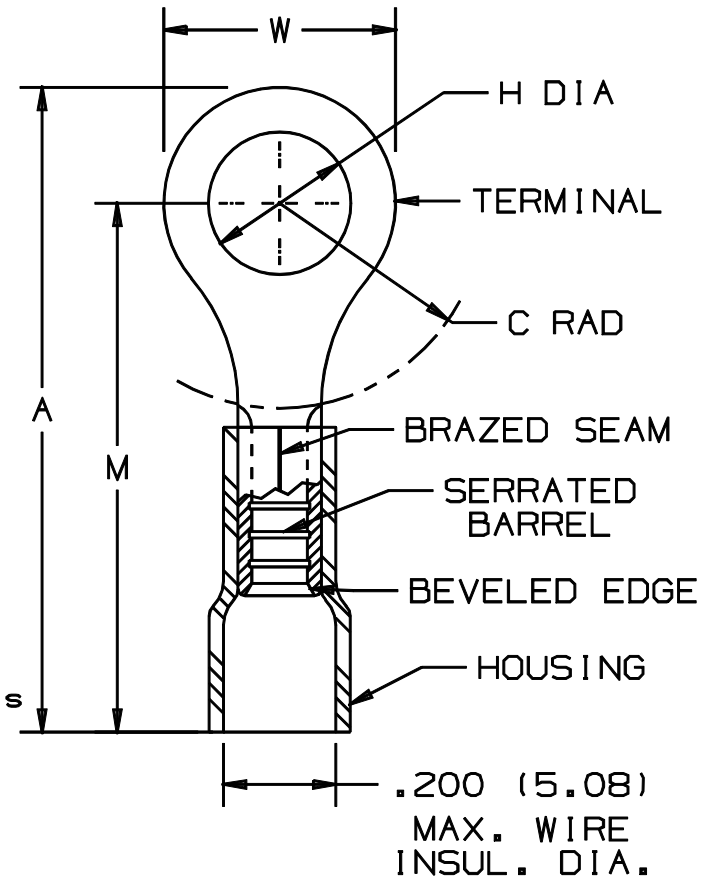


THIS COPY IS PROVIDED ON A RESTRICTED BASIS AND IS NOT TO BE USED IN ANY WAY DETRIMENTAL TO THE INTERESTS OF PANDUIT CORP.

PANDUIT PART NUMBER	PK	STUD SIZE	DIMENSIONS in.				
			A $\pm .03$	W $\pm .01$	C $\pm .02$	M $\pm .03$	H $\pm .01$
PV14-4RX	-C -M	#4	.87 (22.0)	.25 (6.4)	.19 (4.8)	.75 (19.1)	.12 (3.0)
PV14-6RX	-C -M	#6	.96 (24.4)	.31 (7.9)	.25 (6.4)	.81 (20.1)	.15 (3.8)
PV14-8RX	-C -M	#8	.96 (24.4)	.31 (7.9)	.25 (6.4)	.81 (20.1)	.17 (4.3)
PV14-10RX	-C -M	#10	.96 (24.4)	.31 (7.9)	.25 (6.4)	.81 (20.1)	.20 (5.1)
PV14-14RX	-C -M	1/4"	1.16 (29.5)	.46 (11.7)	.37 (9.4)	.95 (24.1)	.27 (6.9)
PV14-56RX	-C -M	5/16"	1.16 (29.5)	.46 (11.7)	.37 (9.4)	.95 (24.1)	.33 (8.4)
PV14-38RX	-C -M	3/8"	1.25 (31.8)	.53 (13.5)	.42 (10.7)	.99 (25.1)	.39 (9.9)



Notes:

- U.L. Listed and CSA Certified for
 - 600v max. voltage rating (1000v in signs, fixtures, and luminaires)
 - 18-14 AWG solid or stranded copper wire and 221°F (105°C) max. temp. rating with the CT-500, CT-550, CT-1551, CT-1550 installation tools
 - 16-14 AWG solid or stranded copper wire and 167°F (75°C) max. temp. rating with the CT-100 installation tools.

2. Material:

- Stamping: .032 (.81) thk copper, tin plated
- Housing: Vinyl, blue

3. Strip length: 5/16 + 1/32 - 0

4. Package qty.: -C = 100 / -M = 1000
-L = 50 / -D = 500

5. Dimensions in brackets are in millimeters or mm²



LISTED
587H
E52164



CERTIFIED
LR31212

A41270_04

04	1/01	RM		FILESPEC WAS N41270AA_PCD_03				<p>TINLEY PARK, ILLINOIS</p> <p>#16-14 BARREL VINYL INSULATED RING TONGUE, .200 (5.08) MAX. WIRE INSULATION DIAMETER</p>
03		JKD		ADDED CT-1551 & CT-1550 TOOLS	07634			
02	9/95	BK	RLS	UPDATED DRAWING	03612	LCA	JM	
1	7-88	DW		REDRAWN WITH REVISIONS			JB	
REV	DATE	BY	CHK	DESCRIPTION	ECN	CUST	PM	DRAWN BY: DAW Ck'D: CJH SCALE: NONE DRAWING NO.: A41270