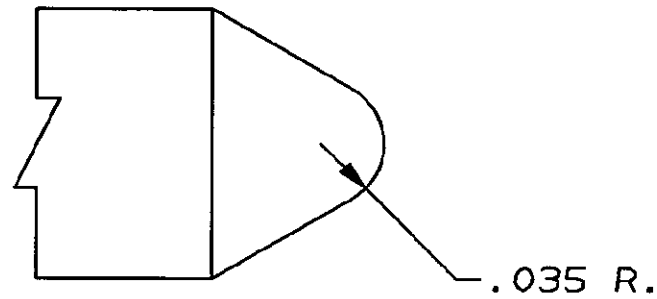


DRAWING MADE IN THIRD ANGLE PROJECTION

THIS DRAWING IS UNPUBLISHED. RELEASED FOR PUBLICATION ,19

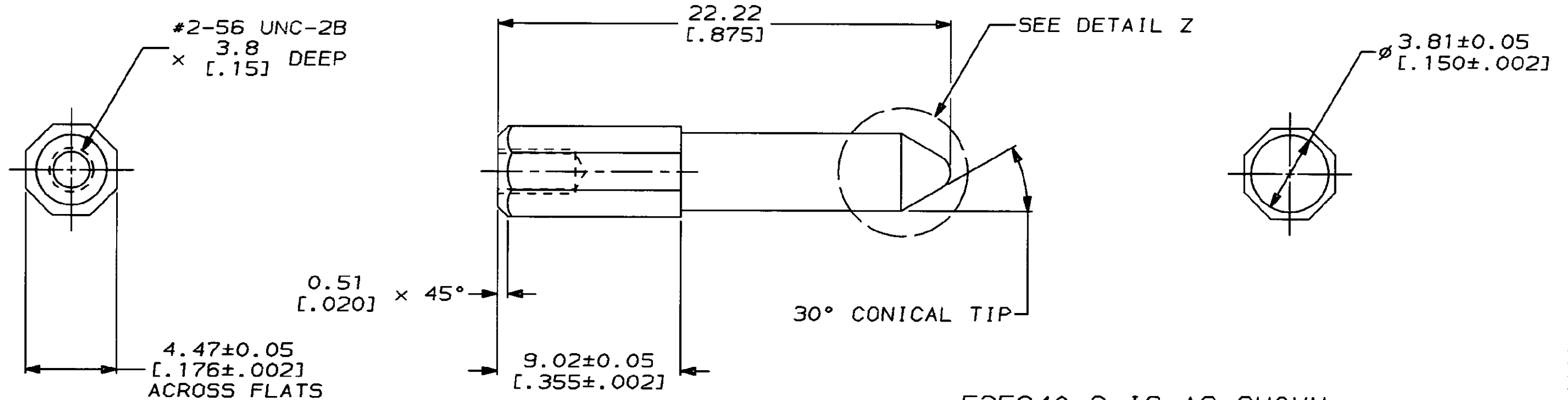
© COPYRIGHT 19 BY AMP INCORPORATED. ALL INTERNATIONAL RIGHTS RESERVED.

LOC	DIST	P	F	REVISIONS			DATE	APPD
				ZONE	LTR	DESCRIPTION		
AD	25			B		ECN AD	01/21/91	-
				C		REV.PER ECN.AD6617	7/21/92	TH

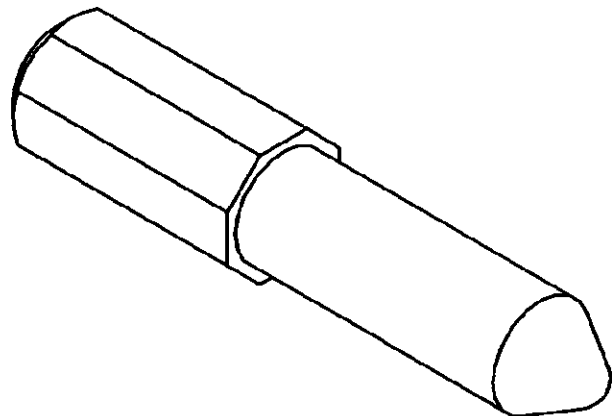


DETAIL Z
SCALE 10:1

- ① MATERIAL: STAINLESS STEEL
- ② FINISH: PASSIVATED



535840-2 IS AS SHOWN.



METRIC

DO NOT SCALE PRINT. UNLESS SPECIFIED DIMENSIONS IN mm (INCHES) TOLERANCES ON: 2 PLC DEC ± - 3 PLC DEC ± 0.13 [.005] ANGLES ± -		DR 01/21/91 R.K. SEIFRIED/UTA		PART NO	
MATERIAL	①	CHK 9/3/92 J.D. WEARY	AMP AMP Incorporated Harrisburg, PA 17105-3608		
FINISH	②	APPD 9/3/92 J.D. WEARY	NAME TBC PLUS, GUIDE PIN		
PRODUCT SPEC	-	APPD 9/3/92 J.D. WEARY	SIZE	CAGE CODE	DRAWING NO
APPLICATION SPEC	-	WEIGHT -	B	00779	535840
			SCALE	5:1	SHEET 1 OF 1