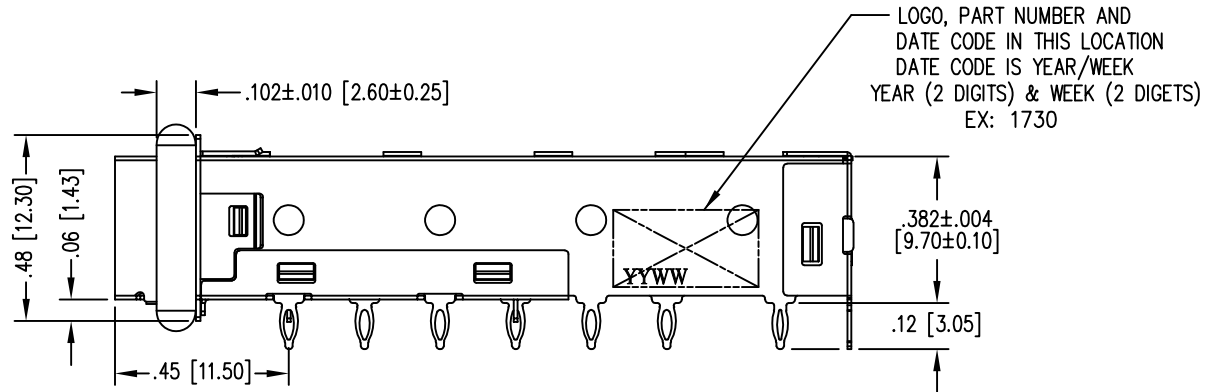
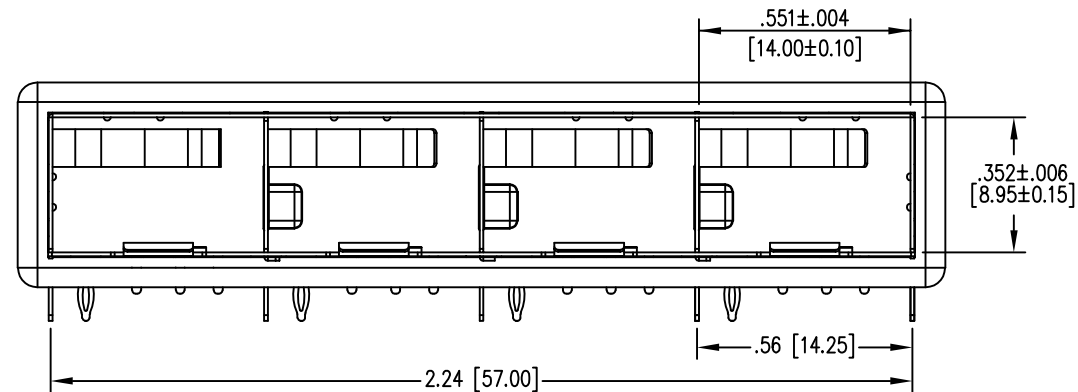
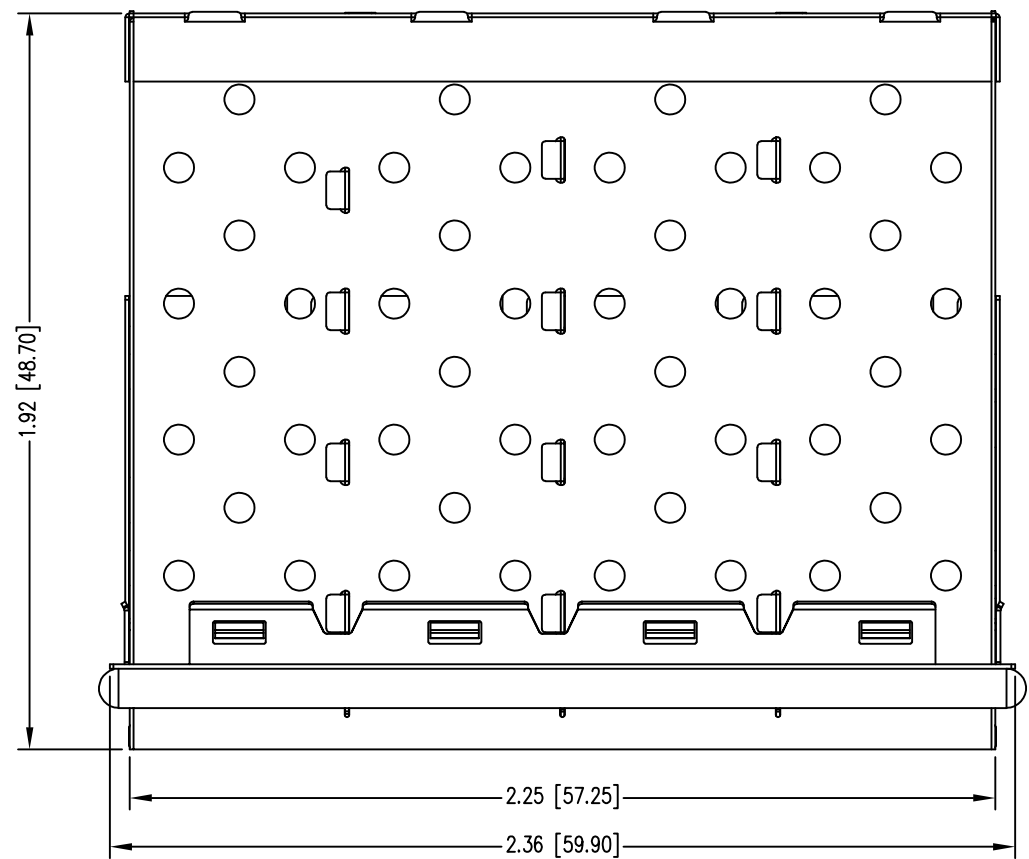


DATE	REV	ECN	APP'D. BY
8-11-17	A2	11061	TRM
8-16-17	A3	11066	TRM



LOGO, PART NUMBER AND DATE CODE IN THIS LOCATION
DATE CODE IS YEAR/WEEK
YEAR (2 DIGITS) & WEEK (2 DIGETS)
EX: 1730

SS-79100-008
PART NUMBER

- NOTES:
- MATERIALS:
CAGE: 1 PIECE COPPER ALLOY T= 0.01 [0.25]
GASKET FLANGE: 1 PIECE COPPER ALLOY T = 0.01 [0.25]
EMI GASKET: 1 PIECE PLATED FILLED SILICONE
 - PLATING:
CAGE: NICKEL
 - TEMPERATURE:
OPERATIONAL: -40°C~+85°C
STORAGE: -55°C~+105°C
 - FOR PRODUCT SPECIFICATIONS SEE PR043-01.
 - MATES WITH SFP MSA COMPLIANT TRANSCEIVERS.



THIRD ANGLE PROJECTION
DRAWING IS SUBJECT TO CHANGE WITHOUT NOTICE
UNLESS OTHERWISE SPECIFIED DIMENSIONS INCHES [METRIC] TOLERANCES ARE:
ANGLES ± 0.5°
1 PLC. DEC. ±.010" [±0.25]
2 PLC. DEC. ±.008" [±0.20]
3 PLC. DEC. ±.006" [±0.15]
DO NOT SCALE DRAWING
SHEET NO. 1 OF 2

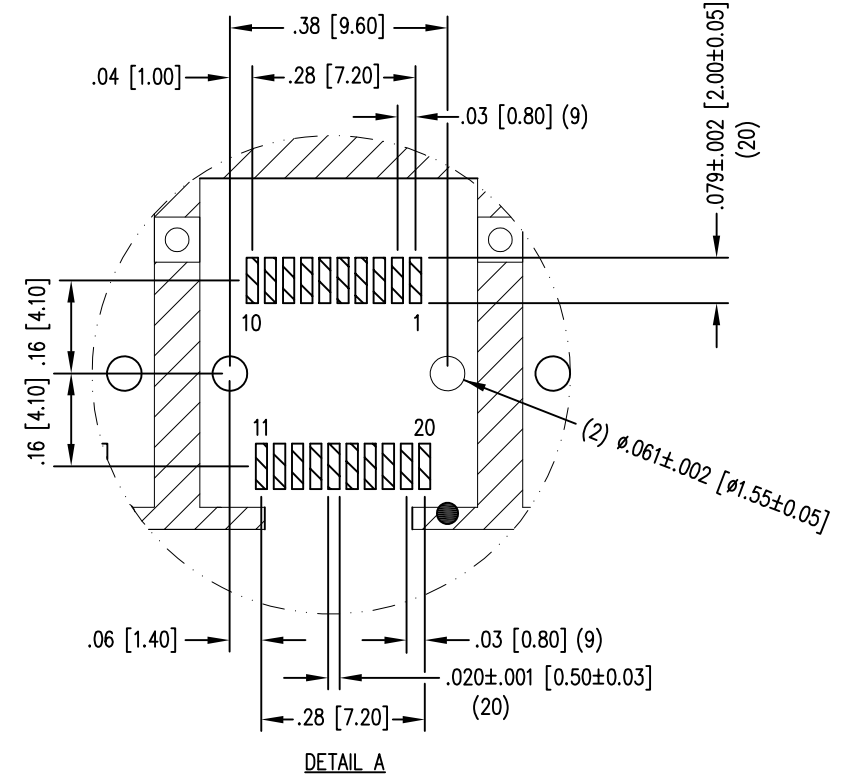
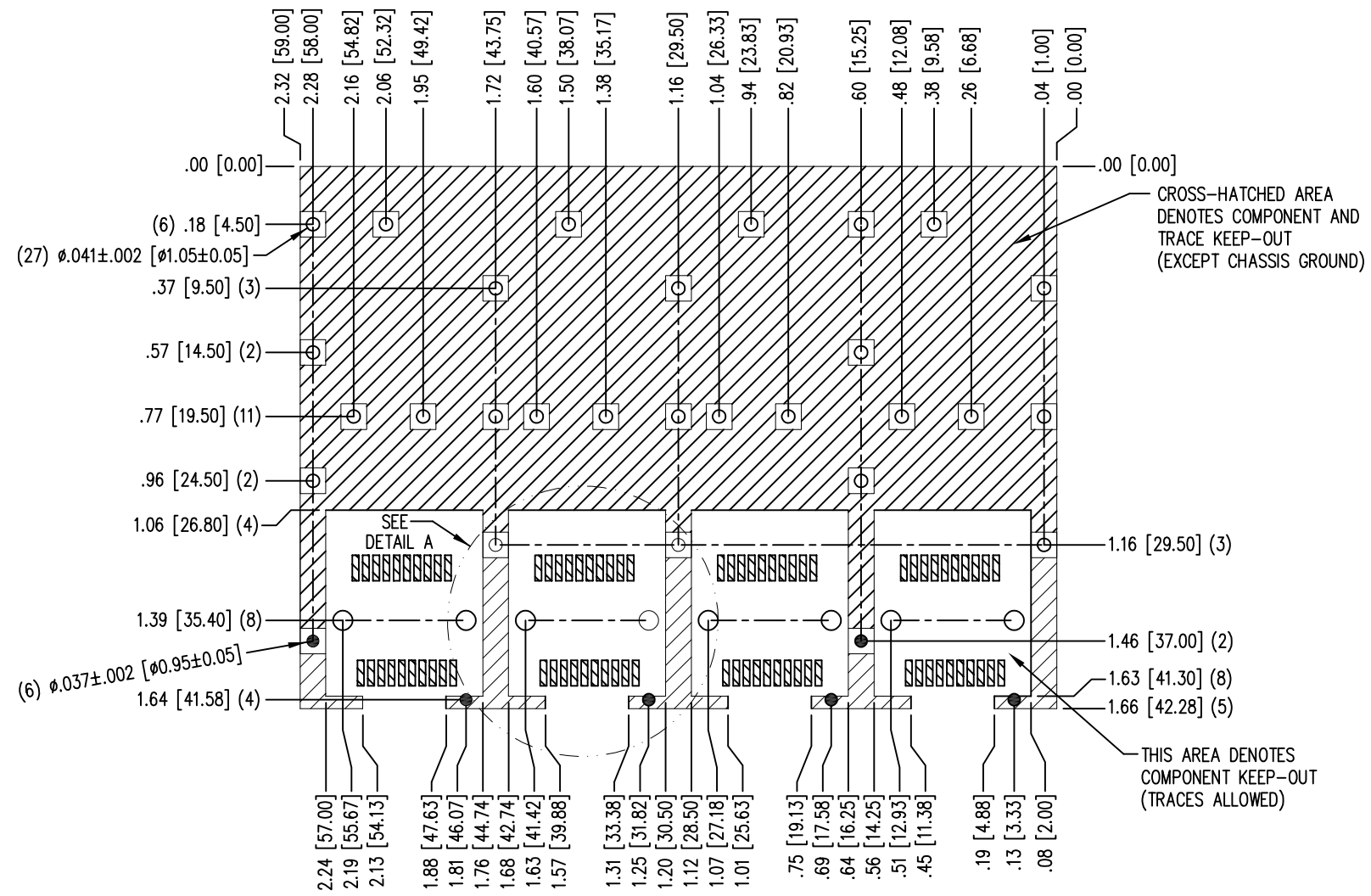
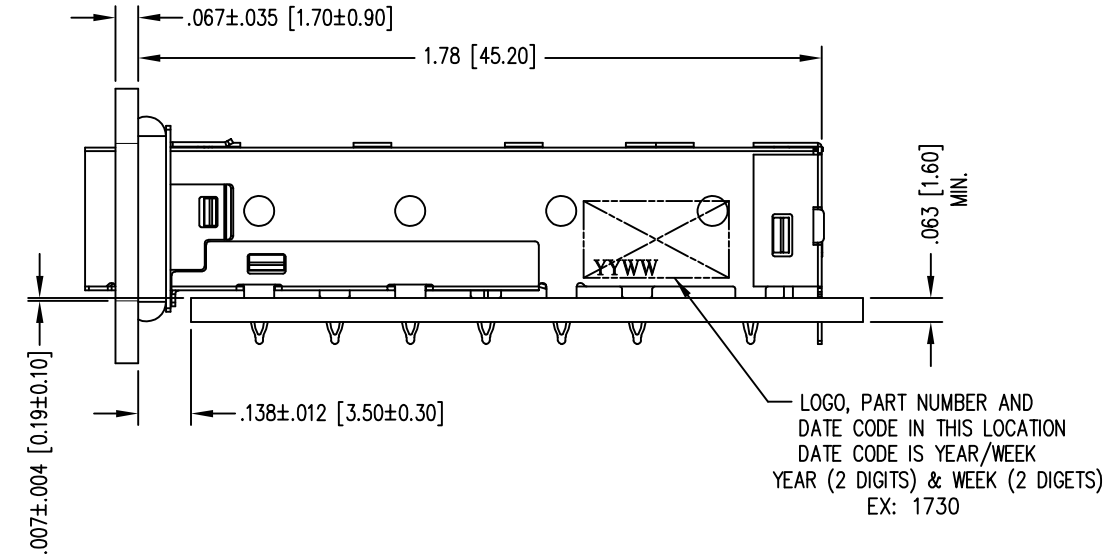
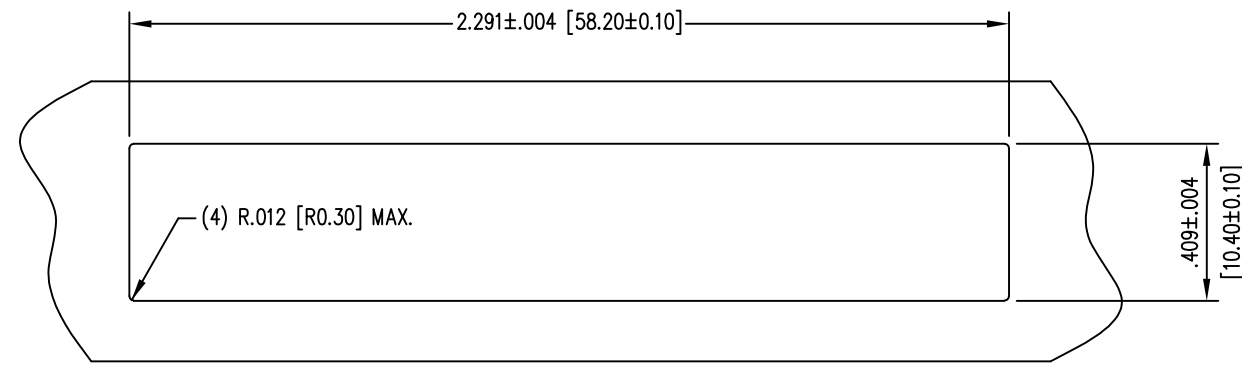


1118 Susquehanna Trail South
Glen Rock, PA 17327-9199
(717) 235-7512
<http://www.stewartconnector.com>

TITLE: SFP+ 1X4 CAGE WITH GASKET, PRESS FIT

THIS DRAWING AND THE SUBJECT MATTER SHOWN THEREON ARE CONFIDENTIAL AND THE PROPRIETARY PROPERTY OF STEWART CONNECTOR AND SHALL NOT BE REPRODUCED, COPIED, OR USED IN ANY MANNER WITHOUT PRIOR WRITTEN CONSENT OF STEWART CONNECTOR. ONE OR MORE U.S. PATENTS MAY APPLY TO THIS PRODUCT. FOR DETAILS, PLEASE VISIT: [HTTP://BELFUSE.COM/STEWART/STEWART_PATENTS/](http://BELFUSE.COM/STEWART/STEWART_PATENTS/)

DRN BY:	TRM	DATE	6-9-17
APPD BY:	DHG	DATE	6-30-17
DWG NO.	CT790008	REV.	A3



<p>THIRD ANGLE PROJECTION</p> <p>DRAWING IS SUBJECT TO CHANGE WITHOUT NOTICE</p> <p>UNLESS OTHERWISE SPECIFIED DIMENSIONS INCHES [METRIC]</p> <p>TOLERANCES ARE:</p> <p>ANGLES ± 0.5°</p> <p>1 PLC. DEC. ±.010" [±0.25]</p> <p>2 PLC. DEC. ±.008" [±0.20]</p> <p>3 PLC. DEC. ±.006" [±0.15]</p> <p>DO NOT SCALE DRAWING</p> <p>SHEET NO. 2 OF 2</p>	<p>1118 Susquehanna Trail South Glen Rock, PA 17327-9199 (717) 235-7512 http://www.stewartconnector.com</p>
<p>TITLE: SFP+ 1X4 CAGE WITH GASKET, PRESS FIT</p>	
<p>THIS DRAWING AND THE SUBJECT MATTER SHOWN THEREON ARE CONFIDENTIAL AND THE PROPRIETARY PROPERTY OF STEWART CONNECTOR AND SHALL NOT BE REPRODUCED, COPIED, OR USED IN ANY MANNER WITHOUT PRIOR WRITTEN CONSENT OF STEWART CONNECTOR. ONE OR MORE U.S. PATENTS MAY APPLY TO THIS PRODUCT. FOR DETAILS, PLEASE VISIT: HTTP://BELFUSE.COM/STEWART/STEWART_PATENTS/</p>	
<p>DRN BY: TRM</p> <p>DATE: 6-9-17</p>	<p>APPD BY: DHG</p> <p>DATE: 6-30-17</p>
<p>DWG NO. CT790008</p>	<p>REV. A3</p>