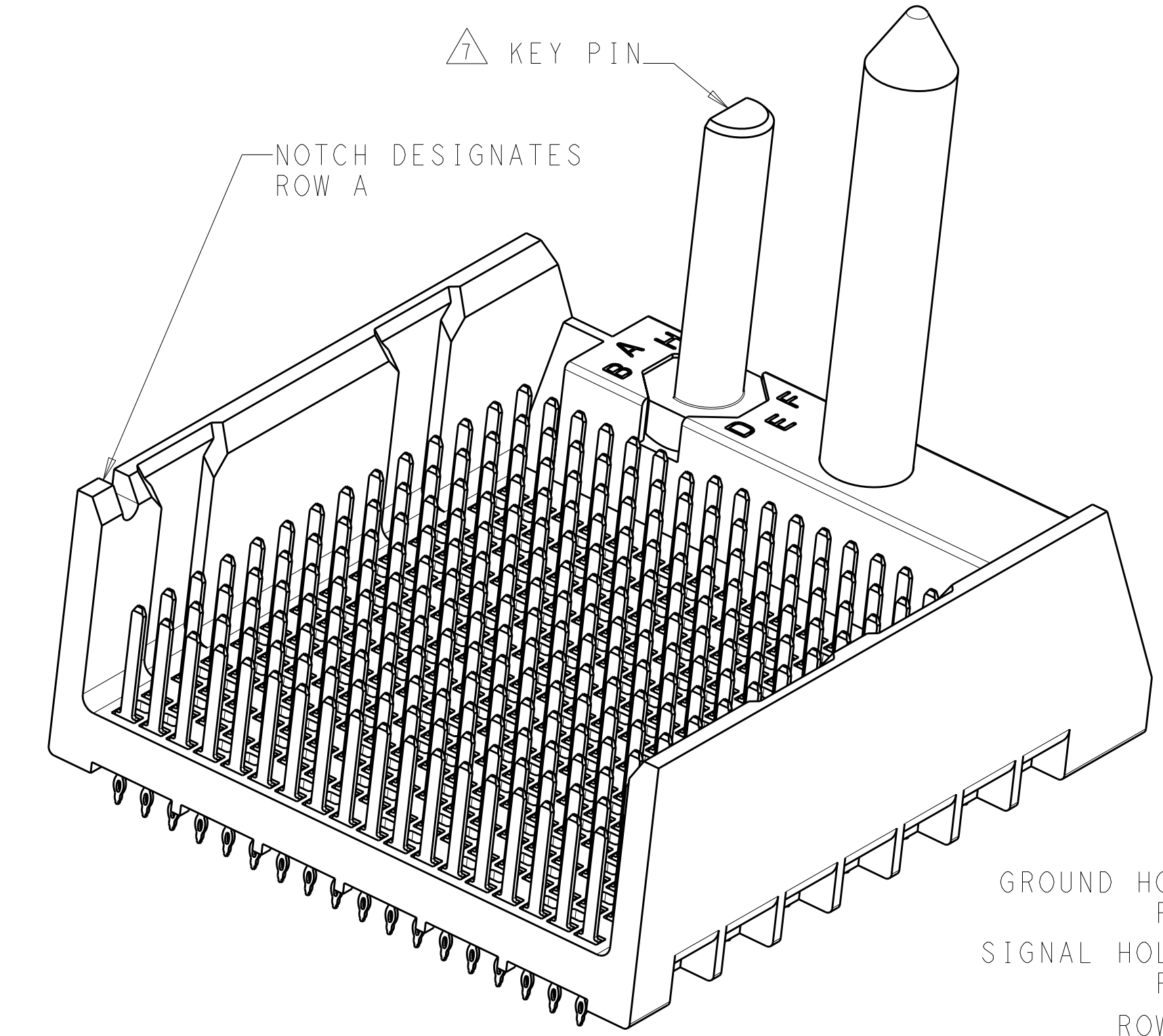
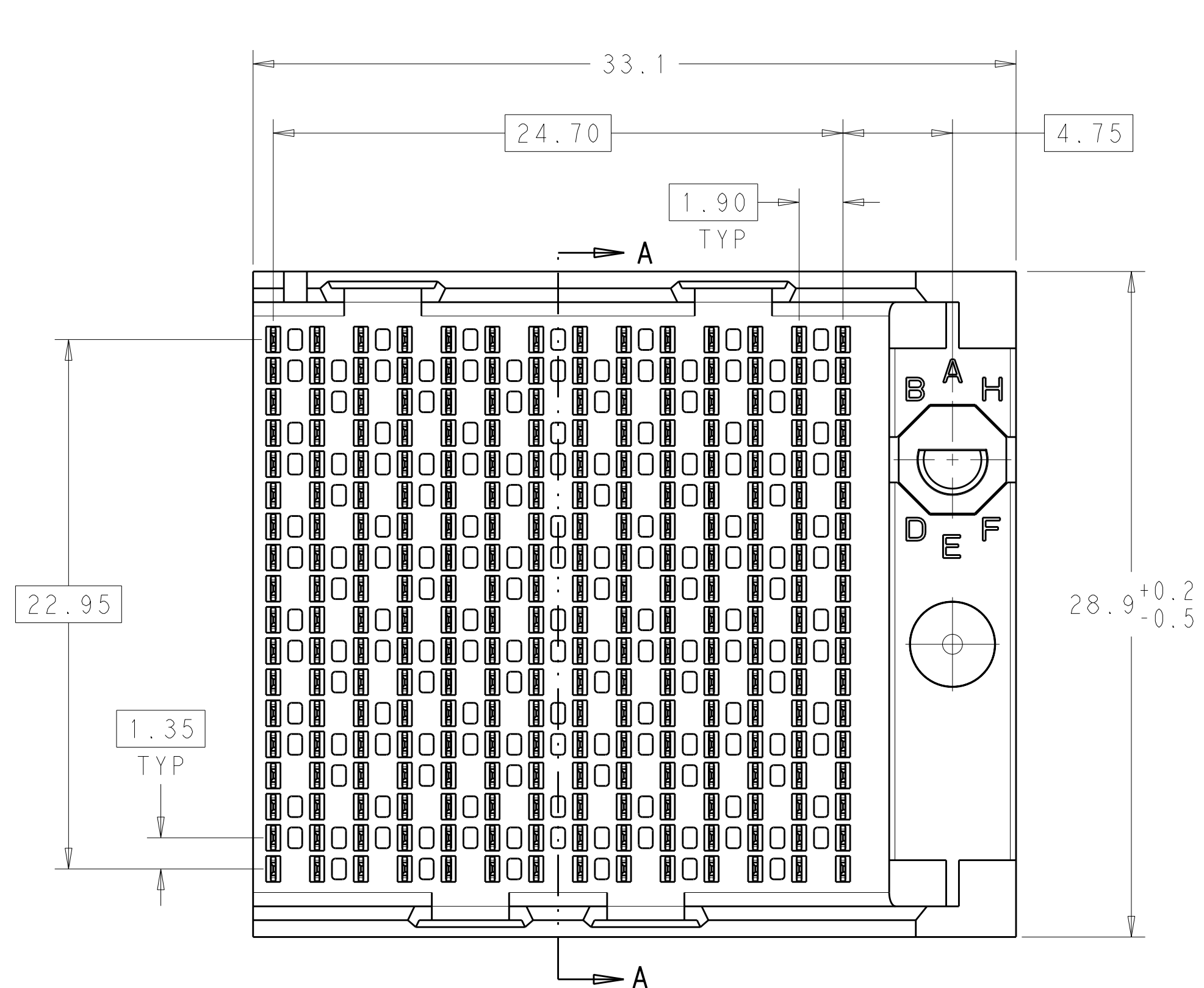
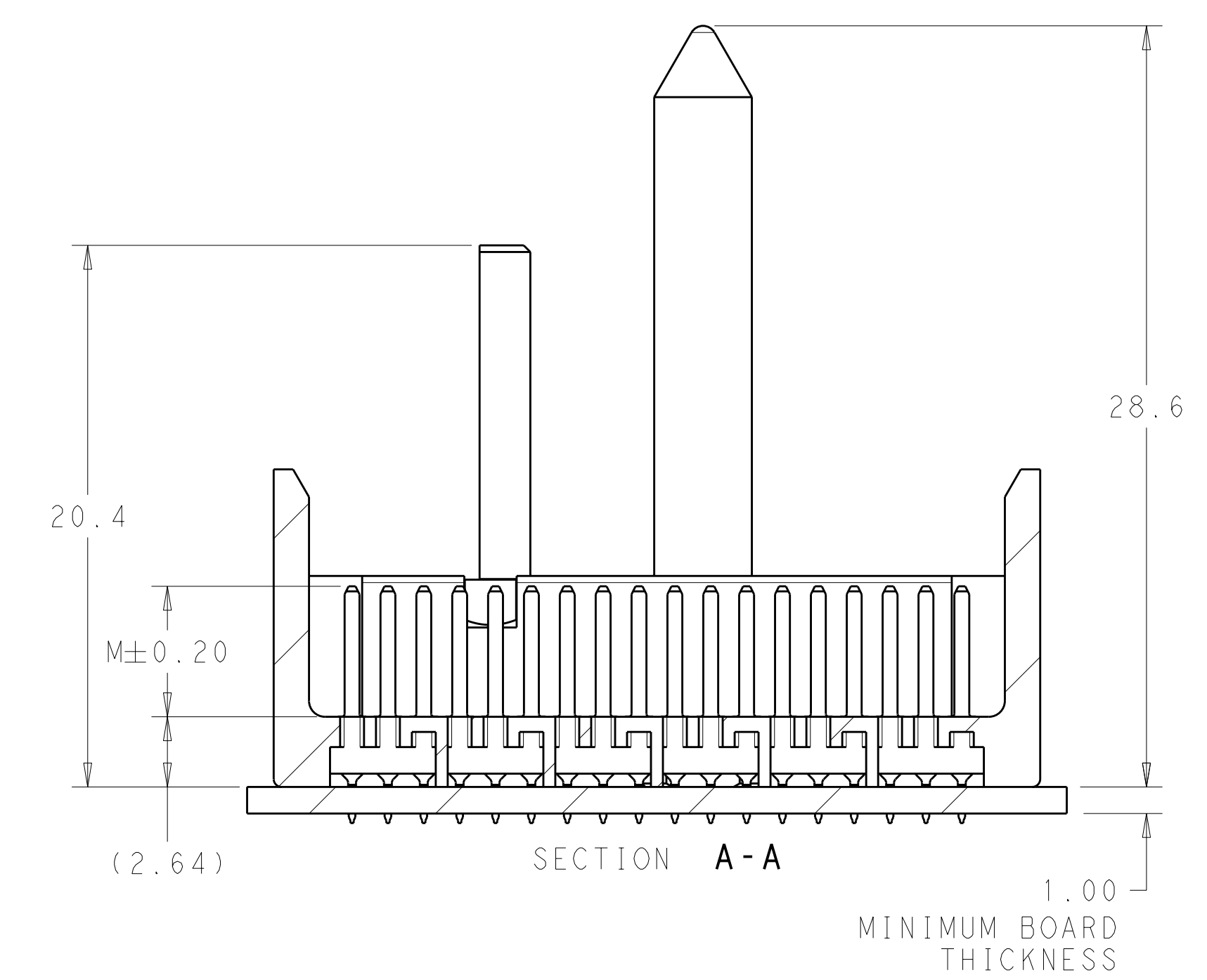
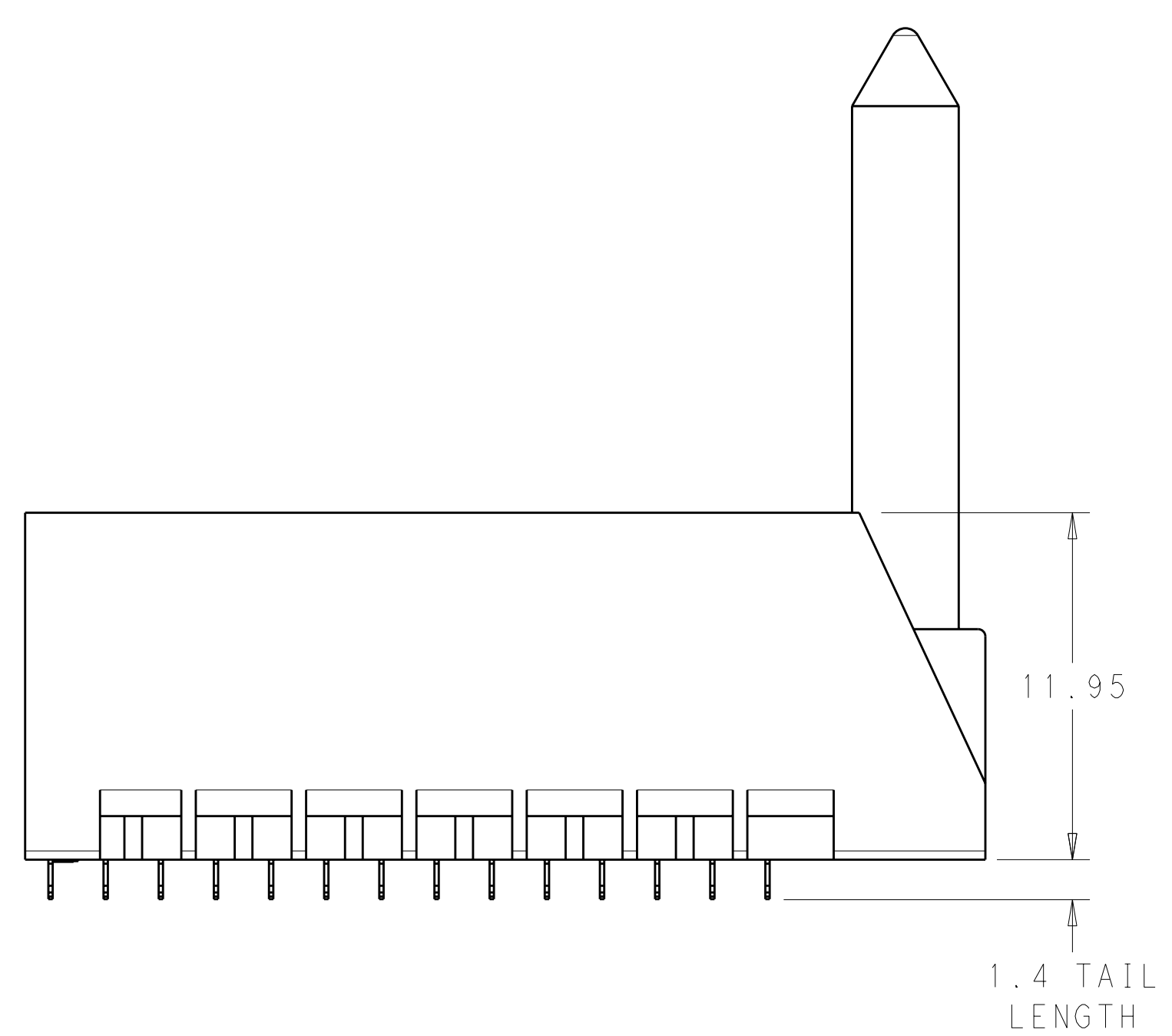
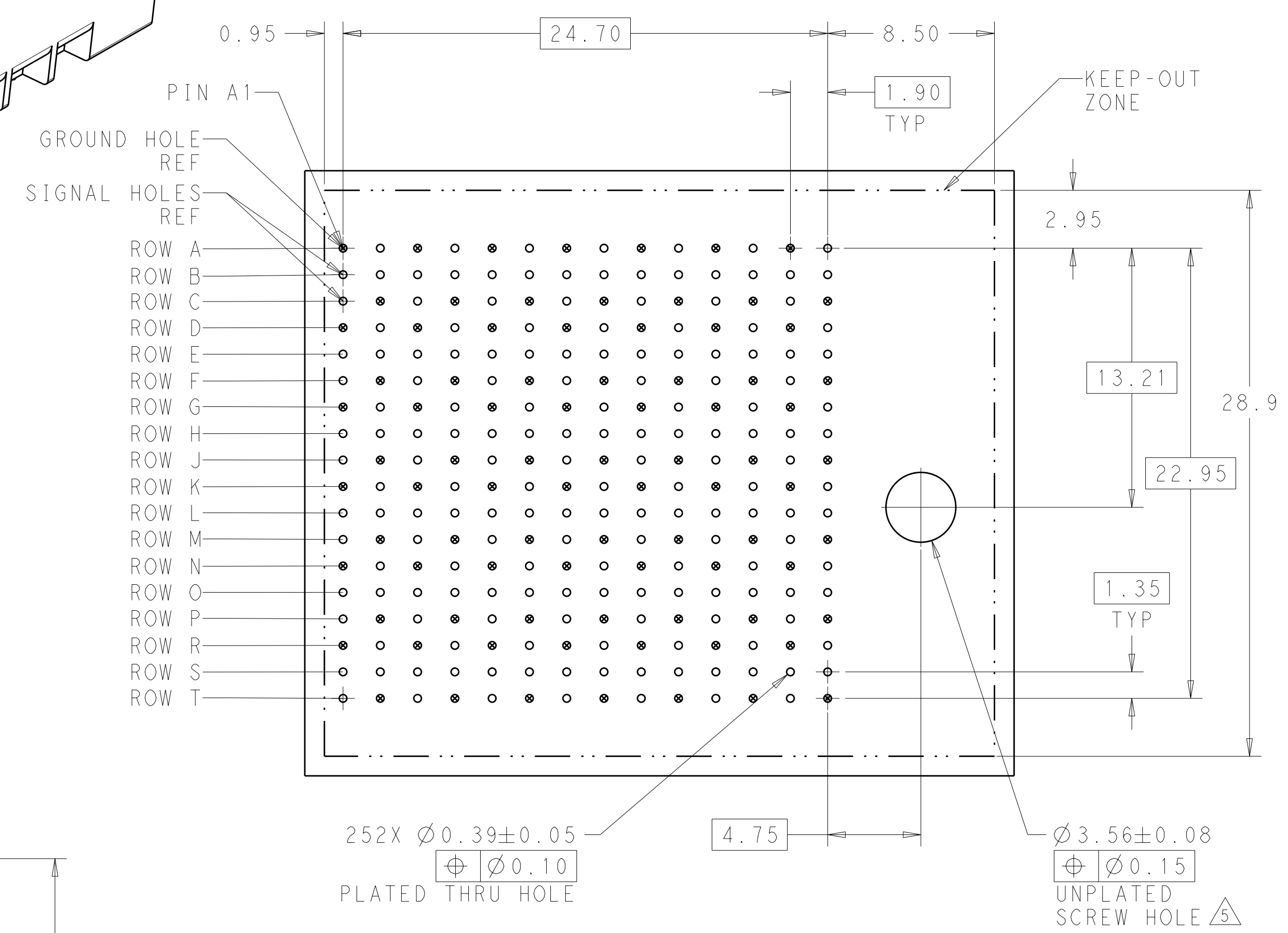


| LOC | DIST | REV | DATE | BY | APPD |
|-----|------|-----|-----------|-----|------|
| AD | 00 | 1 | 22MAR2011 | JKS | JE |
| | | 2 | 25MAR2011 | JKS | JE |



- 1 MATERIAL:
HOUSING: LCP, GLASS FILLED, UL94V-0.
TERMINALS: HIGH PERFORMANCE COPPER ALLOY.
 - 2 FINISH:
30µ" MIN GOLD IN CONTACT AREA. SELECTIVE TIN ON PCB TAILS, NICKEL OVERALL.
 - 3 FINISH:
30µ" MIN GOLD IN CONTACT AREA. SELECTIVE TIN-LEAD ON PCB TAILS, NICKEL OVERALL.
 - 4. SCREWS PACKAGED IN END OF PACKAGING TUBE.
 - 5 FOR GROUNDED GUIDE PIN USE $\phi 3.56 \pm 0.08$ PTH, $\phi 3.66$ DRILL, AND $\phi 6.5$ PAD.
 - 6. KEYING PIN SHOWN IN POSITION A. SEE KEYING CHART ON SHEET 2 FOR OTHER POSITIONS.
- OPTIONAL DEPENDING ON PART NUMBER.



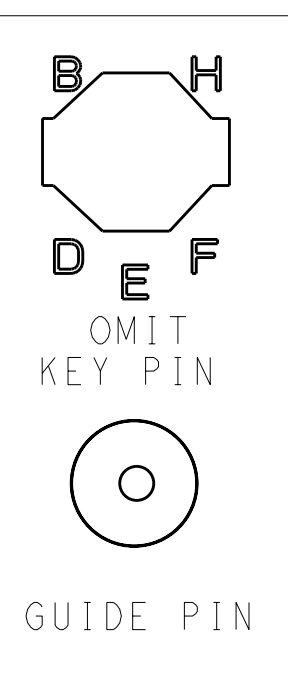
DESIGN APPROVED THIS PRINT IS
PRELIMINARY
TO FIRST PIECE APPROVAL
CONTACT PRODUCT ENGINEERING
BEFORE USING THIS PRINT

| | | | | |
|--|--|------------------|--------------|--------------|
| THIS DRAWING IS A CONTROLLED DOCUMENT. | | DWN | J. K. SHOBER | 22MAR2011 |
| DIMENSIONS: | | CHK | J. EARY | 22MAR2011 |
| mm | | APVD | J. EARY | 22MAR2011 |
| TOLERANCES UNLESS OTHERWISE SPECIFIED: | | PRODUCT SPEC | | |
| 9 PLC ± | | APPLICATION SPEC | | |
| 1 PLC ±0.25 | | SIZE | CAGE CODE | DRAWING NO |
| 3 PLC ±0.13 | | WEIGHT | | |
| 4 PLC ± | | CUSTOMER DRAWING | | |
| ANGLES ± | | SCALE | 5:1 | SHEET 1 OF 2 |
| FINISH SEE TABLE | | REV | | 2 |

PRELIMINARY
IMPACT, 6 PAIR, 14 COLUMN, HEADER
RT GUIDED, OPEN END WALL, SELECT LD
SIGNAL MODULE, 0.39 PTH

| LOC | DIST | REV | DATE | BY | APPD |
|-------------|------|-----|------|-----|------|
| AD | 00 | | | | |
| DESCRIPTION | | | DATE | DWN | APPD |
| SEE SHEET 1 | | | - | - | - |

| | | | | | | | | | | | | | | |
|-------------------|---|--------|---|---|---|---|---|---|---|----|----|----|----|----|
| 2180382-1 | | | | | | | | | | | | | | |
| PART NUMBER | | FINISH | | | | | | | | | | | | |
| CONTACT LAYOUT | | | | | | | | | | | | | | |
| A = 4.5mm (DIM M) | | | | | | | | | | | | | | |
| B = 4.9mm (DIM M) | | | | | | | | | | | | | | |
| C = 5.5mm (DIM M) | | | | | | | | | | | | | | |
| COLUMNS | | | | | | | | | | | | | | |
| | 1 | 2 | 3 | 4 | 5 | 6 | 7 | 8 | 9 | 10 | 11 | 12 | 13 | 14 |
| A | B | B | B | B | B | B | B | B | B | B | B | B | B | B |
| B | B | B | B | B | B | B | B | B | B | B | B | B | B | B |
| C | B | B | B | B | B | B | B | B | B | B | B | B | B | B |
| D | B | B | B | B | B | B | B | B | B | B | B | B | B | B |
| E | B | B | B | B | B | B | B | B | B | B | B | B | B | B |
| F | B | B | B | B | B | B | B | B | B | B | B | B | B | B |
| G | B | B | B | B | B | B | B | B | B | B | B | B | B | A |
| H | B | B | B | B | B | B | B | B | B | B | B | B | B | B |
| J | B | B | B | B | B | B | B | B | B | B | B | B | B | B |
| K | B | B | B | B | B | B | B | B | B | B | B | B | B | B |
| L | B | B | B | B | B | B | B | B | B | B | B | B | B | B |
| M | B | B | B | B | B | B | B | B | B | B | B | B | B | B |
| N | B | B | B | B | B | B | B | B | B | B | B | B | B | B |
| O | B | B | B | B | B | B | B | B | B | B | B | B | B | B |
| P | B | B | B | B | B | B | B | B | B | B | B | B | B | B |
| Q | B | B | B | B | B | B | B | B | B | B | B | B | B | B |
| R | B | B | B | B | B | B | B | B | B | B | B | B | B | A |
| S | B | B | B | B | B | B | B | B | B | B | B | B | B | B |
| T | B | B | B | B | B | B | B | B | B | B | B | B | B | B |



| KEY POSITION CHART | |
|--------------------|---|
| NONE | |
| A | E |
| B | F |
| C | G |
| D | H |

REFER TO WWW.TE.COM FOR PRODUCT AVAILABILITY

DESIGN APPROVED THIS PRINT IS
PRELIMINARY
 TO FIRST PIECE APPROVAL
 CONTACT PRODUCT ENGINEERING
 BEFORE USING THIS PRINT

| | | | | | | | | | | | | | | | |
|---|-------|----------------------------------|---|-------|-------|-------|-------|-------|---|--------|---|--------|---|--------------|---------------------------|
| THIS DRAWING IS A CONTROLLED DOCUMENT. | | DWN J. K. SHOBER 22MAR2011 | TE Connectivity | | | | | | | | | | | | |
| DIMENSIONS: mm | | CHK J. EARY 22MAR2011 | | | | | | | | | | | | | |
| TOLERANCES UNLESS OTHERWISE SPECIFIED: | | APVD J. EARY 22MAR2011 | NAME IMPACT, 6 PAIR, 14 COLUMN, HEADER RT GUIDED, OPEN END WALL, SELECT LD SIGNAL MODULE, 0.39 PTH | | | | | | | | | | | | |
| <table border="1"> <tr> <td>9 PLC</td><td>±</td></tr> <tr> <td>7 PLC</td><td>±0.25</td></tr> <tr> <td>5 PLC</td><td>±0.13</td></tr> <tr> <td>4 PLC</td><td>±</td></tr> <tr> <td>ANGLES</td><td>±</td></tr> <tr> <td>FINISH</td><td>±</td></tr> </table> | | 9 PLC | ± | 7 PLC | ±0.25 | 5 PLC | ±0.13 | 4 PLC | ± | ANGLES | ± | FINISH | ± | PRODUCT SPEC | SIZE CAGE CODE DRAWING NO |
| 9 PLC | ± | | | | | | | | | | | | | | |
| 7 PLC | ±0.25 | | | | | | | | | | | | | | |
| 5 PLC | ±0.13 | | | | | | | | | | | | | | |
| 4 PLC | ± | | | | | | | | | | | | | | |
| ANGLES | ± | | | | | | | | | | | | | | |
| FINISH | ± | | | | | | | | | | | | | | |
| MATERIAL | | APPLICATION SPEC | RESTRICTED TO | | | | | | | | | | | | |
| SEE TABLE | | WEIGHT | A100779C=2180382 | | | | | | | | | | | | |
| CUSTOMER DRAWING | | SCALE 5:1 | SHEET 2 OF 2 REV 2 | | | | | | | | | | | | |