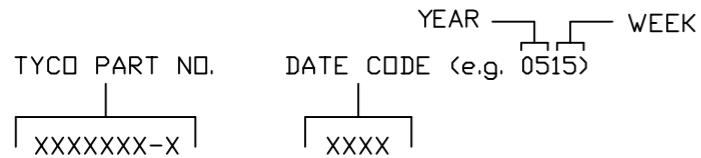


This drawing involves proprietary design rights of Tyco Electronics Corporation, and all design, manufacture, reproduction, use and sale rights regarding the same are expressly reserved. It is submitted for a specific purpose and the recipient by accepting this drawing, assumes custody and control and agrees to take reasonable precautions; (a) that this drawing will not be copied and reproduced, in whole or in part, or its contents revealed in any manner, or to any person except to meet the purpose for which it was delivered and (b) that any special features peculiar to this design will not be incorporated in other projects without the expressed written permission of Tyco Electronics Corporation.

REVISIONS			
EC	REV	DESCRIPTION	DATE
—	A	NEW RELEASE	06/15/05

NOTES: UNLESS OTHERWISE SPECIFIED.

- PART NUMBER CHANGES AND OR DESIGN CHANGES AFFECTING ITEM INTERCHANGEABILITY REQUIRE PRIOR ELCON APPROVAL AND AUTHORIZATION BY REVISION TO THIS DRAWING.
- MATERIALS:
  - INSULATORS: THERMOPLASTIC, GLASS REINFORCED, COLOR BLACK. UL94V-0 FLAMMABILITY RATED.
  - POWER CONTACTS: PHOSPHOR BRONZE ALLOY, COPPER ALLOY.
  - CROWN BANDS: BERYLLIUM COPPER ALLOY.
- FINISHES:
  - CONTACTS: GOLD PLATED PER MIL-G-45204 TYPE II, CLASS 0, .000030" MIN. THK, OVER NICKEL PER QQ-N-290, CLASS 2, .000040" MIN. THICKNESS.
  - TERMINALS: TIN PLATED, MATTE FINISH .000040" MIN. THICKNESS.
- ITEMS PROVIDED TO THIS SPECIFICATION TO BE PERMANENTLY IDENTIFIED PER THE FOLLOWING IDENTIFIER:



5. MODULE INFORMATION

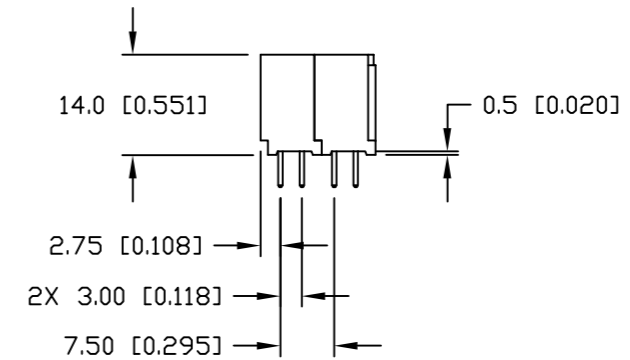
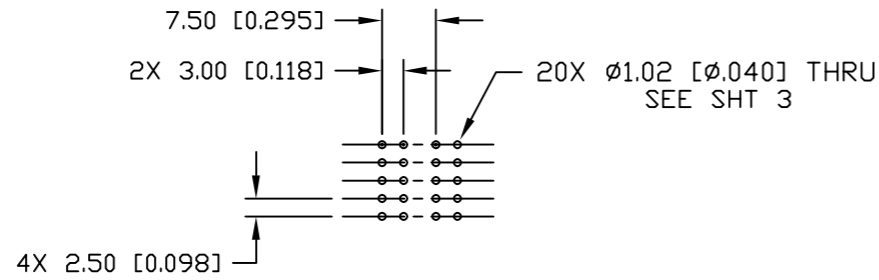
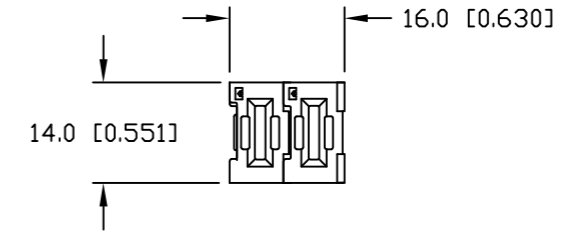
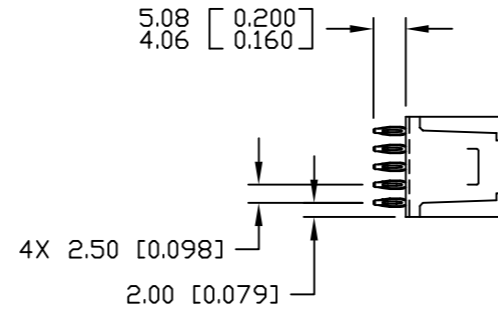
CONNECTOR	TYCO PART NUMBER	CATALOG MODULE #	QTY	SIZE NO.	CONTACT QTY	MATING PIN	MAX. CURRENT (PER CONTACT)	CONTACT SPACING	VOLTAGE RATING*
SOCKET	1766689-1	FP0200	2	8	2	1.25 X 7.00 [.049 X .276]	35 AMPERES	7.50 [2953]	250 VOLTS

\*IAW IEC-950

<p>THIRD ANGLE PROJECTION</p> <p>UNLESS OTHERWISE SPECIFIED DIMENSIONS ARE IN METRIC [INCHES]</p> <p>TOLERANCES</p> <p>ANGLES ± .5°</p> <p>DECIMALS</p> <p>.XX ± .25 [.010]</p> <p>.X ± .5 [.020]</p>	<p>MM OR MM [INCH]</p> <p>INCH</p>	<p>DRAWN</p> <p>R. F. A.</p>	<p>DATE</p> <p>06/15/05</p>	<p><b>tyco</b> Tyco Electronics Corporation <b>ELCON</b></p> <p><b>Electronics</b> Menlo Park, Ca 94025</p>		
	<p>CHECKED</p>	<p>APPROVED</p>	<p>TITLE</p> <p>CONNECTOR, SOCKET, STRAIGHT COMPLIANT TAILS, FLATPAQ PN 1766689-1</p>			
	<p>APPROVED</p>	<p>APPROVED</p>	<p>D. CHAU</p> <p>06/16/05</p>	<p>SIZE</p> <p>B</p>	<p>DWG NUMBER</p> <p>C = 1766689</p>	<p>REV.</p> <p>A</p>
	<p>M. ALIM</p> <p>06/16/05</p>	<p>ACAD FILE NUMBER</p> <p>C1766689A.DWG</p>		<p>DWG SCALE</p> <p>1 = 1</p>	<p>SH 1 OF 3</p>	

This drawing involves proprietary design rights of Tyco Electronics Corporation, and all design, manufacture, reproduction, use and sale rights regarding the same are expressly reserved. It is submitted for a specific purpose and the recipient by accepting this drawing, assumes custody and control and agrees to take reasonable precautions; (a) that this drawing will not be copied and reproduced, in whole or in part, or its contents revealed in any manner, or to any person except to meet the purpose for which it was delivered and (b) that any special features peculiar to this design will not be incorporated in other projects without the expressed written permission of Tyco Electronics Corporation.

REVISIONS			
EC	REV	DESCRIPTION	DATE
		SEE SHEET 1	



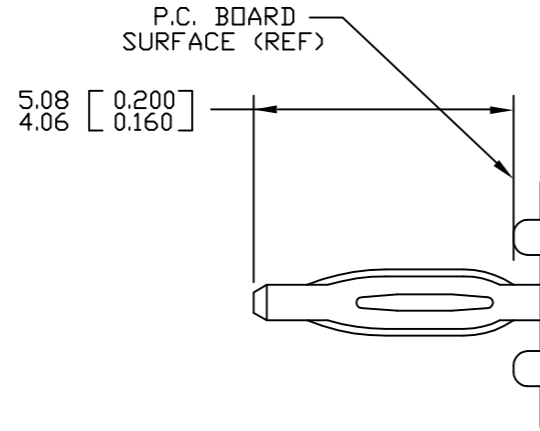
PRINTED CIRCUIT LAYOUT

← MM INCH → OR MM [INCH]  THIRD ANGLE PROJECTION UNLESS OTHERWISE SPECIFIED DIMENSIONS ARE IN METRIC [INCHES] TOLERANCES ANGLES ± .5° DECIMALS .XX ± .25 [.010] .X ± .5 [.020]	DRAWN R. F. A.	DATE 06/15/05	 Tyco Electronics Corporation Menlo Park, Ca 94025 	
	CHECKED	APPROVED		TITLE CONNECTOR, SOCKET, STRAIGHT COMPLIANT TAILS, FLATPAQ PN 1766689-1
	APPROVED	APPROVED D. CHAU	06/16/05	SIZE B
	DCA APPROVED M. ALIM	06/16/05	DWG NUMBER C = 1766689	REV. A
ACAD FILE NUMBER C1766689A.DWG		DWG SCALE 1=1	SH 2 OF 3	

This drawing involves proprietary design rights of Tyco Electronics Corporation, and all design, manufacture, reproduction, use and sale rights regarding the same are expressly reserved. It is submitted for a specific purpose and the recipient by accepting this drawing, assumes custody and control and agrees to take reasonable precautions; (a) that this drawing will not be copied and reproduced, in whole or in part, or its contents revealed in any manner, or to any person except to meet the purpose for which it was delivered and (b) that any special features peculiar to this design will not be incorporated in other projects without the expressed written permission of Tyco Electronics Corporation.

REVISIONS

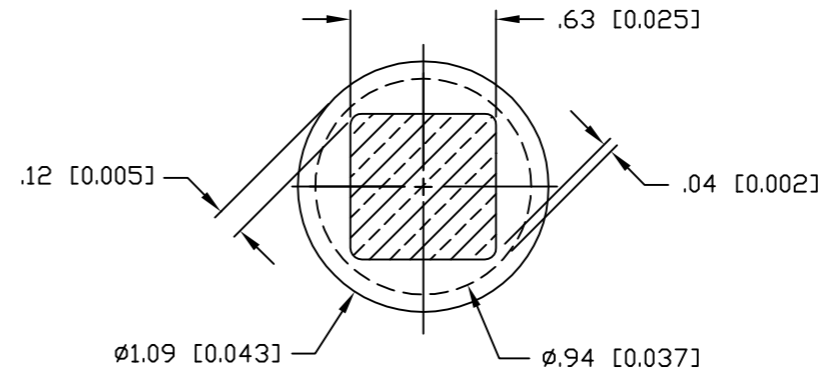
EC	REV	DESCRIPTION	DATE
		SEE SHEET 1	



COMPLIANT PIN DETAIL

INSERTION/EXTRACTION FORCES

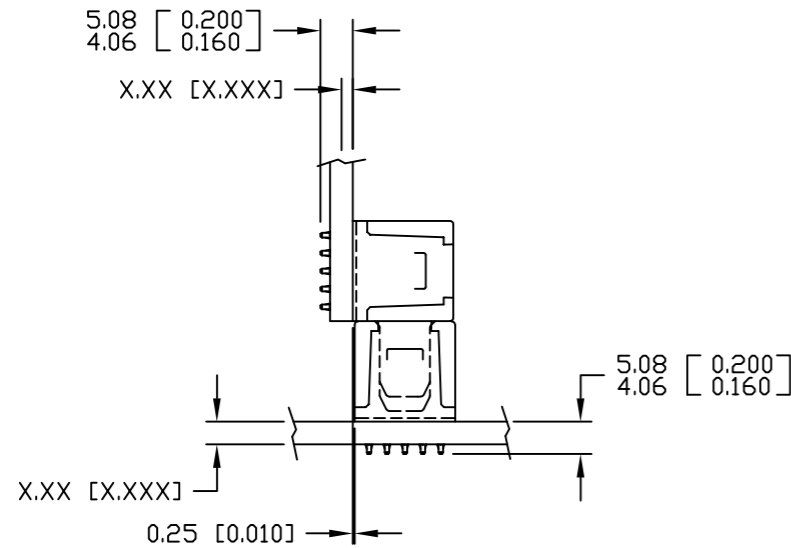
MAXIMUM PUSH-IN: 133.3N PER PIN  
[30 LBS]  
MINIMUM PUSH-OUT: 44.4N PER PIN  
[10 LBS]



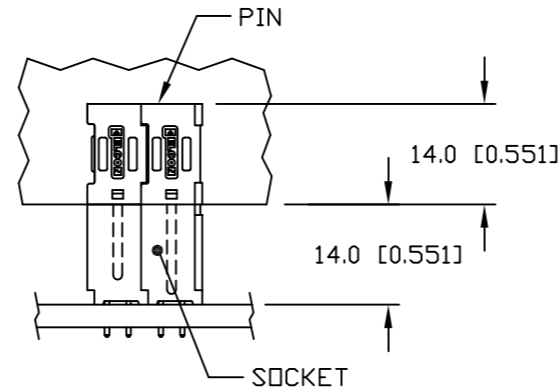
SOLDER TERMINATION AREA

RECOMMENDED PRINTED CIRCUIT HOLE

FINISHED HOLE:  $\phi 1.02 [0.040] \pm .08 [0.003]$   
DRILLED HOLE:  $\phi 1.15 [0.0453] \pm .013 [0.0005]$   
COPPER PLATE: .025 [0.0010] MINIMUM (PER SURFACE)  
TIN PLATE: .008 [0.0003] MINIMUM (PER SURFACE)



MATED CONDITION



<p>← MM OR MM [INCH]</p> <p>THIRD ANGLE PROJECTION</p> <p>UNLESS OTHERWISE SPECIFIED DIMENSIONS ARE IN METRIC [INCHES]</p> <p>TOLERANCES</p> <p>ANGLES <math>\pm .5^\circ</math></p> <p>DECIMALS</p> <p>.XX <math>\pm .25 [0.010]</math></p> <p>.X <math>\pm .5 [0.020]</math></p>	<p>DRAWN</p> <p>R. F. A.</p>	<p>DATE</p> <p>06/15/05</p>	<p><b>tyco</b> Tyco Electronics Corporation <b>ELCON</b></p> <p>Menlo Park, Ca 94025</p>		
	<p>CHECKED</p>		<p>TITLE</p> <p>USER INFORMATION COMPLIANT TAIL TERMINATION AND MATED CONDITION</p>		
	<p>APPROVED</p>		<p>SIZE</p> <p>B</p>	<p>DWG NUMBER</p> <p>C = 1766689</p>	<p>REV.</p> <p>A</p>
	<p>APPROVED</p> <p>D. CHAU</p> <p>06/16/05</p> <p>DCA APPROVED</p> <p>M. ALIM</p> <p>06/16/05</p> <p>ACAD FILE NUMBER C1766689A.DWG</p>	<p>DATE</p> <p>06/16/05</p>	<p>DWG SCALE</p> <p>1 = 1</p>	<p>SH</p> <p>3 OF 3</p>	