

4

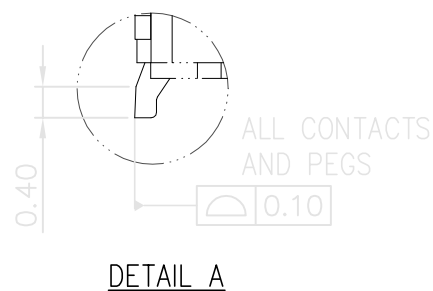
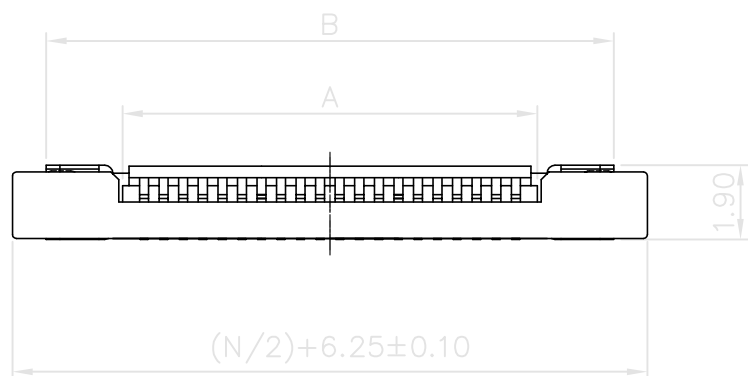
3

2

1

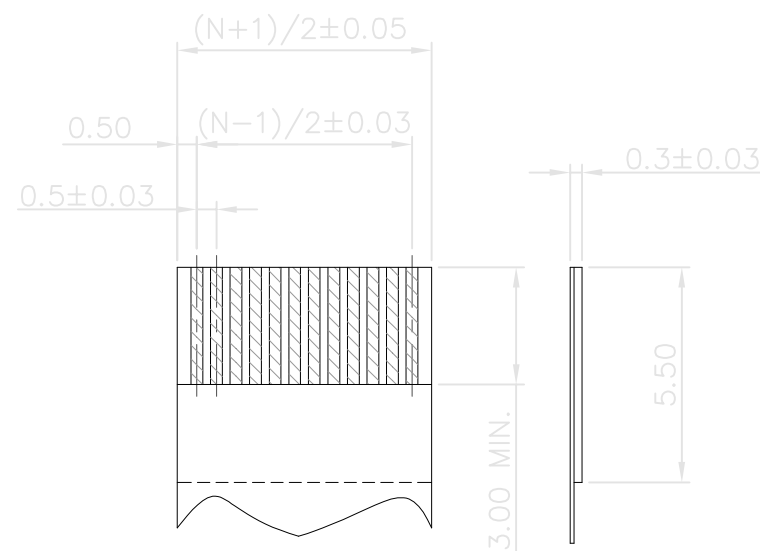
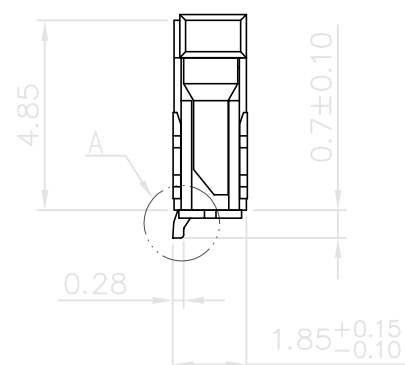
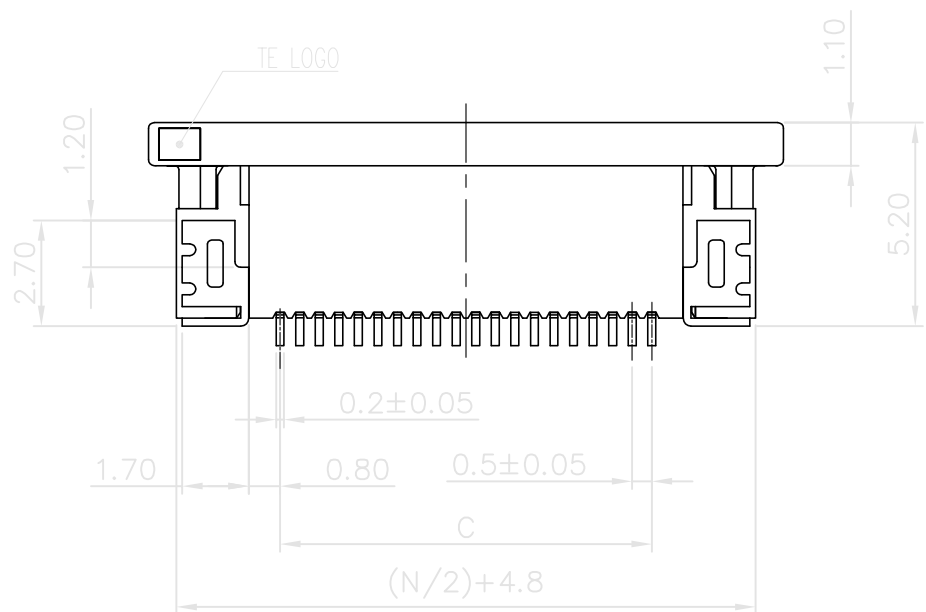
THIS DRAWING IS UNPUBLISHED. RELEASED FOR PUBLICATION  
© COPYRIGHT BY TYCO ELECTRONICS CORPORATION. ALL RIGHTS RESERVED.

LOC	DIST	REVISIONS					
		P	LTR	DESCRIPTION	DATE	DWN	APVD
DW	-	D		ECR-16-000235	18FEB16	HX	WK

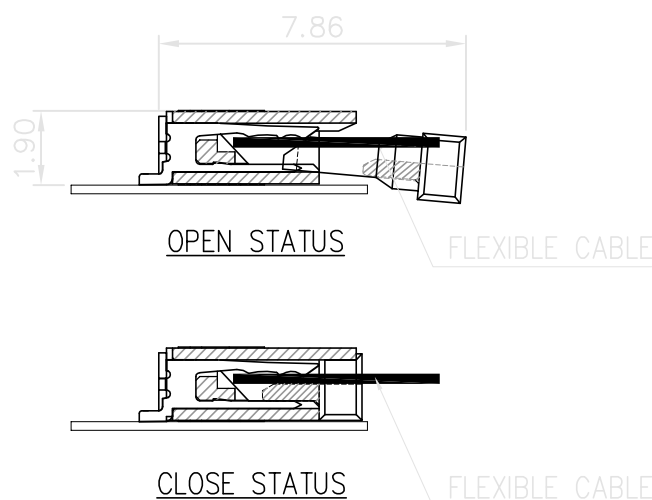
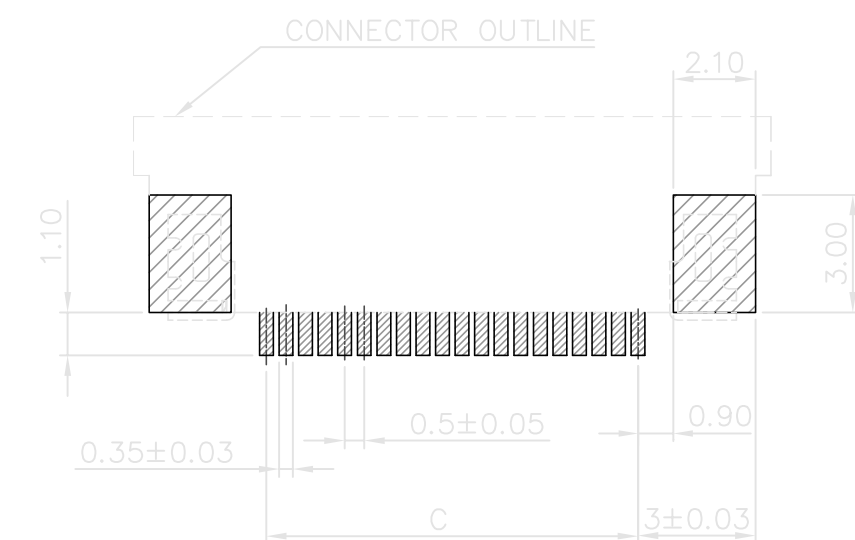


NOTES:

- MATERIAL:**  
HOUSING: PA6T, 30% GF, UL94 V-0, NATURAL COLOR.  
ACTUATOR: PPS, 40% GF, UL94 V-0, BLACK COLOR.  
CONTACTS: PHOSPHOR BRONZE.  
PEGS: BRASS.
- FINISH:**  
CONTACTS: GOLD FLASH OVER 1.27µm [50µ"] MIN. NICKEL ON ENTIRE CONTACT.  
PEGS: 2.54µm [100µ"] MIN. MATTE-TIN OVER 1.27µm [50µ"] MIN. NICKEL.
- REFLOW SOLDER CAPABLE TO 260°C PER TEC-109-201, METHOD B, CONDITION B.
- SUBSTANCE RESTRICTIONS FOR LOW HALOGEN (BY WEIGHT):**
  - BROMINE (Br) ≤ 900 PPM (0.09%)
  - CHLORINE (Cl) ≤ 900 PPM (0.09%)
  - TOTAL (Cl) + (Br) ≤ 1500 PPM (0.15%)



OBSOLETE	26.0	31.01	27.10	53	5-1775322-3
OBSOLETE	24.5	29.51	25.60	50	5-1775322-0
OBSOLETE	23.5	28.51	24.60	48	4-1775322-8
OBSOLETE	22.5	27.51	23.60	46	4-1775322-6
OBSOLETE	22.0	27.01	23.10	45	4-1775322-5
OBSOLETE	19.5	24.51	20.60	40	4-1775322-0
OBSOLETE	18.0	23.01	19.10	37	3-1775322-7
OBSOLETE	17.5	22.51	18.60	36	3-1775322-6
OBSOLETE	17.0	22.01	18.10	35	3-1775322-5
OBSOLETE	16.5	21.51	17.60	34	3-1775322-4
OBSOLETE	14.5	19.51	15.60	30	3-1775322-0
OBSOLETE	13.5	18.51	14.60	28	2-1775322-8
OBSOLETE	13.0	18.01	14.10	27	2-1775322-7
OBSOLETE	12.5	17.51	13.60	26	2-1775322-6
OBSOLETE	12.0	17.01	13.10	25	2-1775322-5
OBSOLETE	11.5	16.51	12.60	24	2-1775322-4
OBSOLETE	10.5	15.51	11.60	22	2-1775322-2
OBSOLETE	8.5	13.51	9.60	18	1-1775322-8
OBSOLETE	7.0	12.01	8.10	15	1-1775322-5
OBSOLETE	6.5	11.51	7.60	14	1-1775322-4
OBSOLETE	6.0	11.01	7.10	13	1-1775322-3
OBSOLETE	5.5	10.51	6.60	12	1-1775322-2
OBSOLETE	4.5	9.51	5.60	10	1-1775322-0
OBSOLETE	4.0	9.01	5.10	09	1775322-9
OBSOLETE	3.5	8.51	4.60	08	1775322-8
OBSOLETE	2.5	7.51	3.60	06	1775322-6
OBSOLETE	2.0	7.01	3.10	05	1775322-5



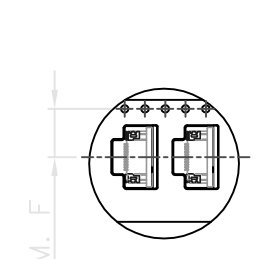
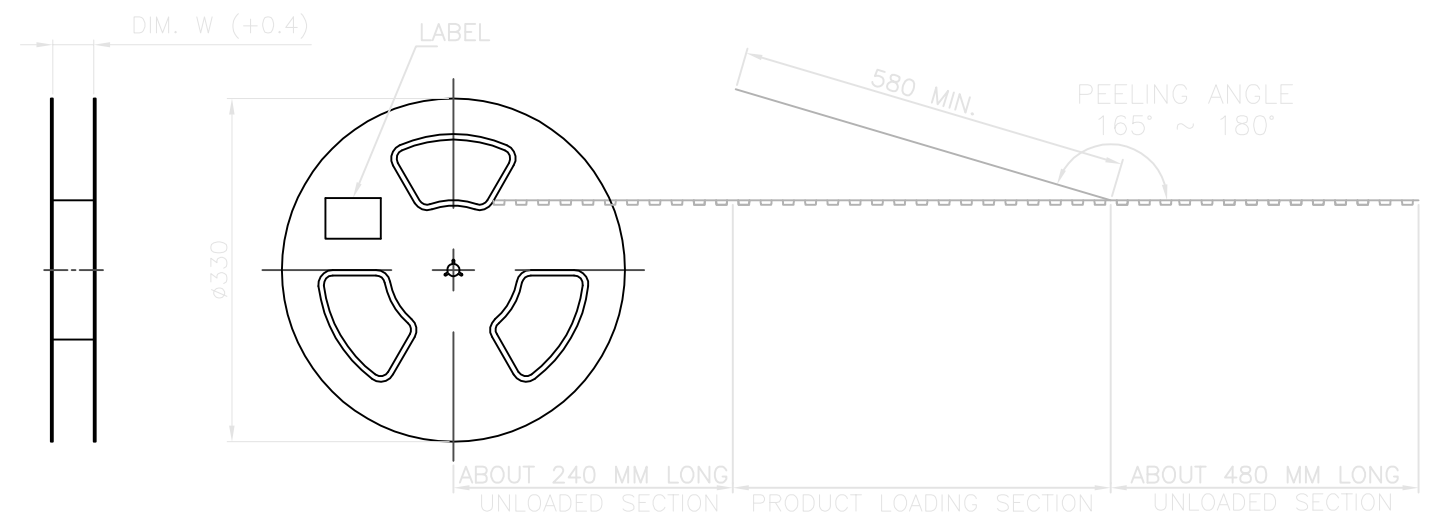
APPLICABLE FPC RECOMMENDED  
(N = NO. OF CONTACTS)

RECOMMENDED PCB LAYOUT  
TOLERANCES: ±0.05

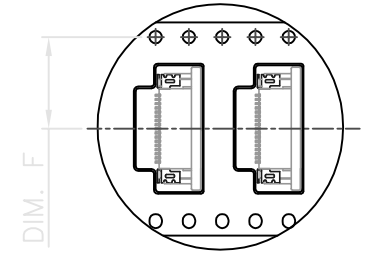
THIS DRAWING IS A CONTROLLED DOCUMENT.		DWN	A. WU	16JUL2007		TE Connectivity	
		CHK	S. HOU	16JUL2007		NAME	
		APVD	W.J. KE	16JUL2007		PRODUCT SPEC	
		APPLICATION SPEC				108-57364	
DIMENSIONS: MM		TOLERANCES UNLESS OTHERWISE SPECIFIED:			SIZE		
0 PLC ± -		1 PLC ± 0.3			CAGE CODE		
2 PLC ± 0.2		3 PLC ± -			DRAWING NO		
3 PLC ± -		4 PLC ± -			RESTRICTED TO		
4 PLC ± 3°		ANGLES ± 3°			A300779		
MATERIAL SEE NOTE		FINISH SEE NOTE			C=1775322		
		WEIGHT 0.185g GRAMS			CUSTOMER DRAWING		
		SCALE -			SHEET 1 of 2		
		REV D					

THIS DRAWING IS UNPUBLISHED. RELEASED FOR PUBLICATION  
 © COPYRIGHT BY TYCO ELECTRONICS CORPORATION. ALL RIGHTS RESERVED.

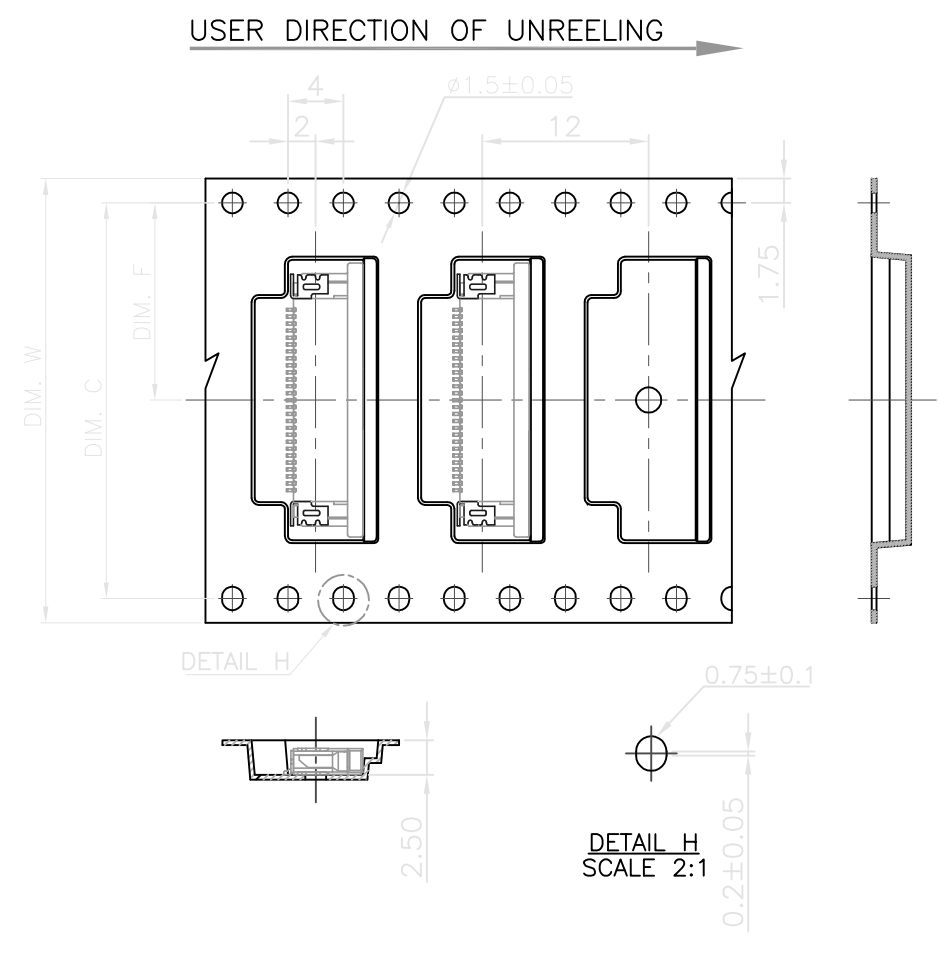
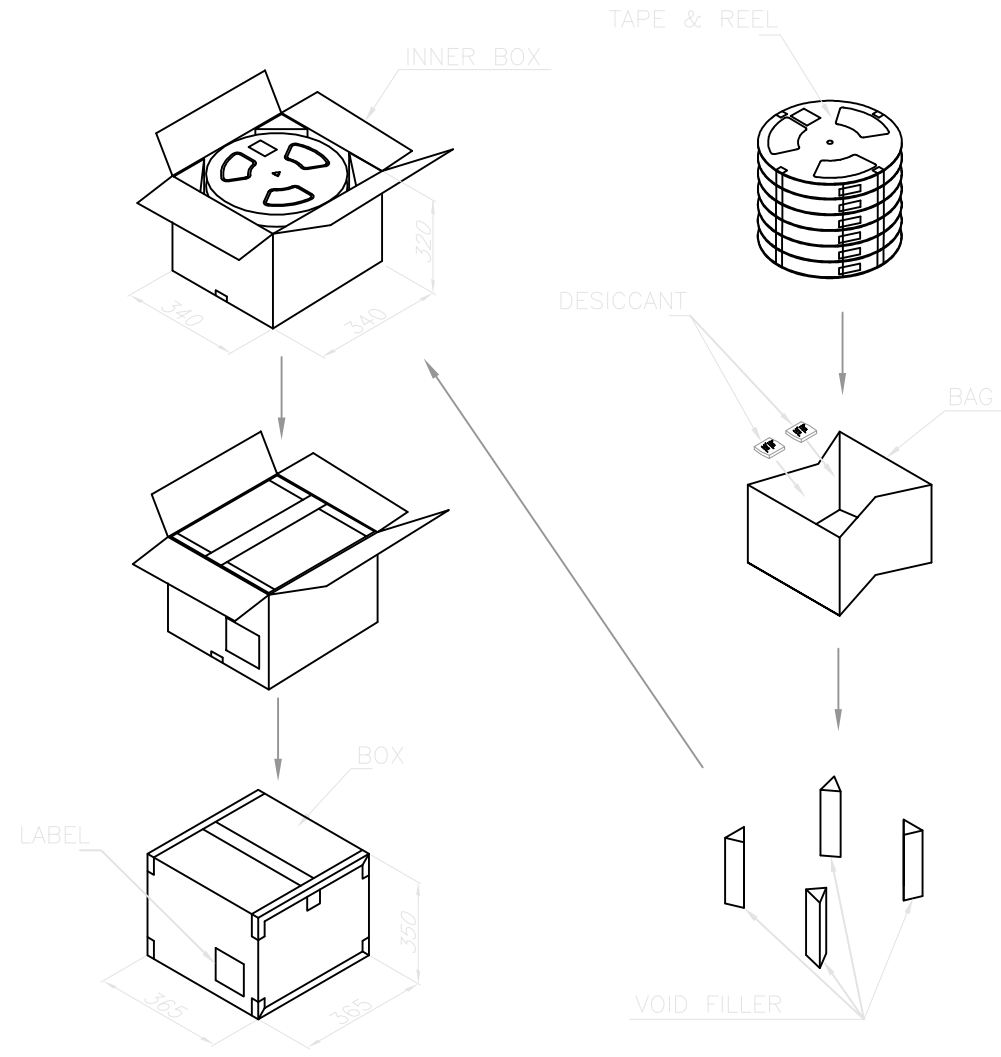
LOC	DIST	REVISIONS					
DW	-	P	LTR	DESCRIPTION	DATE	DWN	APVD
				SEE SHEET 1.			



FOR 6 ~ 12 CONTACTS  
SINGLE ROW



FOR 17 ~ 53 CONTACTS  
DUAL ROW



QUANTITY	PCS/TAPE	REELS/BOX	DIM C	DIM F	DIM W	G/W (Kg)	N/W (Kg)	NO. OF CONTACTS					
12000 PCS	2000	6	40.4	20.2	44	12.5	8.3	53					
						12.2	8.0	50					
						12.0	7.8	48					
						11.8	7.6	46					
						11.7	7.5	45					
						11.2	7.0	40					
						10.9	6.7	37					
						10.8	6.6	36					
						10.7	6.5	35					
						10.6	6.4	34					
16000 PCS	2000	8	28.4	14.2	32	10.2	6.0	30					
						10.0	5.8	28					
						9.9	5.7	27					
						9.8	5.6	26					
						9.7	5.5	25					
						9.6	5.4	24					
						9.4	5.2	22					
						9.0	4.8	18					
						20000 PCS	2000	10	11.5	24	8.7	4.4	15
											8.6	4.2	14
8.5	4.0	13											
8.4	3.8	12											
8.2	3.4	10											
8.1	3.2	9											
8.0	3.0	8											
7.7	2.6	6											
7.6	2.4	5											

- NOTES:
- MATERIAL:  
 BOX: FIBREBOARD, CORRUGATED, DOUBLE WALL.  
 COVER TAPE: PET, TRANSPARENT COLOR.  
 CARRIER TAPE: POLYSTYRENES, BLACK COLOR.  
 REEL: HIPS, BLUE COLOR.  
 BAG: POLYETHYLENES, TRANSPARENT COLOR.
  - EACH BAG SHALL BE INCLUDED DESICCANT.
  - PEELING STRENGTH: 0.1 ~ 1.3 N (10 ~ 130 GRAMS).
  - PEELING SPEED: 300 mm/min.

THIS DRAWING IS A CONTROLLED DOCUMENT.

DIMENSIONS: MM	TOLERANCES UNLESS OTHERWISE SPECIFIED:	DWN A. WU 16JUL2007	 TE Connectivity
	0 PLC ± - 1 PLC ± - 2 PLC ± - 3 PLC ± - 4 PLC ± - ANGLES ± -	CHK S. HOU 16JUL2007	
		APVD W.J. KE 16JUL2007	
		PRODUCT SPEC	
MATERIAL	FINISH	APPLICATION SPEC	NAME
		WEIGHT	0.5 PITCH FPC CONNECTOR, ZIF, TOP CONTACT

SIZE	CAGE CODE	DRAWING NO	RESTRICTED TO
A3	00779	C=1775322	-

CUSTOMER DRAWING SCALE - SHEET 2 OF 2 REV D