

80 mm sq.

San Ace 80



General Specifications

- Material Frame: Plastics (Flammability: UL94V-0),
Impeller: Plastics (Flammability: UL94V-0)
- Expected Life Refer to specifications (L10:Survival rate:90% at 60°C ,
rated voltage, and continuously run in a free air state)
- Lead Wire ⊕red ⊖black (Sensor) yellow
- Storage Temperature -30°C to +70°C (Non-condensing)

80×80×38mm (Mass : 170g) **9G type**

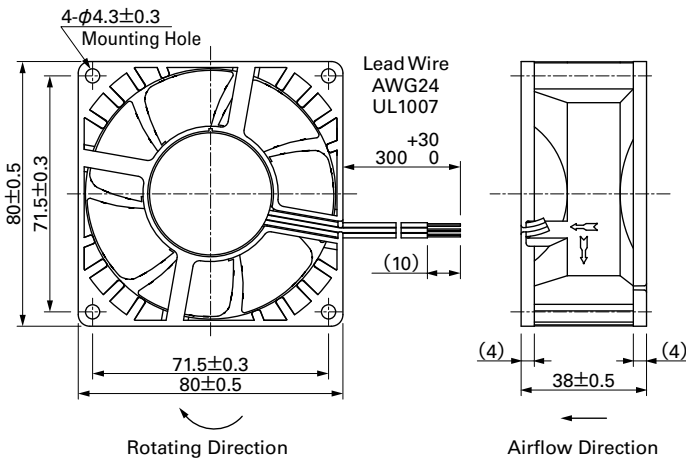
Specifications

The following nos. **have pulse sensors and ribs**. For ribless, append "1" to the model no.

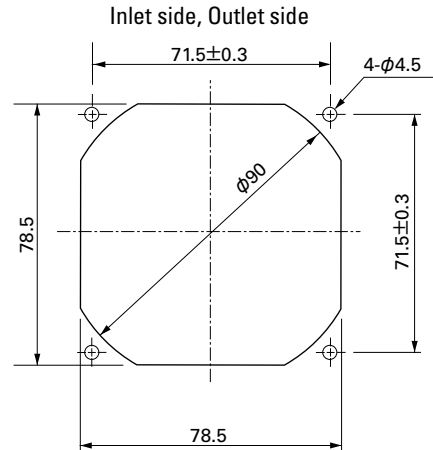
Model No.	Rated Voltage [V]	Operating Voltage Range [V]	Rated Current [A]	Rated Input [W]	Rated Speed [min ⁻¹]	Max. Airflow [m ³ /min] [CFM]	Max. Static Pressure [Pa] [inchH ₂ O]	SPL [dB(A)]	Operating Temperature [°C]	Expected Life [h]
9G0812K101	12	10.8 to 13.2	1.8	21.6	7,800	3.10 107.3	310 1.285	58	-20 to +60	40,000/60°C
9G0812G101		7 to 13.8	1.1	13.2	6,300	2.55 90	211 0.847	51		
9G0812H101			0.9	10.8	5,700	2.28 80	171 0.687	49		
9G0824G101	24	20.4 to 27.6	0.56	13.4	6,300	2.55 90	211 0.847	51	-20 to +70	40,000/60°C
9G0824H101			0.42	10.1	5,700	2.28 80	171 0.687	49		
9G0848G101	48	40.8 to 55.2	0.27	13.0	6,300	2.55 90	211 0.847	51	-20 to +70	40,000/60°C
9G0848H101			0.20	9.6	5,700	2.28 80	171 0.687	49		

Other sensor specifications are available as options. Please refer to the index (p. 502).

Dimensions (unit: mm) (With ribs)



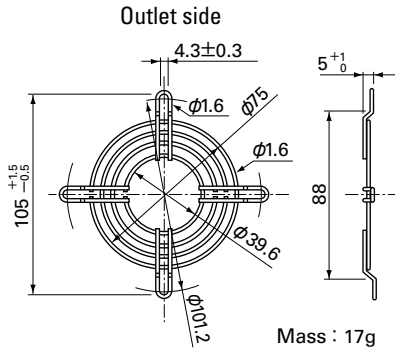
Reference Dimensions of Mounting Holes and Vent Opening (unit: mm)



Options (unit: mm)

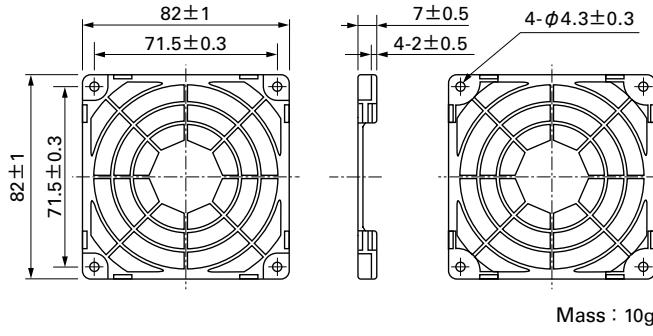
Finger Guards

Model : 109-049C Surface treatment : Nickel-chrome plating (silver) Color : Nickel-chrome plating (silver)



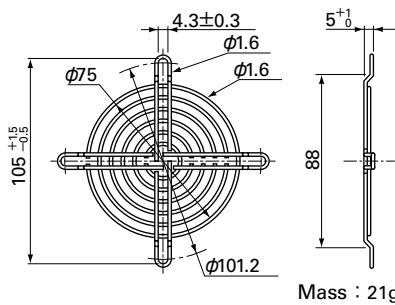
Resin Finger Guards

Model : 109-1002G



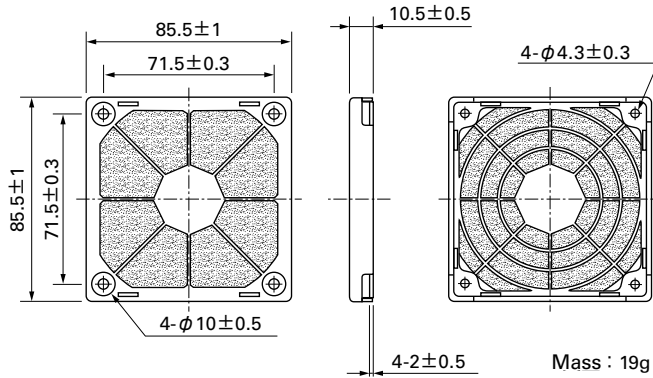
Model : 109-049E Surface treatment : Nickel-chrome plating (silver) Color : Nickel-chrome plating (silver)
 : 109-049H : Cation electropainting (black)

Inlet side, Outlet side

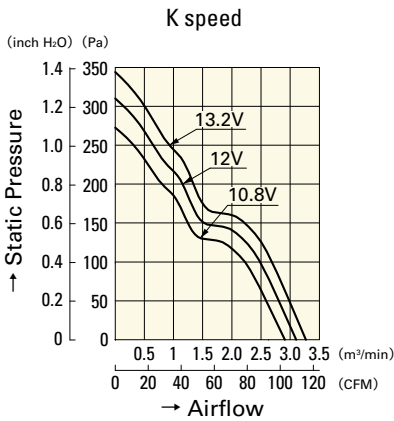


Resin Filter Kits

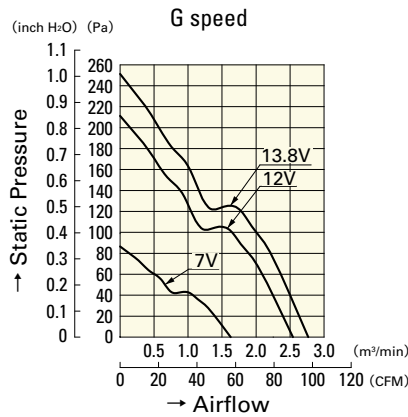
Model : 109-1002F13 (13PPI), 109-1002F20 (20PPI)
 : 109-1002F30 (30PPI), 109-1002F40 (40PPI)



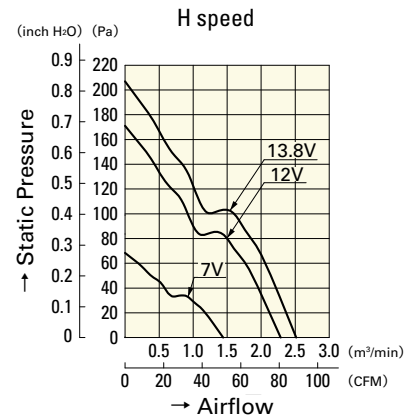
Airflow - Static Pressure Characteristics



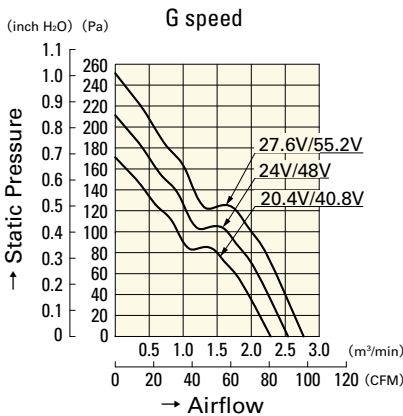
9G0812K101



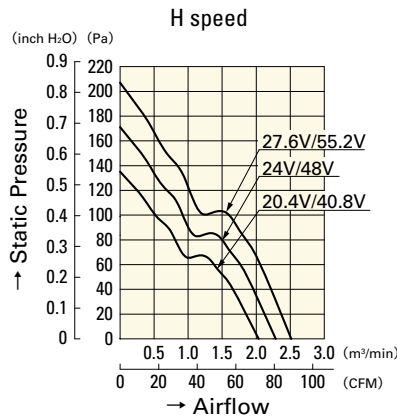
9G0812G101



9G0812H101



9G0824G101
9G0848G101



9G0824H101
9G0848H101