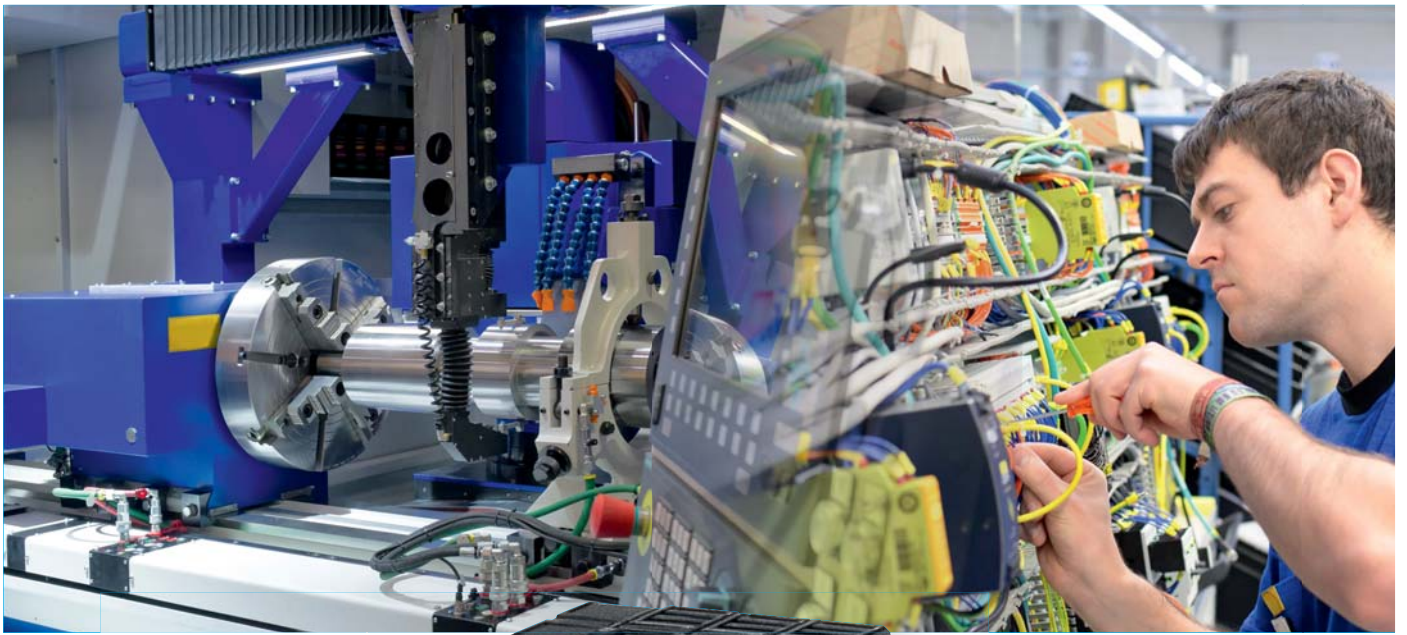


Electronic circuit protector REX12

A neat and smart connection



Your DC 24 V protection

 **IO-Link**

Electronic circuit protector REX12

A neat and smart connection

REX12, the new generation of electronic overcurrent protection, combines flexibility and compact design upon request with industrial communication via the point-to-point connection **IO link**. The **REX12** product range offers the suitable combination of devices, depending on the application and requirements. The **REX12** exactly meets the technical and economic requirements of the machine and panel builders. No additional accessories are required when connecting the individual components electrically and mechanically. **This helps save time and money!**

The product group consists of the **EM12-T** supply modules with integral group error signalling by means of a relay contact and the **EM12D-T IO Link**

device, which transmits a great amount of diagnostic information to the superordinate **IO link master** in addition to the supply. It also comprises the single channel and double channel **REX12-T** electronic circuit protectors or the smart version **REX12D-T**, both types featuring a modular design to be mounted side by side.

The 12.5 mm wide modules feature push-in technology for wiring with press release buttons and allow no-tool time-saving and maintenance-free wiring. The supply modules are designed for DC 24 V and 40 A. They accommodate max. 10 mm² with wire end ferrule as a positive supply. On the load output side the circuit protector can be wired with 2.5 mm².

Your benefits

- **Saves cost** – no further accessories required
- **Saves 50 % time** – through innovative and flexible mounting and connection technology
- **Saves space** – with a width of only **12,5 mm for two channels**
- **Provides flexibility** – through ease of mounting, disassembly, modular design and convenient adjustment
- **Increases availability of machinery** – through high transparency and remote diagnostics

Innovative connection technology:

Snap on devices ... close the connector arm ... done!



EM12-T
supply module

REX12-TA1
single channel
circuit protector

REX12-TA2
double channel
circuit protector

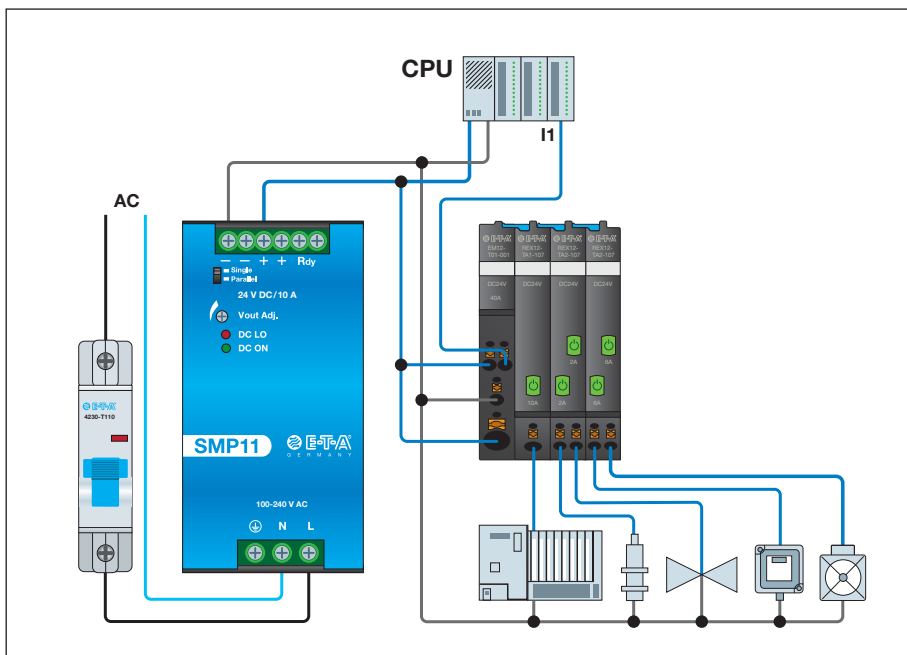
»Clever« DC 24 V protection

Conclusion

The **REX12** circuit protector allows the customer to build up an economically designed DC 24 V protection system with side-by-side mountable circuit protectors, requiring only **minimum wiring efforts** and **no additional connection accessories** whatsoever.

REX12 REX12 R

Your clever DC 24 V protection



The single channel circuit protectors are available in all standard current ratings from 1 A to 10 A. The double channel models are available in the current ratings 2 A, 4 A and 6 A. This helps protect not only powerful loads, but also sensitive loads and smallest cable cross sections. **Failures can clearly be detected and remedied.**

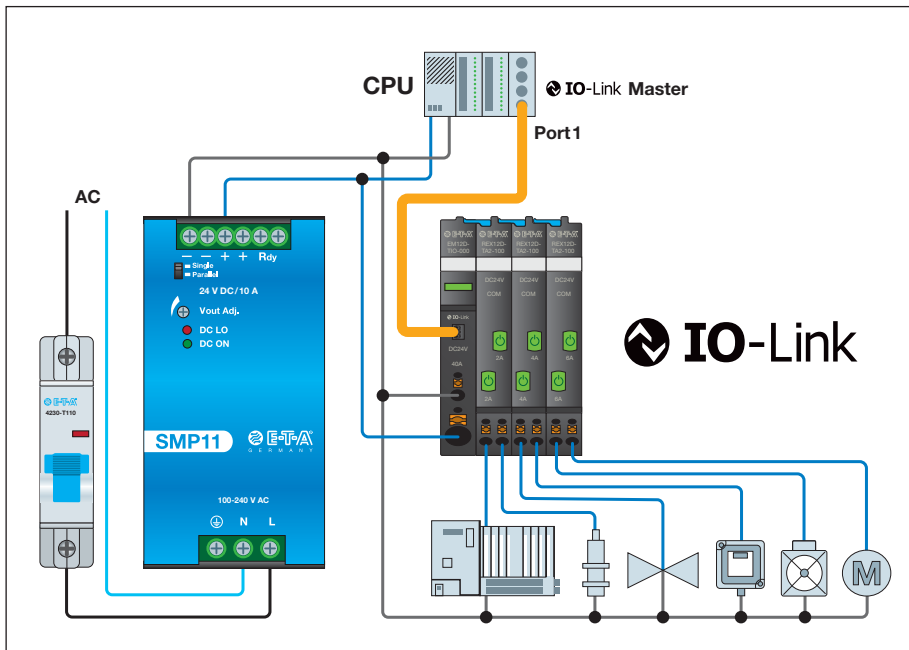


The **REX12** offers brilliant flexibility which allows upgrades at a later date. The modular design enables changes of load currents or **replacement of devices**. Just

open the left and right hinged connector arm of the circuit protector and remove the unit in question. **Put in a new unit, close the connector arm, done!**

REX12 REX12 RE

Your smart DC 24 V protection with  IO-Link



Up to 16 channels of the smart circuit protector **REX12D-T** can be connected to the port of the superordinate **IO link master** by means of the **EM12D-T** supply module. The specified standard

communication transmits comprehensive diagnostic and parameter data. **This ensures maximum transparency of your machinery and unrivalled flexibility.**



Your DC 24 V protection with  IO-Link connection

The **REX12D-T** is available in the current ratings 2 A, 4 A, 6 A, 8 A and 10 A.

Do you need more information on the **REX12** type? Just scan the QR code!



The REX12 portfolio



Type		EM12-T01..	REX12-TA1..	REX12-TA2..	EM12D-TIO..	REX12D-TA1..	REX12D-TA2..
Operating voltage U_B	DC 24 V (18...30 V)	●	●	●	●	●	●
Trip curve	time-current characteristics		●	●		●	●
Current rating I_N	single channel: 1 A, 2 A, 3 A, 4 A, 6 A, 8 A, 10 A		●				
Current rating I_N	single channel: 8 A, 10 A					●	
Current rating I_N	double channel: 2 A/2 A, 4 A/4 A, 6 A/6 A			●			●
Fail safe element	\triangle rated current		●	●		●	●
ON capacity	20,000 μ F		●	●		●	●
Total current	40 A	●			●		
Signalling	multicoloured LED		●	●	●	●	●
Signalling	signal contact	●					
Communication	IO link				●		
Temperature range	-25 °C...+60 °C	●	●	●	●	●	●
Width	12.5 mm	●	●	●	●	●	●
Connection technology	push-in terminals with press release buttons	●	●	●	●	●	●
Mounting method	DIN rail mounting	●	●	●	●	●	●
Approvals	UL508listed (pending)				—		
Number of devices to be mounted with EM12			max. 16	max. 16		max. 16	max. 8

Communication IO link in detail

Status/cyclical	<ul style="list-style-type: none"> ● load output ON/OFF ● short circuit/overload ● low voltage ● limit value current ● circuit protector manually OFF
Control/cyclical	<ul style="list-style-type: none"> ● load output ON/OFF ● reset
Measuring values	<ul style="list-style-type: none"> ● load current cyclical ● load voltage non-cyclical
Parameter/non-cyclical	<ul style="list-style-type: none"> ● current rating ● limit value load current (50-100%)
Control non-cyclical	<ul style="list-style-type: none"> ● reset error memory ● reset trip counter ● reset factory settings
Product information/non-cyclical	<ul style="list-style-type: none"> ● trip counter/trip reason ● serial number ● hardware/software version
Event message/non-cyclical	<ul style="list-style-type: none"> ● device defect detected

Your data for remote and preventive maintenance!

E-T-A

A globe-spanning network



Europe

- Belgium
- Bosnia/Herzegovina
- Bulgaria
- Denmark
- Germany
- Finland
- France
- Ireland
- Italy
- Croatia
- Luxemburg
- Macedonia
- Montenegro
- Netherlands
- Norway
- Austria
- Poland
- Portugal
- Russia
- Sweden
- Switzerland
- Serbia
- Slovakia
- Slovenia
- Spain
- Czech Republic
- Turkey
- Tunisia
- Hungary
- United Kingdom

America

- Argentina
- Brazil
- Chile
- Canada
- Mexico
- USA

Asia

- Brunei
- China
- Hong Kong
- India
- Indonesia
- Japan
- Korea
- Malaysia
- Philippines
- Singapore
- Taiwan
- Thailand

Africa

- South Africa

Oceania

- Australia
- New Zealand



E-T-A Elektrotechnische Apparate GmbH
Industriestraße 2-8 · 90518 ALTDORF
GERMANY

Phone: +49 9187 10-0 · Fax: +49 9187 10-397
E-Mail: info@e-t-a.de · www.e-t-a.de