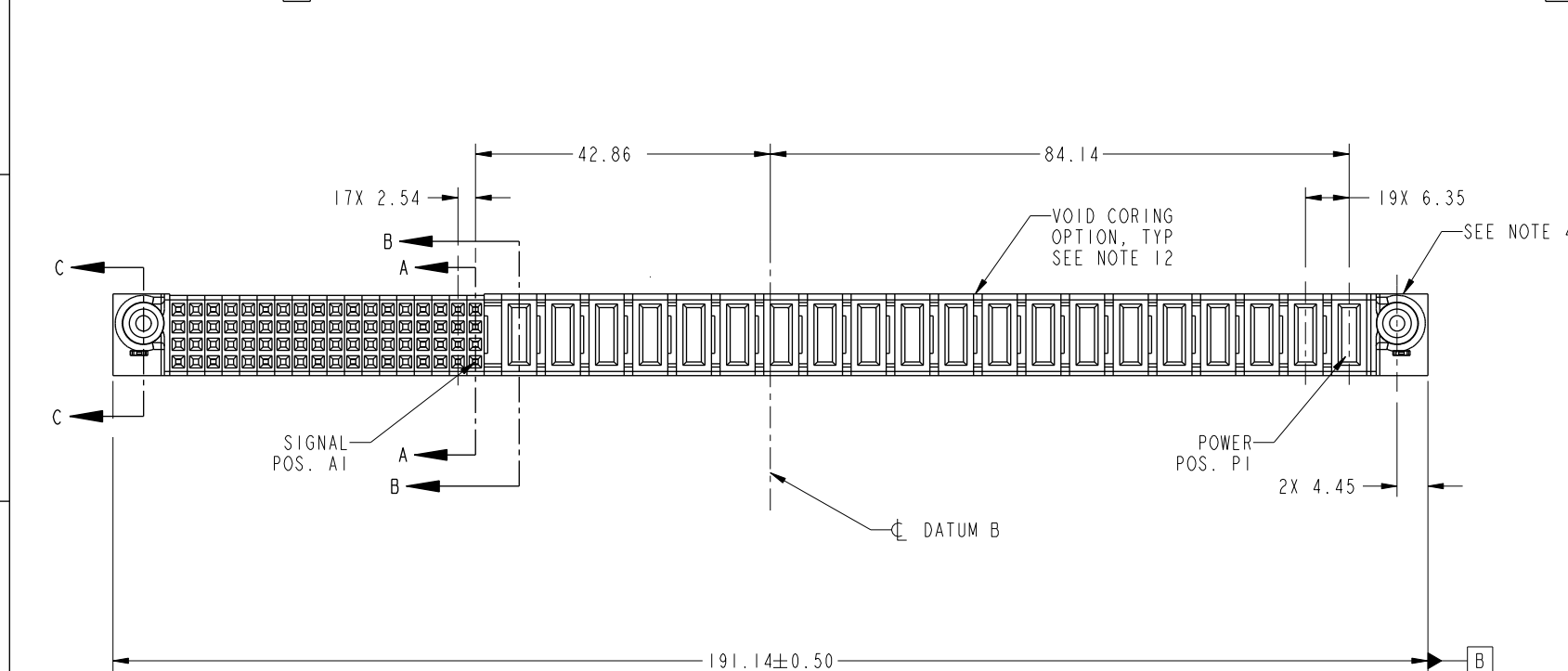




Copyright FCI.

PRODUCT NO.	ROWS	SIGNAL																				POWER										E1										
		E2	18	17	16	15	14	13	12	11	10	9	8	7	6	5	4	3	2	1	P20	P19	P18	P17	P16	P15	P14	P13	P12	P11	P10		P9	P8	P7	P6	P5	P4	P3	P2	P1	
51940-441-- NOTE: 3	D C B A		E	X	E	X	X	E	X	X	E	X	X	E	X	X	E	X	X	E	X	X	PA	PA	PA	PA	PA	PA	PA	PA	PA	PA	PA	PA	PA	PA	PA	PA	PA			
			E	X	E	X	X	E	X	X	E	X	X	E	X	X	E	X	X	E	X	X	PA	PA	PA	PA	PA	PA	PA	PA	PA	PA	PA	PA	PA	PA	PA	PA	PA	PA	PA	
			E	X	E	X	X	E	X	X	E	X	X	E	X	X	E	X	X	E	X	X	PA	PA	PA	PA	PA	PA	PA	PA	PA	PA	PA	PA	PA	PA	PA	PA	PA	PA	PA	



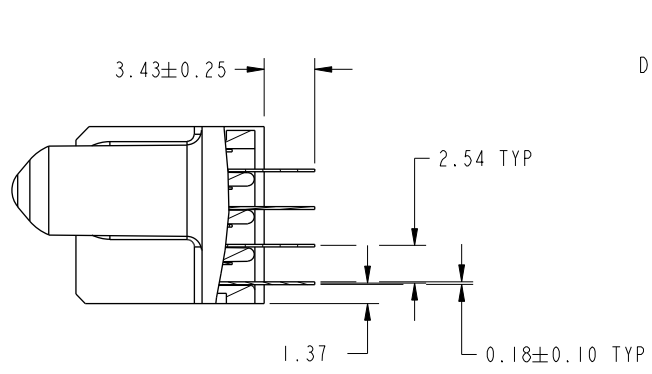
CODE	DIM "M" MATING LENGTH	CONTACT TYPE
E	[N/A]	SIGNAL
PA	[1.07]	POWER
HA	[N/A]	HOLD-DOWN
X	OMITTED	OMITTED

spec ref *	dr	MT Ruan	2012-07-10	projection	MM	size	A4	scale	1:1
tolerance std	eng	MT Ruan	2013-02-28			ecn no *			
SEE NOTE	chr	-	-						
surface <input checked="" type="checkbox"/>	appr	PM Zheng	2013-02-28						
	linear	0.X	±0.5		title	dwg no	51940-441	rev	A
		0.XX	±0.25						
	0.XXX	±0.1							
	angular	0°	±2°	www.fci.com	cat. no.	Product - Customer Drw		sheet 1 of 4	

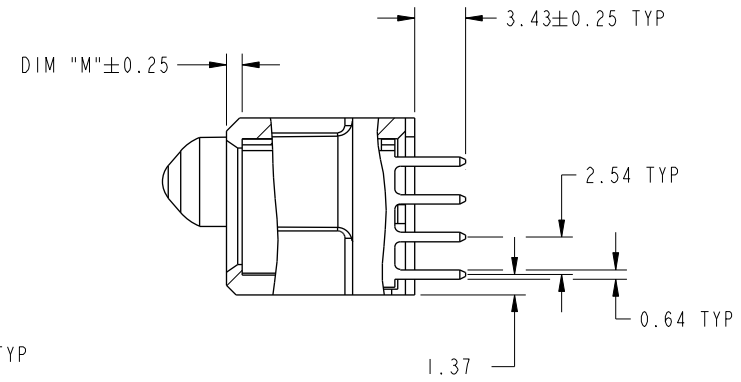
Prnt File - REV C - 2009-06-09

PRODUCT NUMBER

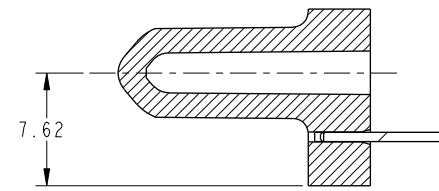
51940-441\_\_  
NOTE: 3



SECTION A-A  
SCALE 2:1



SECTION B-B  
SCALE 2:1



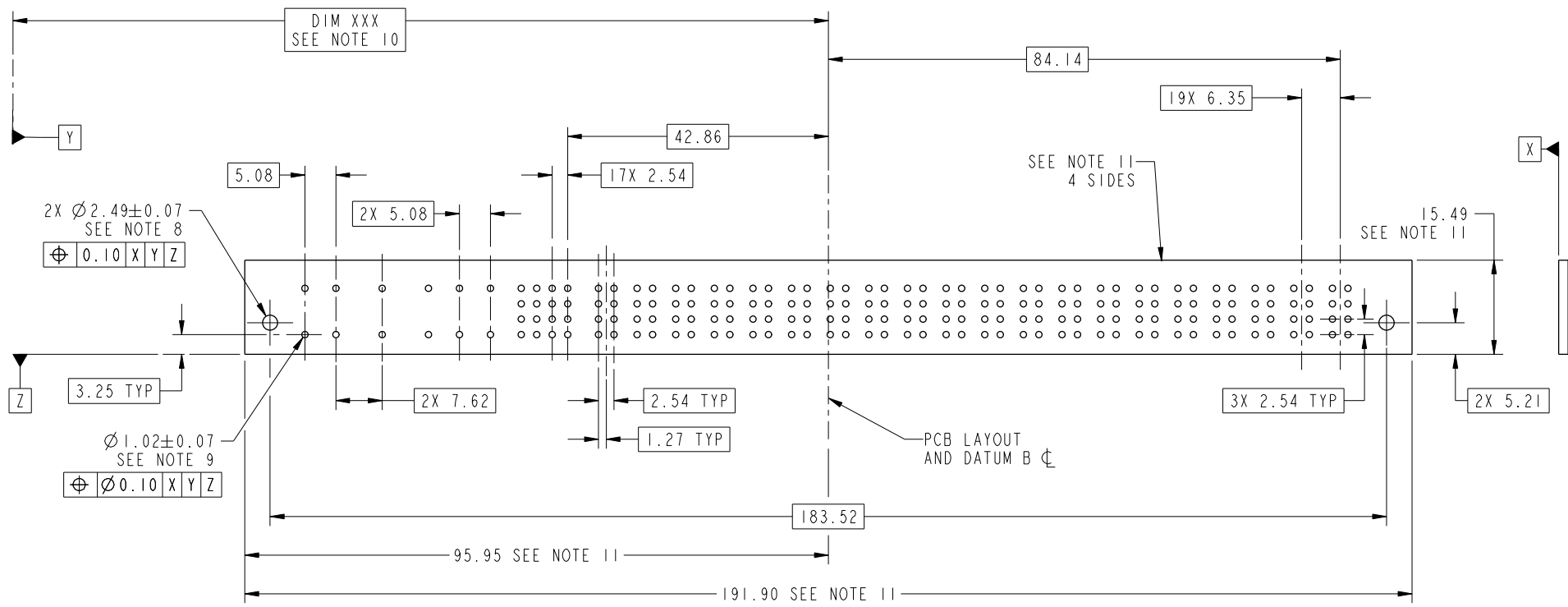
SECTION C-C  
SCALE 2:1



Copyright FCI.

dr	MT Ruan	2012-07-10	projection 	MM 	size	A4	scale	1:1
eng	MT Ruan	2013-02-28			ecn no	*		
chr	-	-			rel level	Released		
appr	PM Zheng	2013-02-28	product family	PwrBlade	rel level	Released		
		title 20P +72S VERTICAL STB RECEIPT	dwg no 51940-441	rev A				
www.fci.com		cat. no.	*	Product - Customer Drw	sheet 2 of 4			

PRODUCT NUMBER  
51940-441\_\_  
NOTE: 3



RECOMMENDED PCB LAYOUT

dr	MT Ruan	2012-07-10	projection 	MM 	size	A4	scale	1:1
eng	MT Ruan	2013-02-28			ecn no	*		
chr	-	-	product family		PwrBlade	rel level	Released	
appr	PM Zheng	2013-02-28	title		20P +72S	dwg no		51940-441
www.fci.com			cat. no.		*	Product - Customer Drw		sheet 3 of 4
			title		VERTICAL STB RECEIPT	rev		A



Copyright FCI.

Print File - REV C - 2009-06-09

PRODUCT NUMBER

51940-441\_\_  
NOTE: 3

NOTES:

1. DIMENSIONS AND TOLERANCES ARE IN ACCORDANCE WITH ASME Y14.5M, 1994 UNLESS OTHERWISE SPECIFIED.

CONNECTOR NOTES:

- 2 HOUSING MATERIAL: UL 94 V-0 GLASS FILLED HIGH-TEMP THERMOPLASTIC  
POWER CONTACT MATERIAL: COPPER ALLOY  
SIGNAL PIN MATERIAL: COPPER ALLOY
  - 3. SEE ITEM 5 & 6 IN PRINT 10064183 FOR PLATING SPEC OF 51940-441 AND 51940-441LF RESPECTIVELY.
  - 4 MANUFACTURER'S NAME, DATE CODE AND OPTIONAL P/N TO APPEAR ON THIS SURFACE. THE P/N CAN BE OMITTED IF THERE IS NOT ENOUGH SPACE ON THIS SURFACE.
  - 5. PRODUCT SPECIFICATION GS-12-149.  
APPLICATION SPECIFICATION BUS-20-067.
  - 6. PACKAGED IN TRAYS.
- PCB NOTES:
- 7. ALL HOLE DIAMETERS ARE FINISHED HOLE SIZE.
  - 8 MOUNTING HOLES, WHERE APPLICABLE, ARE UNPLATED.
  - 9  $\varnothing 1.151 \pm 0.025$  DRILLED HOLES PLATED WITH  
0.008 MIN SnPb OR Sn OVER 0.03  
TO 0.08 Cu PLATING TO ACHIEVE  
 $\varnothing 1.02 \pm 0.07$  HOLE.
  - 10 "DIM XXX" TO BE DETERMINED BY THE CUSTOMER.
  - 11 CONNECTOR KEEP-OUT ZONE.
  - 12. THE VOID CORING IN BETWEEN POWER MODULES, SIGNAL MODULES AND END MODULES ARE OPTIONAL AND THE SHAPE MAY BE DIFFERENT FOR OPTIMIZE THE MOLDING PROCESS. THE VOID CORING WILL NOT EFFECT TO PRODUCT FUNCTION.



Copyright FCI.

dr	MT Ruan	2012-07-10	projection 	MM 	size	A4	scale	1:1	
eng	MT Ruan	2013-02-28			ecn no	*			
chr	-	-			rel level	Released			
appr	PM Zheng	2013-02-28	product family	PwrBlade	rel level	Released			
		title	20P +72S		dwg no	51940-441		rev	A
www.fci.com		cat. no.	*	Product - Customer Drw			sheet 4 of 4		