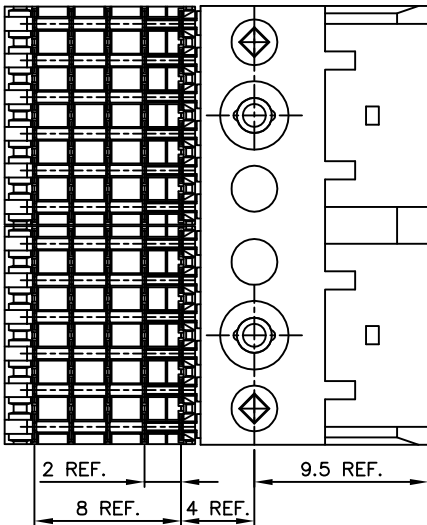
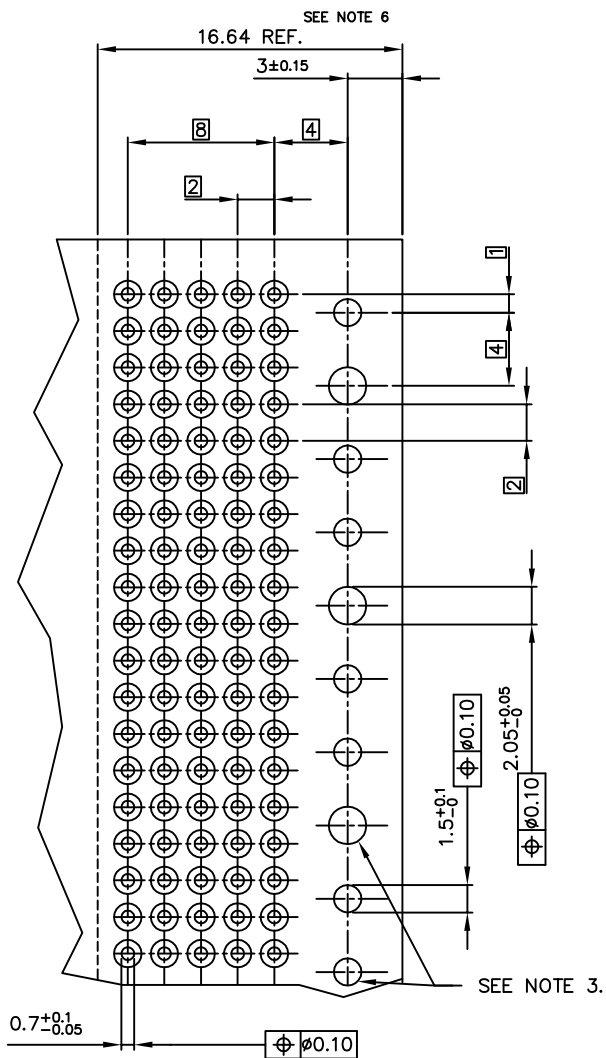
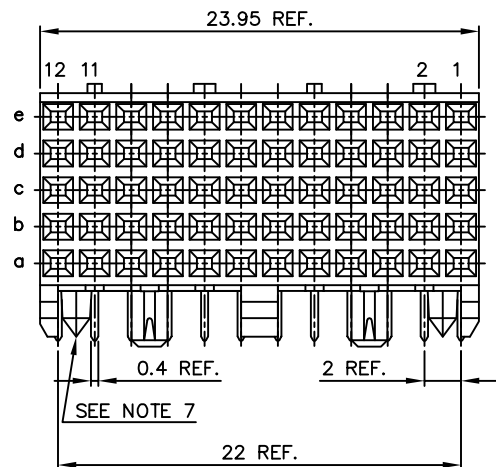
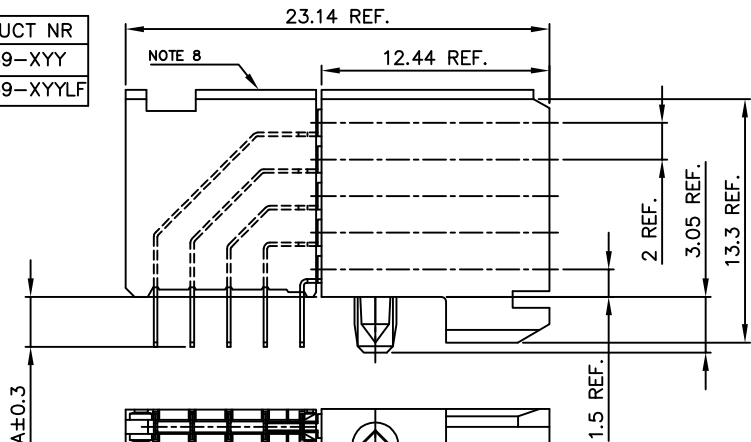
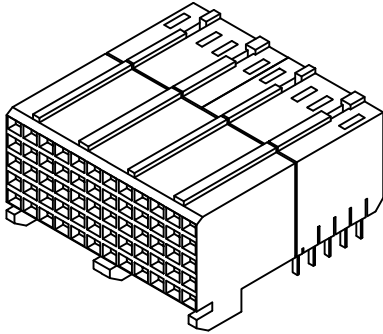
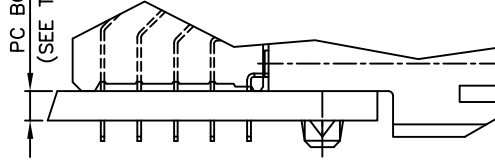


PRODUCT NR  
85639-YYY  
85639-YYLFF



PC BOARD THICKNESS±0.2  
(SEE TABLE)



- NOTES:
- 1 BODY MAT'L: LIQUID CRYSTAL POLYMER 30% GLASS FLAME RETARDANT ACC. UL 94-V0
  - 2 TERMINAL MATERIAL: PHOSPHOR BRONZE.
  - 3 INDICATED HOLES ARE UNPLATED.
  - 4 PLATING OF SOLDER TAILS 2-8 um SnPb 90-97. PLATING OF SOLDER TAILS 2-8 um PURE Sn for LEAD FREE.
  - 5 PRODUCTMARKING: PART NUMBER & BATCH ID.
  - 6 SET BACK FOR TAIL BLOCK
  - 7 DIAMOND LOCATION PEG ARE ONLY EXISTED ON THE BOTH SIDES OF PRODUCT..
  - 8 TOP SURFACE OF PRESS BLOCK MAY EXTEND UP TO 4mm HIGHER THAN HOUSING. THIS MAY AFFECT THE TAIL BLOCK BEFORE APPLICATION TO A BOARD
  - 9 THIS PRODUCT MEETS EUROPE AN UNION DIRECTIVES AND OTHER COUNTRY REGULATIONS AS DESCRIBED IN GS-22-008
  - 10 THE HOUSING WILL WITHSTAND EXPOSURE TO 260 DEGREE PEAK TEMPERATURE FOR 10 SECOND IN A WAVE SOLDER APPLICATION.

RECOMMENDED HOLE PATTERN, COMPONENT SIDE.

PLATING CONTACT AREA:	
DASH NR:	PERFORMANCE LEVEL
-1YY/1YYLFF	TELCORDIA CO
-2YY/2YYLFF	CUSTOMER SPECIAL
-3YY/3YYLFF	CUSTOMER SPECIAL

mat'l. code		tolerances unless otherwise specified		CUSTOMER COPY		FCI ELECTRONICS	
SEE NOTES						www.fciconnect.com	
lfr	ecn no	dr	date	linear	projection	title 5R RA Stb Sig	
H	D007-0188	Cent	05/10/07			RECEPT 24mm PP SL	
J	D008-0171	TER	8/25/08				
K	D009-0088	Cent	06/06/08	angles			
		dr	VISSCHERS IB	980512	mm	product famil	METRAL(tm)
E	V00850	GNV	000512	engr	M LOMAN	980512	code 213
F	V10906	VIB	010222	chr	M LOMAN	980512	scale 5:1
G	D004-0094	CLU	041210	appH	COOLMANS	980512	size dwg no 85639
sheet	revision	K	K				sheet 1 of 2
index	sheet	1	2				

PRODUCT NUMBER	CONFIGURATION												DIM A	PCB Thickness	
	ROW	1	2	3	4	5	6	7	8	9	10	11			12
85639-X01 85639-X01LF	E	X	-	X	-	X	-	X	-	X	-	X	-	2.90	1.6
	D	-	X	-	X	-	X	-	X	-	X	-	X		
	C	X	-	X	-	X	-	X	-	X	-	X	-		
	B	-	X	-	X	-	X	-	X	-	X	-	X		
85639-X02 85639-X02LF	E	X	-	X	-	X	-	X	-	X	-	X	-	3.53	2.4
	D	-	X	-	X	-	X	-	X	-	X	-	X		
	C	X	-	X	-	X	-	X	-	X	-	X	-		
	B	-	X	-	X	-	X	-	X	-	X	-	X		
85639-X03 85639-X03LF	E	X	-	X	-	X	-	X	-	X	-	X	X	2.90	1.6
	D	X	-	X	-	X	-	X	-	X	-	X	X		
	C	-	-	-	-	-	-	-	-	-	-	X	X		
	B	X	-	X	-	X	-	X	-	X	-	X	X		
85639-X04 85639-X04LF	E	X	X	-	X	X	-	X	X	-	X	X	-	2.90	1.6
	D	X	X	-	X	X	-	X	X	-	X	X	-		
	C	X	X	-	X	X	-	X	X	-	X	X	-		
	B	X	X	-	X	X	-	X	X	-	X	X	-		
85639-X05 85639-X05LF	E	X	-	X	-	X	-	X	-	X	-	X	-	2.90	1.6
	D	-	X	-	-	-	X	-	-	-	X	-	-		
	C	X	-	X	-	X	-	X	-	X	-	X	-		
	B	-	X	-	-	-	X	-	-	-	X	-	X		
85639-X06 85639-X06LF	E	-	X	X	-	X	X	-	X	X	-	X	X	2.90	1.6
	D	-	X	X	-	X	X	-	X	X	-	X	X		
	C	-	X	X	-	X	X	-	X	X	-	X	X		
	B	-	X	X	-	X	X	-	X	X	-	X	X		
A	-	X	X	-	X	X	-	X	X	-	X	X			

"-" POSITION NOT LOADED  
 "X" POSITION LOADED

This draft is for reference only. Reproduction or communication of this draft is prohibited. © FCI Inc.

All rights are reserved. Reproduction or issue to third parties, in any form or by any means, without written authority from the copyright owner is prohibited. © FCI Inc.

mat'l. code		tolerances unless otherwise specified		CUSTOMER COPY		<b>FCI ELECTRONICS</b>	
SEE NOTES						www.fciconnect.com	
ltr	ecn no	dr	date	linear	projection	title 5R RA Stb Sig	
K				angles		RECEIPT 24mm PP SL	
		dr	VISSCHERS IB	980512	mm	product famil	METRAL(TM)
		enr	M LOMAN	980512	scale	size	dwg no
		chr	M LOMAN	980512	1:1	A2	85639
		app	H COOLMANS	980512			code
sheet index	revision	sheet					213
							sheet 2 of -