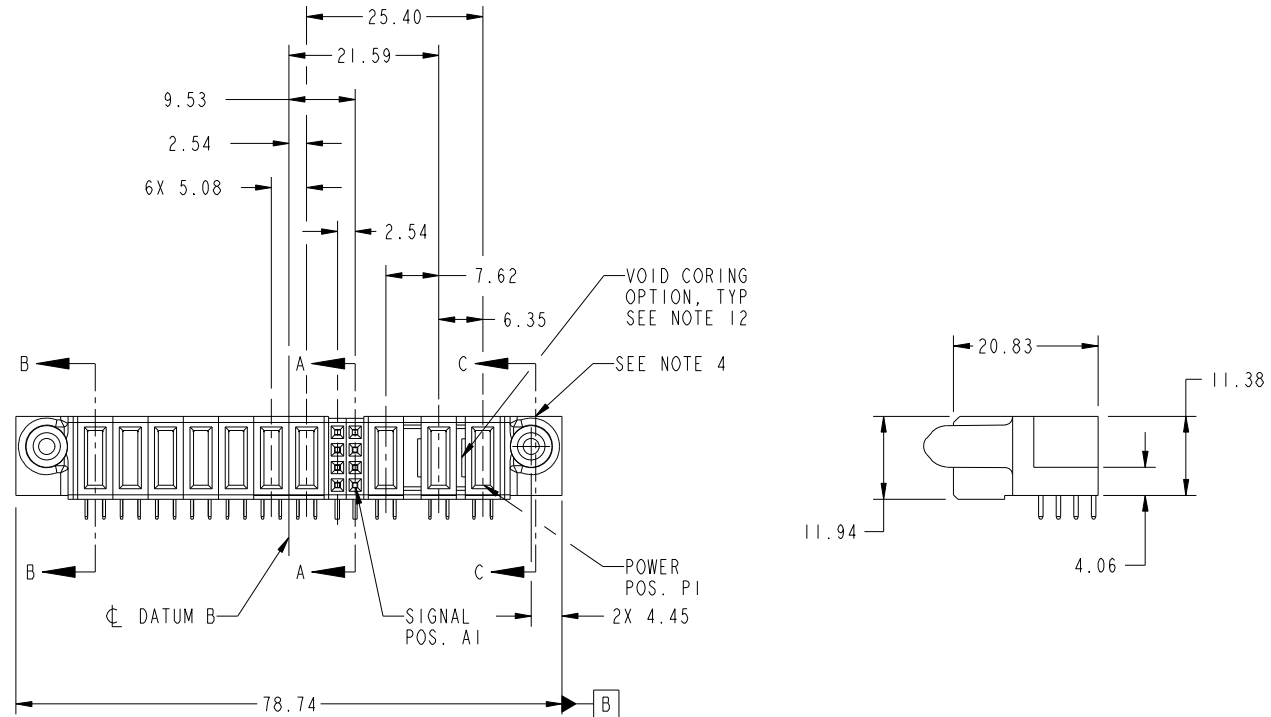


Tous droits strictement reserves. Reproduction ou communication a des tiers interdite sous quelque forme que ce soit sans autorisation écrite du propriétaire. Propriete de c FCI. Droits de reproduction FCI.



All rights strictly reserved. Reproduction or issue to third parties in any form whatever is not permitted without written authority from the proprietor. Property of FCI. Copyright FCI.

PRODUCT NO.	ROWS	POWER								SIGNAL			POWER	
		E2	P10	P9	P8	P7	P6	P5	P4	Z1	P3	P2	P1	E1
51915-224_- NOTE 3	D C B A		PA	PA	PA	PC	PC	PC	PA	H G G F F E	PA	PC	PC	



CODE	DIM "M" MATING LENGTH	CONTACT TYPE
PC	[2.34]	POWER
PA	[1.07]	POWER
H	[N/A]	SIGNAL
G	[N/A]	SIGNAL
F	[N/A]	SIGNAL
E	[N/A]	SIGNAL

mat'l code				SEE NOTE 2		tolerances unless otherwise specified		CUSTOMER		 www.fciconnect.com	
ltr	ecn no.	dr	date	linear	0.X ± 0.5	projection		COPY		title	
A	DG09-0288	WL	09/08/09	angles	0.XX ± 0.25					2P+ 1ACP + 8S + 7P R/A SOLDER RECEPTACLE	
				dr	0.XXX ± 0.1			product family		PwrBlade	code
				enr	0° ± 2°	scale		size	A		213
				chr	WL ZHANG 09/08/09	1:1		dwg no	51915-224		sheet
				appd	WARREN DU 09/08/09					1 of 4	
					PM ZHENG 09/08/09						
					Joseph Hsia 09/08/09						
sheet index	revision sheet	A 1	A 2	A 3	A 4						

cage code 22526

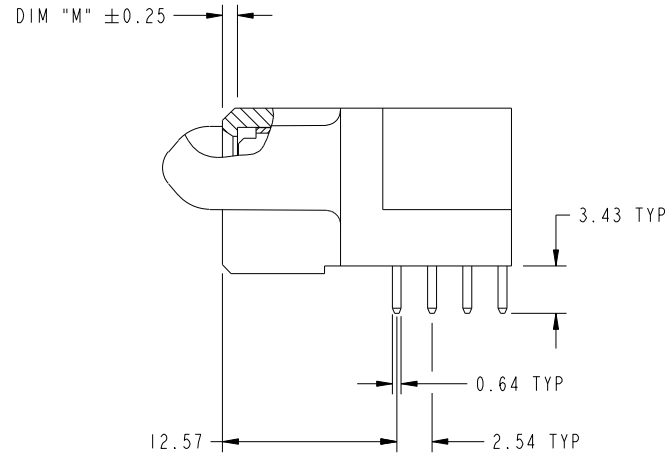
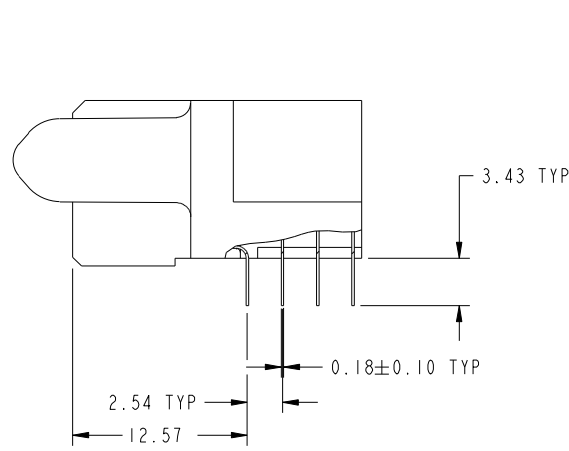
Pro/E

Tous droits strictement reserves. Reproduction ou communication a des tiers interdite sous quelque forme que ce soit sans autorisation ecrite du proprietaire. Propriete de c FCI. Droits de reproduction FCI.

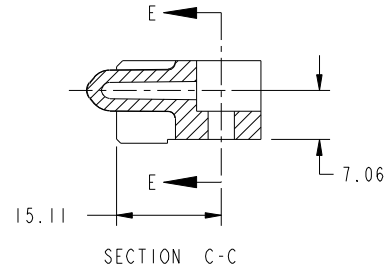
All rights strictly reserved. Reproduction or issue to third parties in any form whatever is not permitted without written authority from the proprietor. Property of FCI. Copyright FCI.



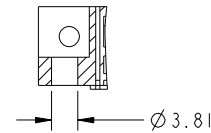
PRODUCT NUMBER
51915-224--
NOTE 3



BROKEN-OUT SECTION A-A
SCALE 2:1



BROKEN-OUT SECTION B-B
SCALE 2:1



PARTIAL SECTION E-E

mat'l code				SEE NOTE 2		tolerances unless otherwise specified		CUSTOMER		 www.fciconnect.com		
ltr	ecn no.	dr	date	linear	0.X ±0.5		COPY		 title	2P+ IACP + 8S + 7P R/A SOLDER RECEPTACLE		
A					0.XX ±0.25		 product family			PwrBlade		code
					0.XXX ±0.1		 size			dwg no		213
				angles	0° ±2°		 scale		A 51915-224		sheet 2 of 4	
				dr	WL ZHANG	09/08/09	MIM		product family		code	
				enr	WARREN DU	09/08/09	1:1		PwrBlade		213	
				chr	PM ZHENG	09/08/09			size		sheet	
				appd	Joseph Hsia	09/08/09			A		2 of 4	
sheet index	revision sheet											

cage code 22526

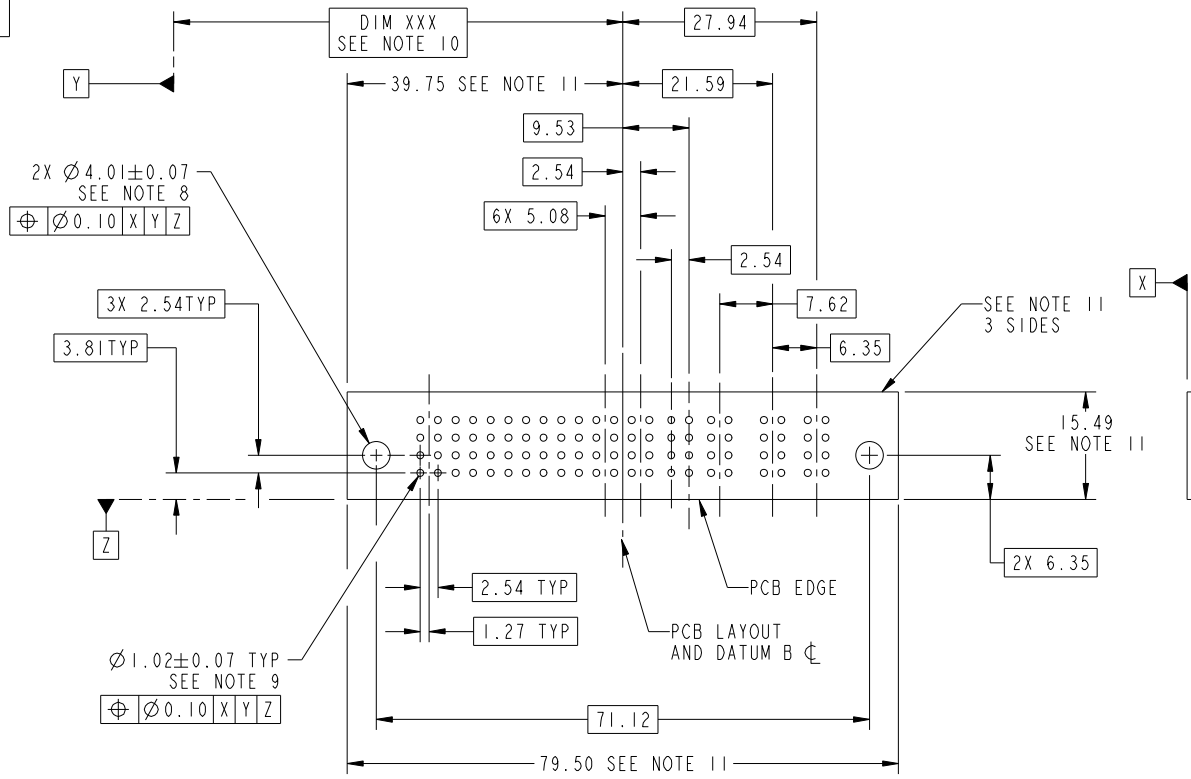
Pro/E

Tous droits strictement réservés. Reproduction ou communication a des tiers interdite sous quelque forme que ce soit sans autorisation écrite du propriétaire. Propriété de c FCI. Droits de reproduction FCI.



All rights strictly reserved. Reproduction or issue to third parties in any form whatever is not permitted without written authority from the proprietor. Property of FCI. Copyright FCI.

PRODUCT NUMBER
51915-224--
NOTE 3



RECOMMENDED PCB LAYOUT

mat'l code		SEE NOTE		tolerances unless otherwise specified		CUSTOMER		FCI	
ltr	ecn no.	dr	date	linear	0.X ± 0.5	COPY		www.fciconnect.com	
A					0.XX ± 0.25	projection		title	
				angles	0.XXX ± 0.1			2P+ IACP + 8S + 7P R/A SOLDER RECEPTACLE	
				dr	0° ± 2°	MIM		product family PwrBlade code	
				enrg	WL ZHANG 09/08/09	scale		size	
				chr	WARREN DU 09/08/09	1:1		dwg no	
				appd	PM ZHENG 09/08/09			51915-224	
					Joseph Hsia 09/08/09			sheet	
sheet index	revision sheet							3 of 4	

cage code 22526

Pro/E

Tous droits strictement reserves. Reproduction ou communication a des tiers interdite sous quelque forme que ce soit sans autorisation écrite du propriétaire. Propriete de c FCI. Droits de reproduction FCI.



All rights strictly reserved. Reproduction or issue to third parties in any form whatever is not permitted without written authority from the proprietor. Property of FCI. Copyright FCI.

PRODUCT NUMBER
51915-224--
NOTE 3

NOTES:

1. DIMENSIONS AND TOLERANCES ARE IN ACCORDANCE WITH ASME Y14.5M, 1994 UNLESS OTHERWISE SPECIFIED.

CONNECTOR NOTES:

- 2. HOUSING MATERIAL: UL 94 V-0 GLASS FILLED
HIGH-TEMP THERMOPLASTIC
POWER CONTACT MATERIAL: COPPER ALLOY
SIGNAL PIN MATERIAL: COPPER ALLOY
- 3. PLATING:
SEE ITEM 5 & 6 IN PRINT 10064183 FOR PLATING SPEC OF 51915-224; 51915-224LF PRESPECTIVELY
- 4. MANUFACTURER'S NAME, P/N, AND DATE CODE TO APPEAR ON THIS SURFACE.
- 5. PRODUCT SPECIFICATION GS-12-149.
APPLICATION SPECIFICATION BUS-20-067.
- 6. PACKAGED IN TRAYS.

PCB NOTES:

- 7. ALL HOLE DIAMETERS ARE FINISHED HOLE SIZE.
- 8. MOUNTING HOLES, WHERE APPLICABLE, ARE UNPLATED.
- 9. $\varnothing 1.151 \pm 0.025$ DRILLED HOLES PLATED WITH
0.008 MIN SnPb OR Sn OVER 0.03
TO 0.08 Cu PLATING TO ACHIEVE
 $\varnothing 1.02 \pm .07$ HOLE.
- 10. "DIM XXX" TO BE DETERMINED BY THE CUSTOMER.
- 11. CONNECTOR KEEP-OUT ZONE.
- 12. THE VOID CORING IN BETWEEN POWER MODULES, SIGNAL MODULES AND END MODULES ARE OPTIONAL AND THE SHAPE MAY BE DIFFERENT FOR OPTIMIZE THE MOLDING PROCESS. THE VOID CORING WILL NOT EFFECT TO PRODUCT FUNCTION.

mat'l code				SEE NOTE 2		tolerances unless otherwise specified		CUSTOMER		FCI www.fciconnect.com	
ltr	ecr no.	dr	date	linear	0.X ± 0.5		COPY		projection	title	
A					0.XX ± 0.25		MIM			2P+ IACP + 8S + 7P R/A SOLDER RECEPTACLE	
					0.XXX ± 0.1		←			product family PwrBlade code 213	
				angles	0° ± 2°		scale		size	dwg no	sheet
				dr	WL ZHANG	09/08/09	1:1		A	51915-224	4 of 4
				enr	WARREN DU	09/08/09					
				chr	PM ZHENG	09/08/09					
				appd	Joseph Hsia	09/08/09					
sheet index	revision sheet										

cage code 22526

Pro/E