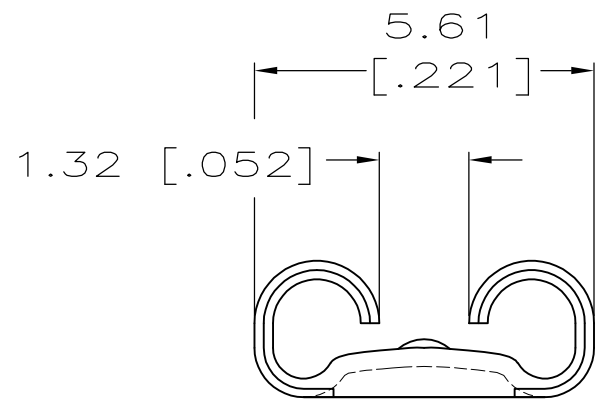
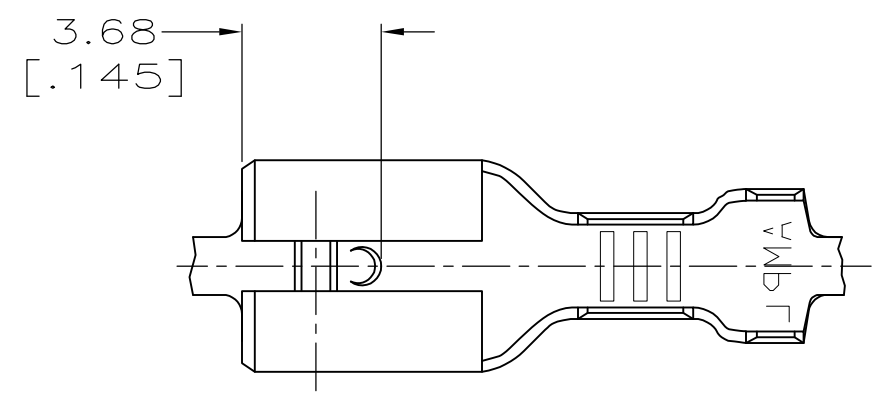


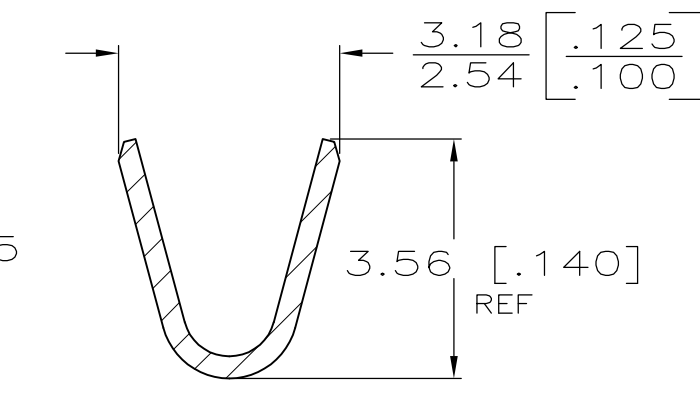
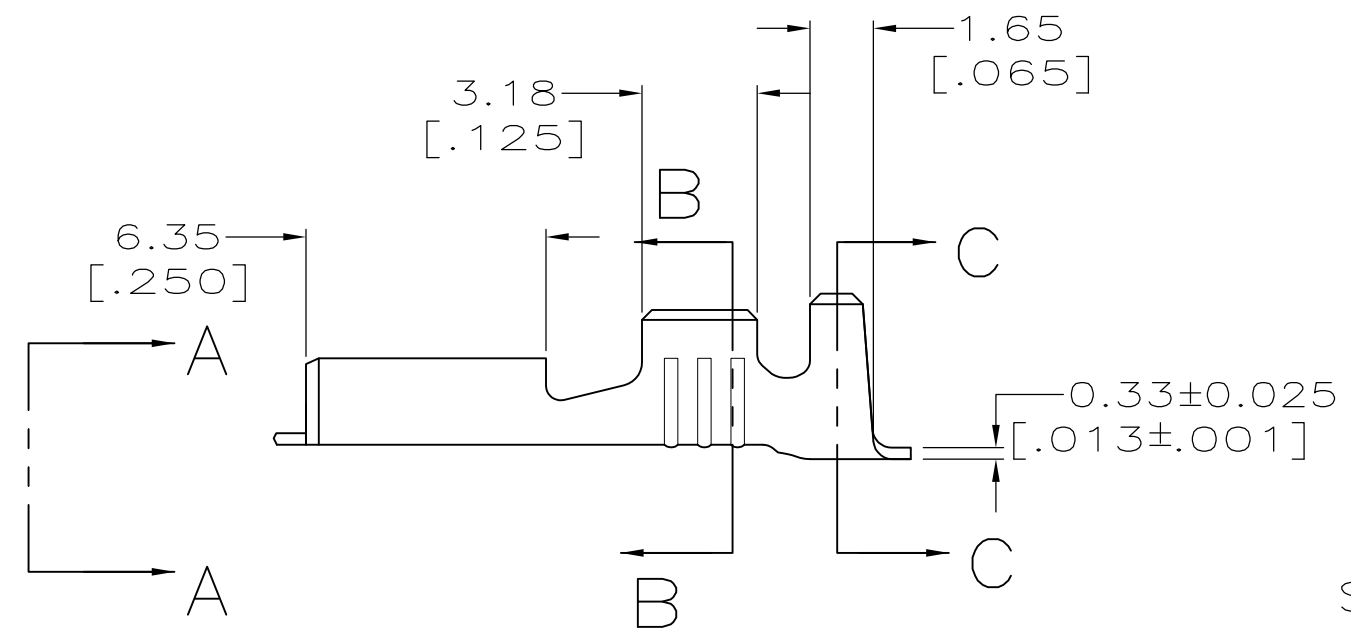
THIS DRAWING IS UNPUBLISHED. RELEASED FOR PUBLICATION
 © COPYRIGHT - By - ALL RIGHTS RESERVED.

LOC	DIST	REVISIONS			
P	LTR	DESCRIPTION	DATE	DWN	APVD
AF	50	H	REVISED PER ECR-12-013518	23NOV2012	KH PD

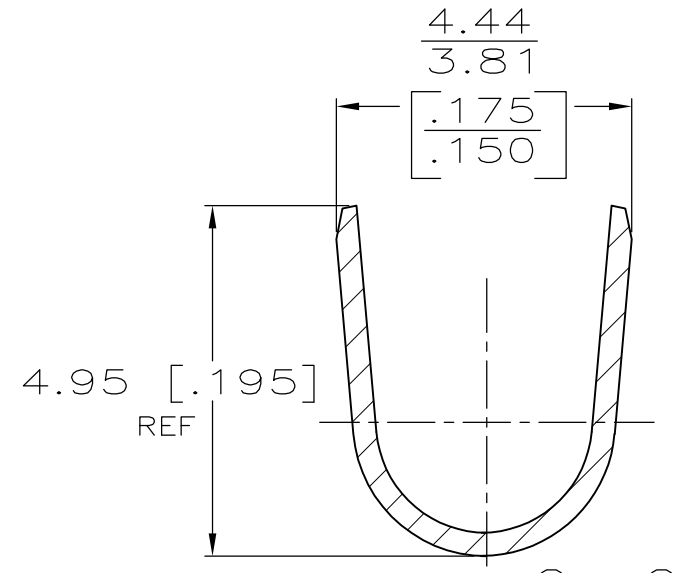
- 1 ACCEPTS WIRE SIZE [#20-#16] AWG.
- 2 INSULATION RANGE IS 2.29-3.30 [.090-.130] DIA.
- 3 CONTINUOUS STRIP ON REELS.



VIEW A-A
SCALE 8:1



SECTION B-B
SCALE 8:1



SECTION C-C
SCALE 8:1

TIN	0.508±0.025 [.020±.001]	63475-2
-		63475-1
FINISH	MATING TAB THICKNESS	PART NUMBER

THIS DRAWING IS A CONTROLLED DOCUMENT.		DWN JR RUTH 11/9/87	TE Connectivity		
DIMENSIONS: mm [INCHES]		CHK G YETTER 11/10/87			
		APVD C MEYERS 11/10/87	NAME RECEPTACLE, LIF, FASTON, 4.75 [.187] SERIES		
TOLERANCES UNLESS OTHERWISE SPECIFIED: 0 PLC ± - 1 PLC ± - 2 PLC ± 0.25 [.010] 3 PLC ± - 4 PLC ± - ANGLES ± -		PRODUCT SPEC -	SIZE A3	CAGE CODE 00779	DRAWING NO C-63475
MATERIAL BRASS		FINISH SEE TABLE	APPLICATION SPEC -	RESTRICTED TO -	
CUSTOMER DRAWING			WEIGHT -	SCALE 5:1	SHEET 1 OF 1
			REV H		