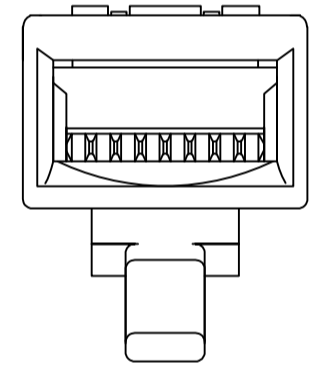
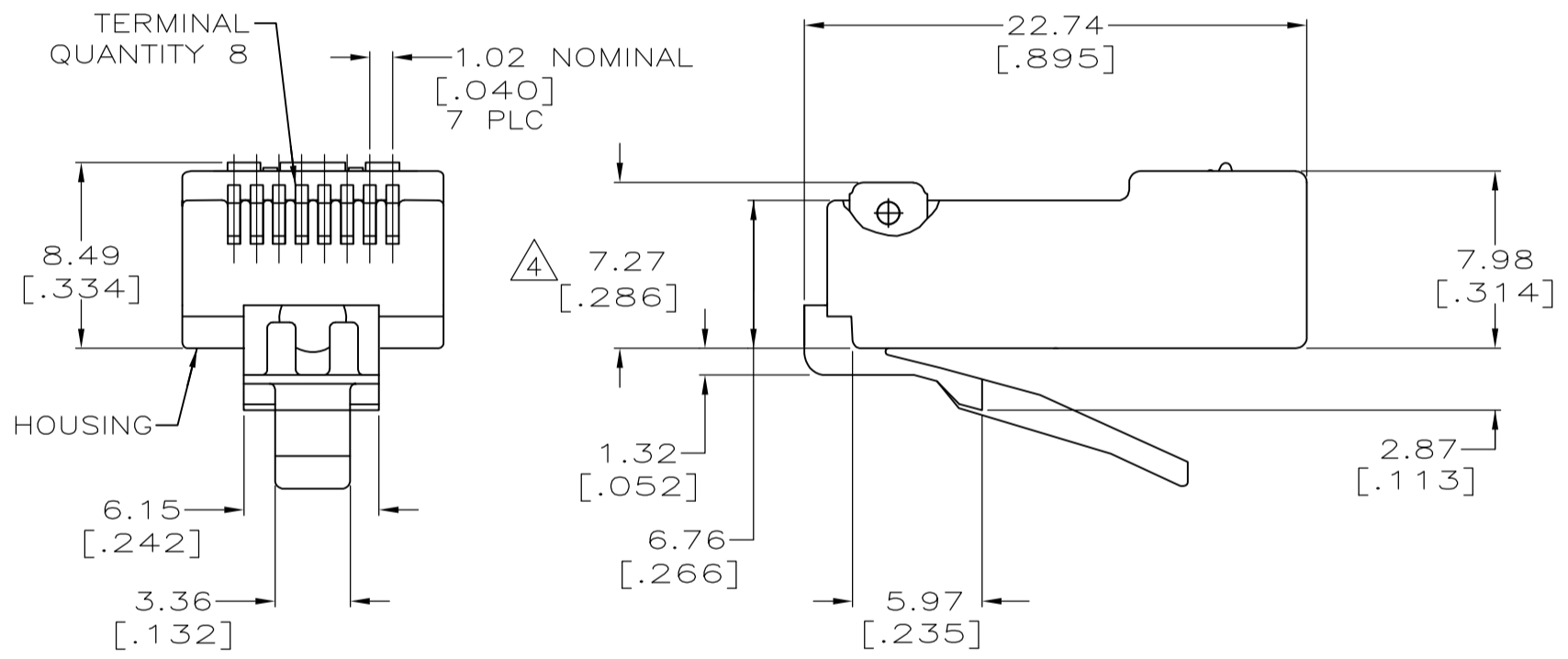
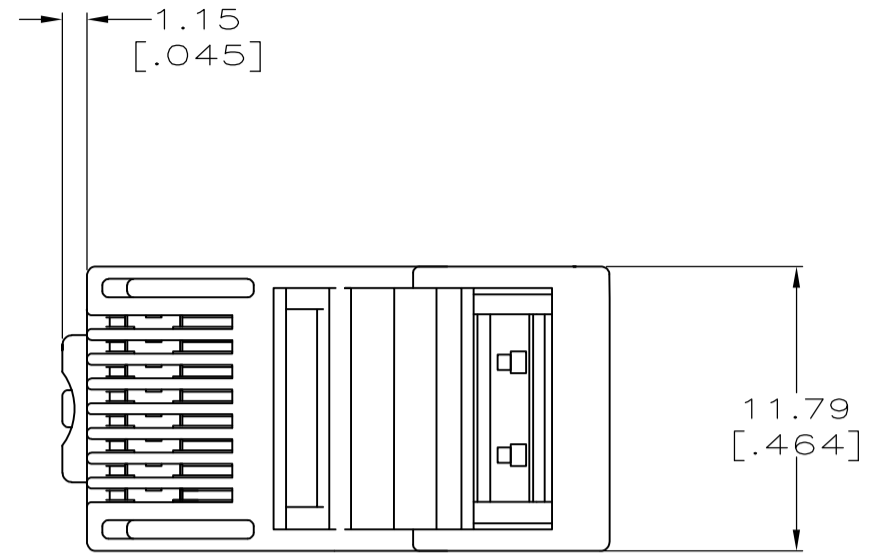


| LOC | | DIST | | REVISIONS | | | | |
|-----|-----|---------------------------|---------|-----------|------|--|--|--|
| P | LTR | DESCRIPTION | DATE | DWN | APVD | | | |
| F | | REVISED PER ECO-12-012703 | 11JUL12 | GG | JG | | | |



- 1. DIMENSIONS ARE MAXIMUM UNLESS OTHERWISE SPECIFIED.
- 2. MATERIAL: HOUSING—POLYCARBONATE, CLEAR.
 TERMINAL—PHOSPHOR BRONZE, PLATED WITH 1.27 μm [.000050] MINIMUM THICK GOLD IN LOCALIZED GOLD PLATE AREA OVER 2.54 μm [.000100] MINIMUM THICK NICKEL UNDERPLATE.
- 3. PLUG WILL ACCEPT 26 OR 24 AWG SOLID WIRE, 0.74–0.99 [.029–.039] DIAMETER, WITH A 5.08 [.200] DIAMETER JACKET.
- 4. TERMINATED DIMENSION 6.15 [.242] MAXIMUM.
- 5. 10,000 LOOSE PIECES PER PACKAGE.
- 6. 500 LOOSE PIECES PER PACKAGE.
- 7. 100 ASSEMBLIES PER PACKAGE.

| | |
|----------|------------|
| 7 | 5-557315-3 |
| 6 | 5-557315-2 |
| 5 | 5-557315-1 |
| PACKAGED | PART NO |

| | | | | |
|--|--|-------------------------------|--|--------------------|
| THIS DRAWING IS A CONTROLLED DOCUMENT. | | DWN D. DRUMMOND 4-26-91 | TE Connectivity | |
| DIMENSIONS: mm[INCHES] | | CHK M. MAYBERRY 4-6-92 | NAME LAURER/MCGRATH | |
| TOLERANCES UNLESS OTHERWISE SPECIFIED: | | APVD 10-5-94 | PRODUCT SPEC 108-1163 | |
| 0 PLC ± - | | APPLICATION SPEC 114-6016 | MODULAR PLUG ASSEMBLY, 8 POSITION, SOLID WIRE, ROUND CABLE | |
| 1 PLC ± - | | WEIGHT - | SIZE A2 | CAGE CODE 00779 |
| 2 PLC ± - | | CUSTOMER DRAWING | DRAWING NO 557315 | RESTRICTED TO - |
| 3 PLC ± - | | SCALE 4:1 | SHEET 1 OF 1 | REV F |
| 4 PLC ± - | | | | |
| ANGLES ± - | | | | |
| FINISH ± - | | | | |

557315