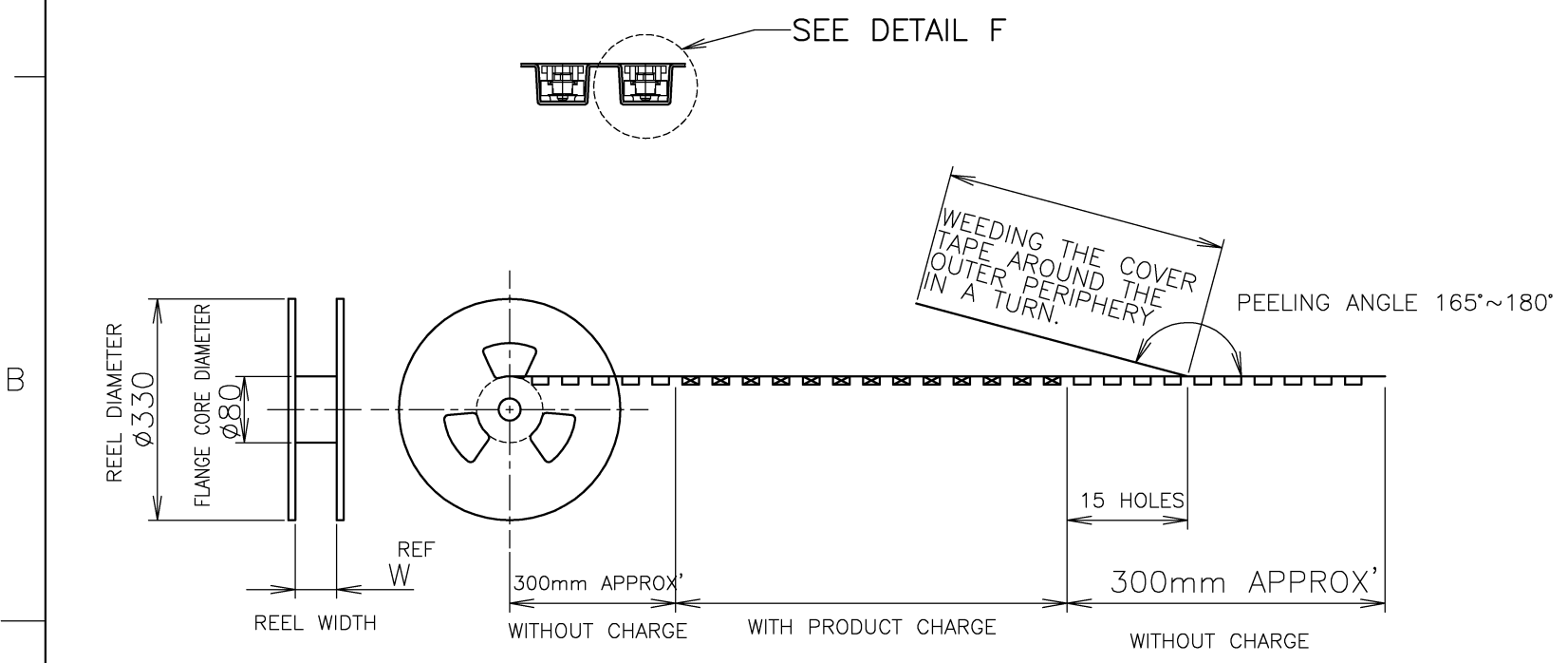
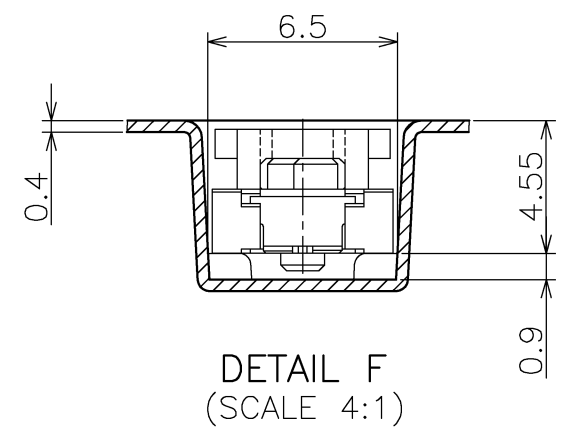
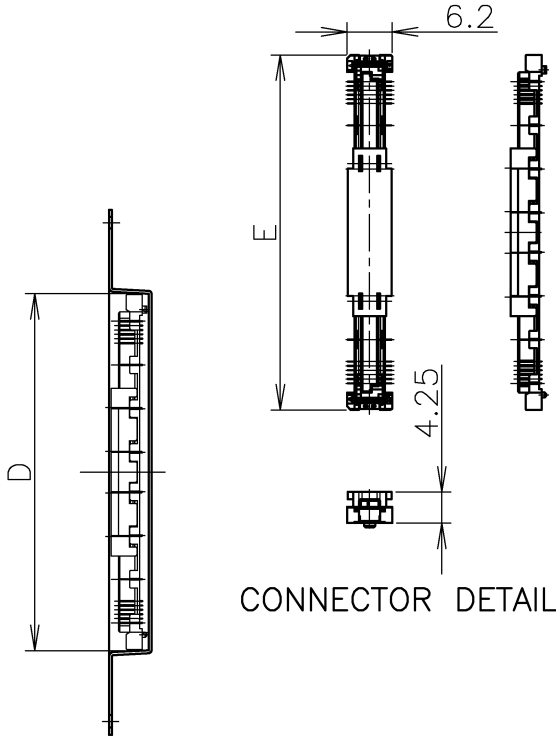
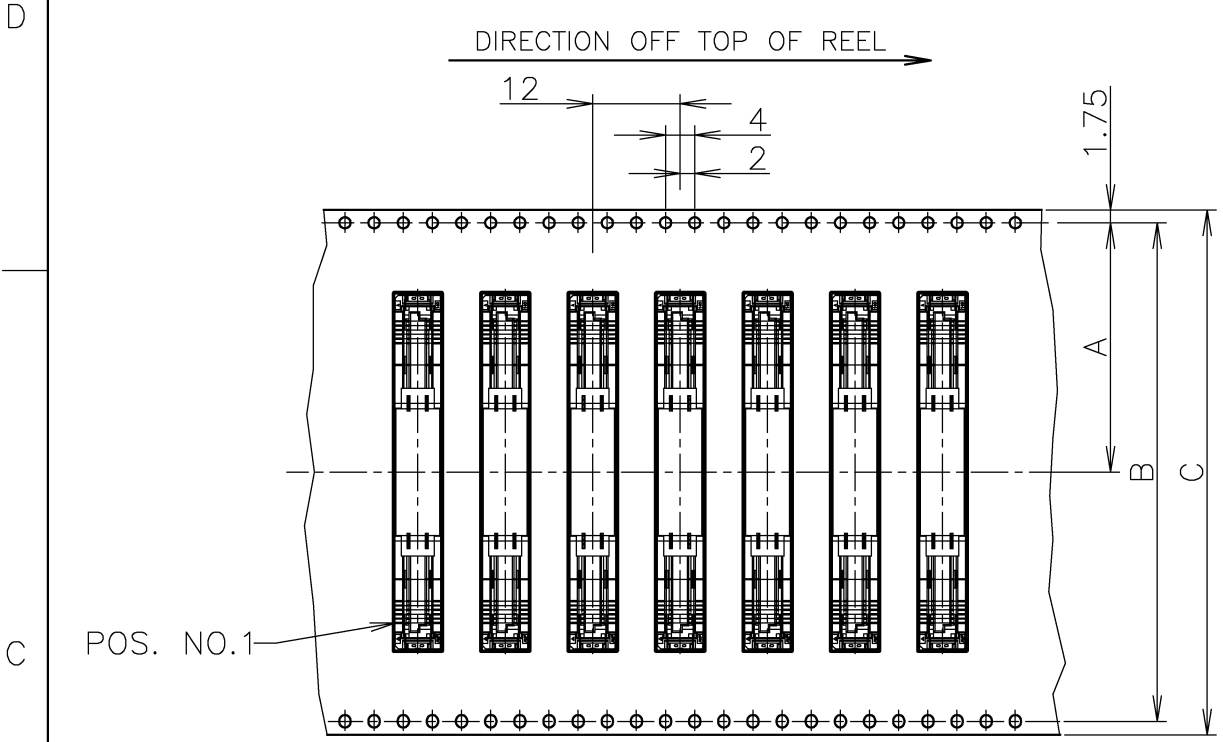


THIS DRAWING IS UNPUBLISHED. RELEASED FOR PUBLICATION OCT, 2008.  
 © COPYRIGHT 2008 BY TYCO ELECTRONICS CORPORATION. ALL RIGHTS RESERVED.

LOC	DIST	REVISIONS					
J		P	LTR	DESCRIPTION	DATE	DWN	APVD
		B		REVISED	17NOV2008	Y.O	T.F



SEALANT	TOOLING STATUS	QTY.	W	E	D	C	B	A	POS.	PART NO.
			NOT AVAILABLE	900	77.5	54.7	55	72	68.4	
AVAILABLE			77.5	48.7	49	72	68.4	34.2	140	1-2069480-0
NOT AVAILABLE			61.5	42.7	43	56	52.4	26.2	120	
			61.5	36.7	37	56	52.4	26.2	100	
			61.5	33.7	34	56	52.4	26.2	90	
			49.5	30.7	31	44	40.4	20.2	80	
			49.5	27.7	28	44	40.4	20.2	70	
			49.5	24.7	25	44	40.4	20.2	60	
NOT AVAILABLE			37.5	21.7	22	32	28.4	14.2	50	
NOT AVAILABLE			77.5	54.7	55	72	68.4	34.2	160	
NOT AVAILABLE			77.5	48.7	49	72	68.4	34.2	140	
NOT AVAILABLE			61.5	42.7	43	56	52.4	26.2	120	
NOT AVAILABLE			61.5	36.7	37	56	52.4	26.2	100	
NOT AVAILABLE			61.5	33.7	34	56	52.4	26.2	90	
NOT AVAILABLE			49.5	30.7	31	44	40.4	20.2	80	
NOT AVAILABLE			49.5	27.7	28	44	40.4	20.2	70	
NOT AVAILABLE			49.5	24.7	25	44	40.4	20.2	60	
NOT AVAILABLE			37.5	21.7	22	32	28.4	14.2	50	

THIS PRODUCT WAS COATED BY FLUX-PENETRATING AGENT.

THIS DRAWING IS A CONTROLLED DOCUMENT.

DIMENSIONS: 単位: 耗 mm	TOLERANCES UNLESS OTHERWISE SPECIFIED: 一般公差	DWN Y.OKOSHI 21OCT2008	Tyco Electronics Corporation Kawasaki, Japan	
	0 PLC ± 0.2	CHK S.KAJINUMA 21OCT2008	EMBOSS ASSY	
	1 PLC ± 0.2	APVD T.FUTATSUGI 21OCT2008	FH 0.6 BTB CONNECTOR	
	2 PLC ± 0.2	PRODUCT SPEC 製品規格 108-5468	REC 4H W/G-CONT WITH 1ROW CAP	
	3 PLC ± 0.2	APPLICATION SPEC 取付適用規格	SIZE A3	CAGE CODE 00779
	4 PLC ± 0.2	WEIGHT	DRAWING NO 番号 G-2069480	RESTRICTED TO
	ANGLES ± 5°	CUSTOMER DRAWING	SCALE 尺度 1:1	SHEET 1 of 4
MATERIAL 材料	FINISH 仕上			REV B

4

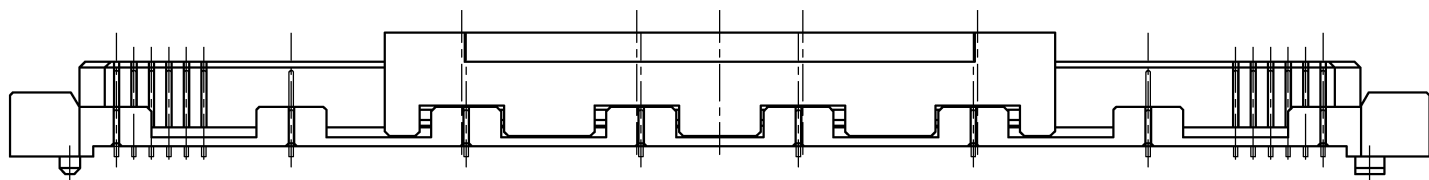
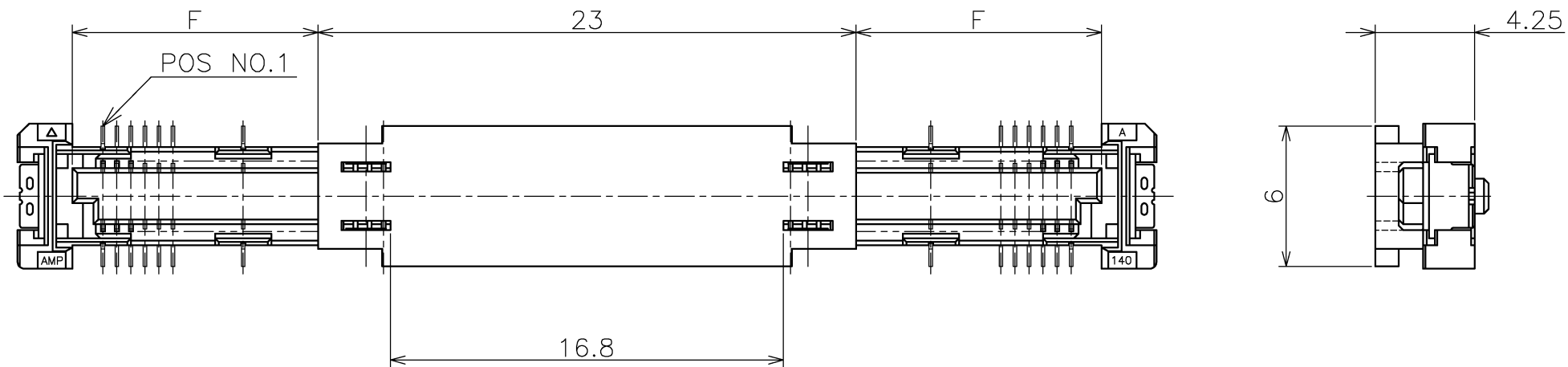
3

2

1

THIS DRAWING IS UNPUBLISHED. RELEASED FOR PUBLICATION OCT ,2008.  
 © COPYRIGHT 2008 BY TYCO ELECTRONICS CORPORATION. ALL RIGHTS RESERVED.

LOC	DIST	REVISIONS 変更					
J		P	LTR	DESCRIPTION	DATE	DWN	APVD
			-	SEE SHEET 1	-	-	-



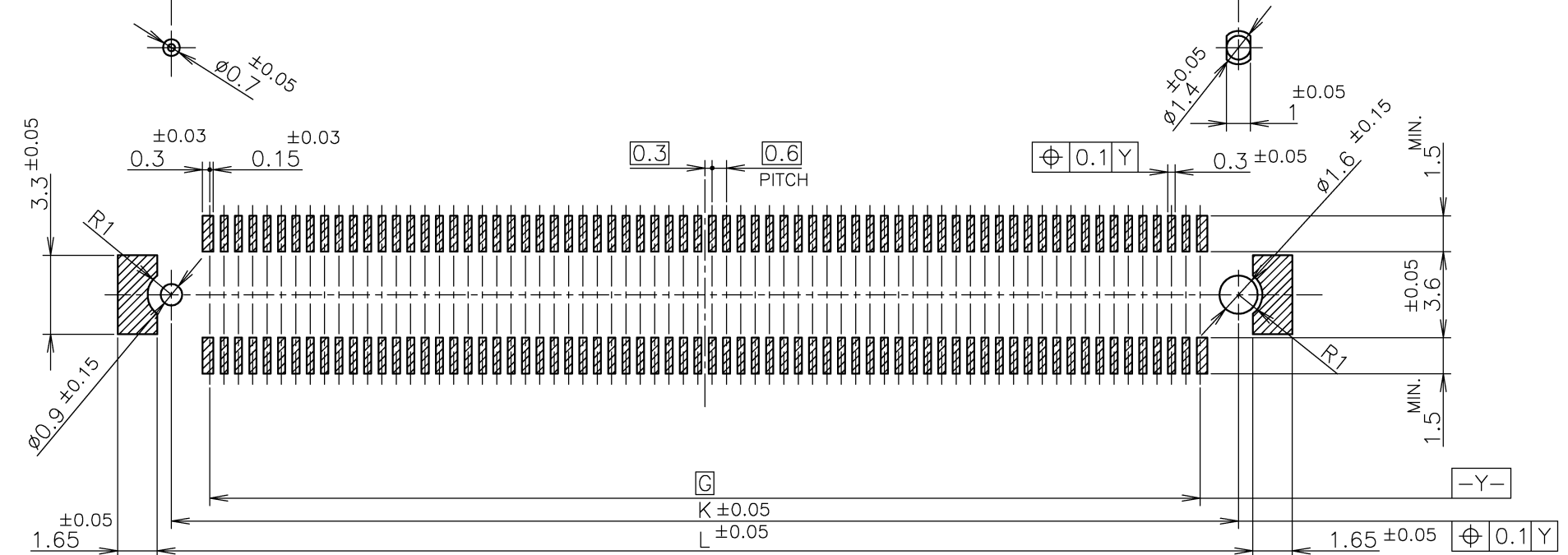
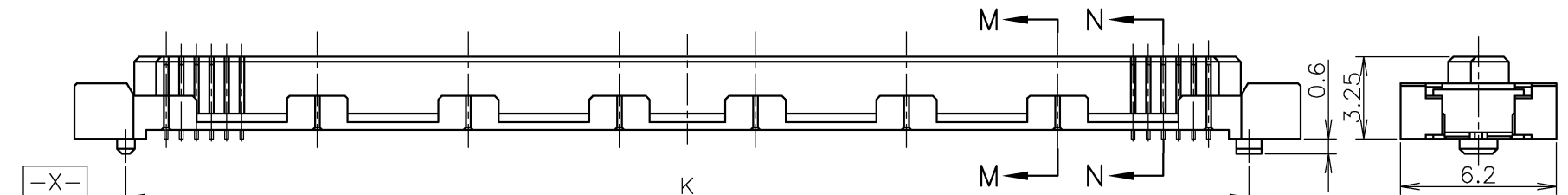
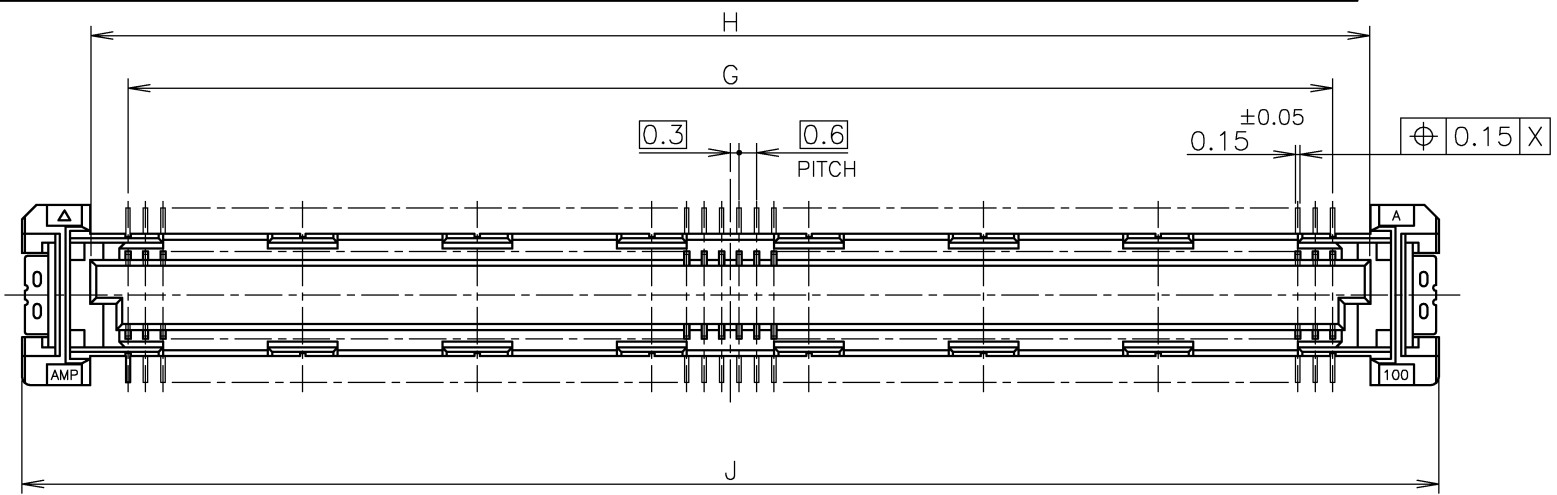
NOT AVAILABLE		160	
AVAILABLE	10.5	140	1-2069480-0
NOT AVAILABLE		120	
NOT AVAILABLE		100	
NOT AVAILABLE		90	
TOOLING STATUS	F	POS	CAP P/N

5 CONNECTORS DIMENSION AND REFERENCE P.C BOARD LAYOUT : SEE SHEET 3.

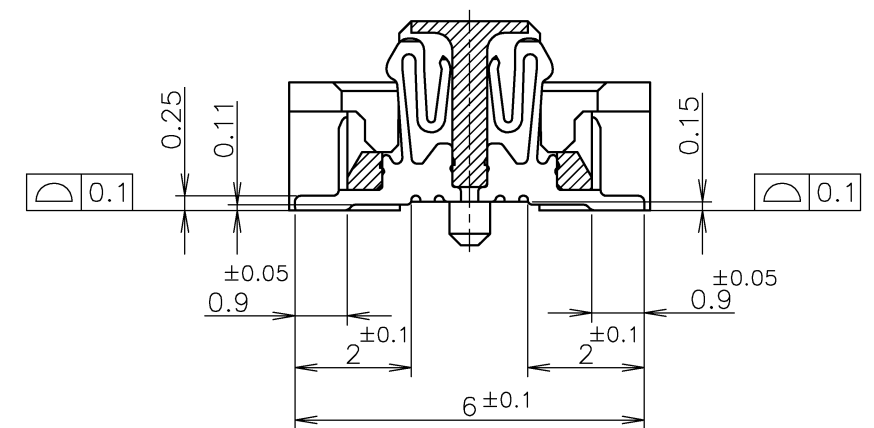
THIS DRAWING IS A CONTROLLED DOCUMENT.		DWN	Tyco Electronics Corporation Kawasaki, Japan	
DIMENSIONS: 単位: 耗 mm		CHK		
TOLERANCES UNLESS OTHERWISE SPECIFIED: 一般公差		APVD	NAME 名称	
0 PLC ± 0.2 1 PLC ± 0.2 2 PLC ± 0.2 3 PLC ± 0.2 4 PLC ± 0.2 ANGLES ± 3°		PRODUCT SPEC 製品規格	EMBOSS ASSY FH 0.6 BTB CONNECTOR REC 4H W/G-CONT WITH 1ROW CAP	
MATERIAL 材料		APPLICATION SPEC 取付適用規格	SIZE	RESTRICTED TO
FINISH 仕上		WEIGHT	CAGE CODE	DRAWING NO 番号
		CUSTOMER DRAWING	A3 00779	G-2069480
		SCALE 尺度	SHEET	REV
		4:1	2 of 4	B

THIS DRAWING IS UNPUBLISHED. RELEASED FOR PUBLICATION OCT, 2008.  
 © COPYRIGHT 2008 BY TYCO ELECTRONICS CORPORATION. ALL RIGHTS RESERVED.

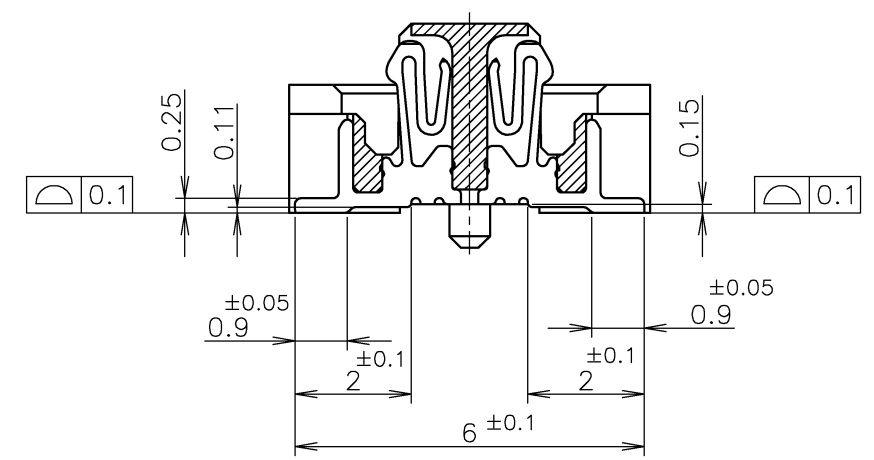
LOC	DIST	REVISIONS					
J		P	LTR	DESCRIPTION	DATE	DWN	APVD
				SEE SHEET 1			



REFERENCE P.C.BOARD LAYOUT



N-N  
(SIGNAL POSITION)  
(SCALE 8:1)



M-M  
(GROUND POSITION)  
(SCALE 8:1)

NOT AVAILABLE	51.8	50.6	54.7	50	47.4	160
AVAILABLE	45.8	44.6	48.7	44	41.4	140
NOT AVAILABLE	39.8	38.6	42.7	38	35.4	120
↑	33.8	32.6	36.7	32	29.4	100
	30.8	29.6	33.7	29	26.4	90
	27.8	26.6	30.7	26	23.4	80
	24.8	23.6	27.7	23	20.4	70
	21.8	20.6	24.7	20	17.4	60
NOT AVAILABLE	18.8	17.6	21.7	17	14.4	50
TOOLING STATUS	L	K	J	H	G	POS

THIS DRAWING IS A CONTROLLED DOCUMENT.

DIMENSIONS: 単位: 耗 mm	TOLERANCES UNLESS OTHERWISE SPECIFIED: 一般公差	DWN	Tyco Electronics Corporation Kawasaki, Japan	
	0 PLC ± 0.3	CHK	NAME 名称	
	1 PLC ± 0.3	APVD	EMBOSS ASSY	
	2 PLC ± 0.3	PRODUCT SPEC 製品規格	FH 0.6 BTB CONNECTOR	
	3 PLC ± 0.3	APPLICATION SPEC 取付適用規格	REC 4H W/G-CONT WITH 1ROW CAP	
	4 PLC ± 0.3	WEIGHT	SIZE	CAGE CODE
	ANGLES ± 3'	CUSTOMER DRAWING	A3	00779
MATERIAL 材料	FINISH 仕上		DRAWING NO 番号	RESTRICTED TO
①	②		G-2069480	
			SCALE 尺度 4:1	SHEET 3 of 4
				REV B

4

3

2

1

THIS DRAWING IS UNPUBLISHED.

RELEASED FOR PUBLICATION

OCT , 2008.

© COPYRIGHT 2008 BY TYCO ELECTRONICS CORPORATION. ALL RIGHTS RESERVED.

LOC

DIST

REVISIONS

変更

DESCRIPTION

DATE

DWN

APVD

P

LTR

SEE SHEET 1

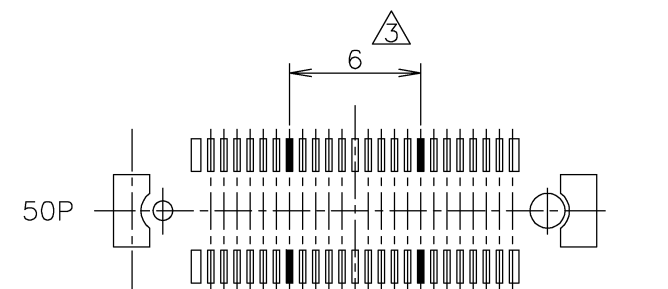
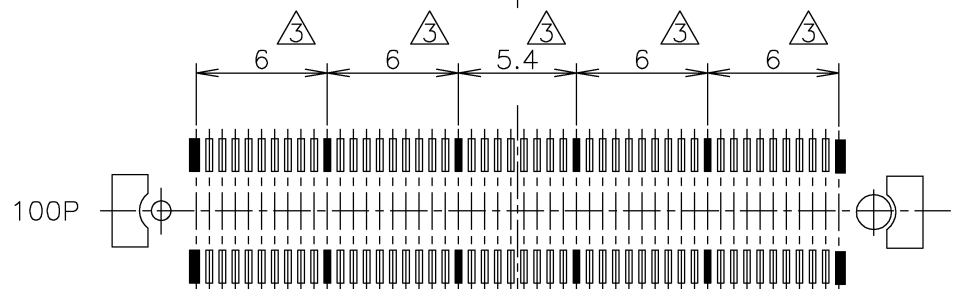
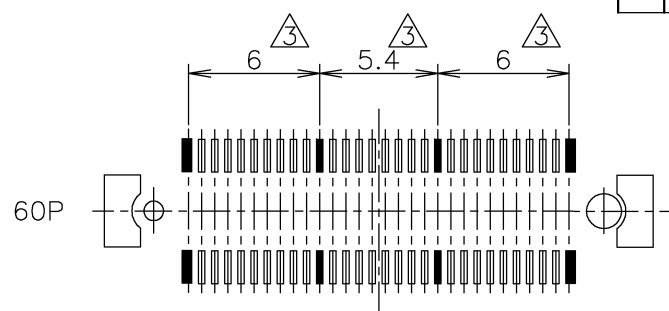
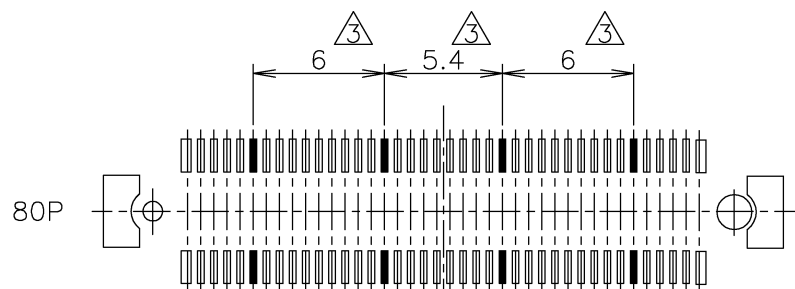
-

-

-

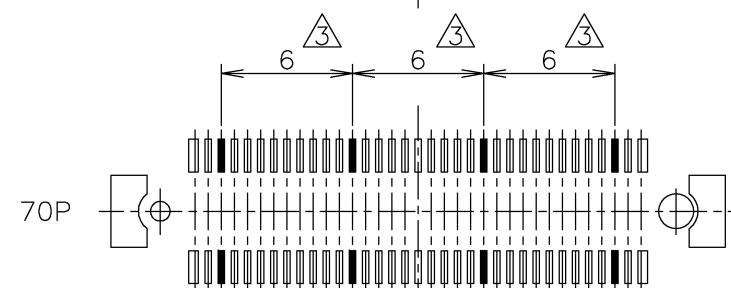
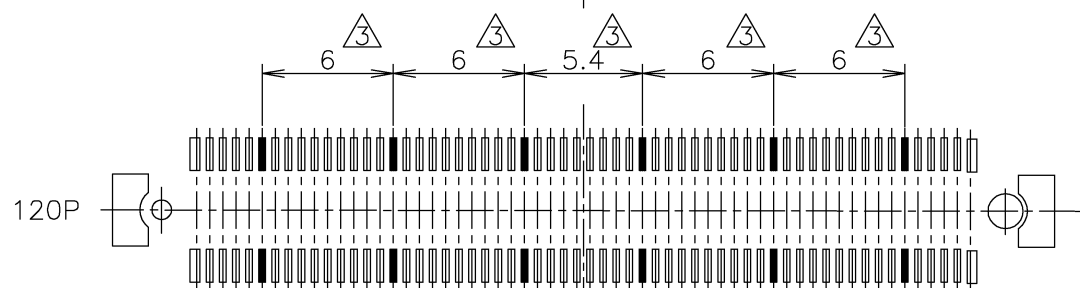
D

D



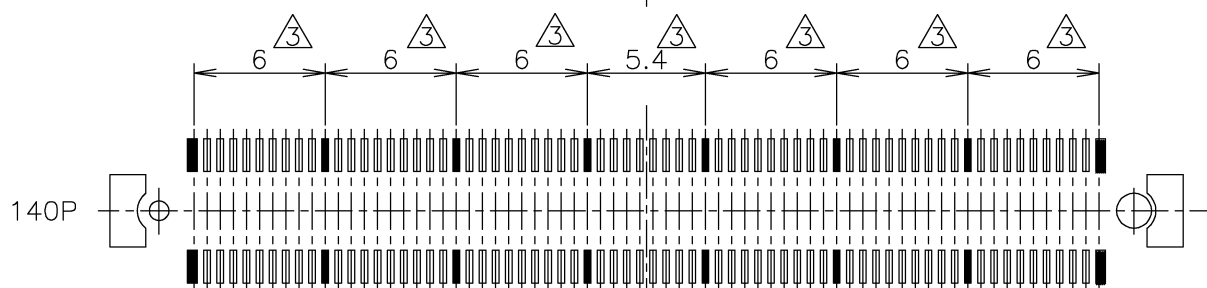
C

C



B

B



- ① MATERIAL ; HOUSING : HIGH TEMP THERMO PLASTIC  
UL94V-0  
CONTACT : COPPER ALLOY
- ② FINISH ; UNDER PL Ni 0.0013mm MIN ALL OVER.  
CONTACT AREA 0.00076 MIN Au PL.  
SOLDERING AREA: SIGNAL POS 0.00005 MIN Au PL.  
GROUND POS 0.001 MIN Sn
- ③ THIS POSITION IS GROUND CIRCUIT.

A

A

THIS DRAWING IS A CONTROLLED DOCUMENT.		DWN	Tyco Electronics Corporation Kawasaki, Japan				
DIMENSIONS: 単位: 耗 mm		CHK					
TOLERANCES UNLESS OTHERWISE SPECIFIED: 一般公差		APVD	NAME 名称 EMBOSS ASSY FH 0.6 BTB CONNECTOR REC 4H W/G-CONT WITH 1ROW CAP				
0 PLC ± 0.3 1 PLC ± 0.3 2 PLC ± 0.3 3 PLC ± 0.3 4 PLC ± 0.3 ANGLES ± 3°		PRODUCT SPEC 製品規格					
MATERIAL 材料		FINISH 仕上	APPLICATION SPEC 取付適用規格	SIZE	CAGE CODE	DRAWING NO 番号	RESTRICTED TO
			WEIGHT	A3	00779	G-2069480	
CUSTOMER DRAWING			SCALE 尺度	3:1	SHEET 4 of 4	REV B	