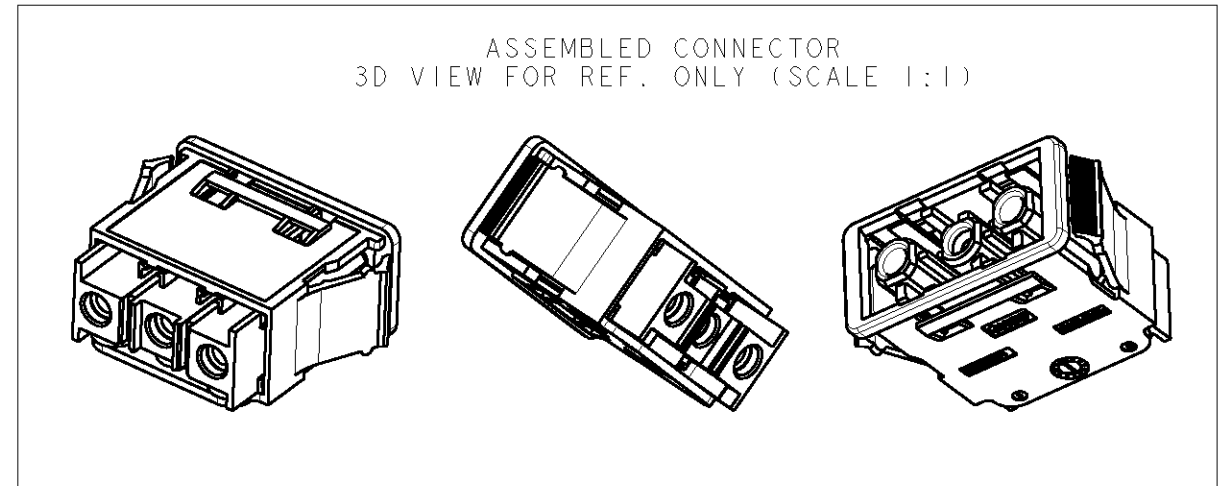
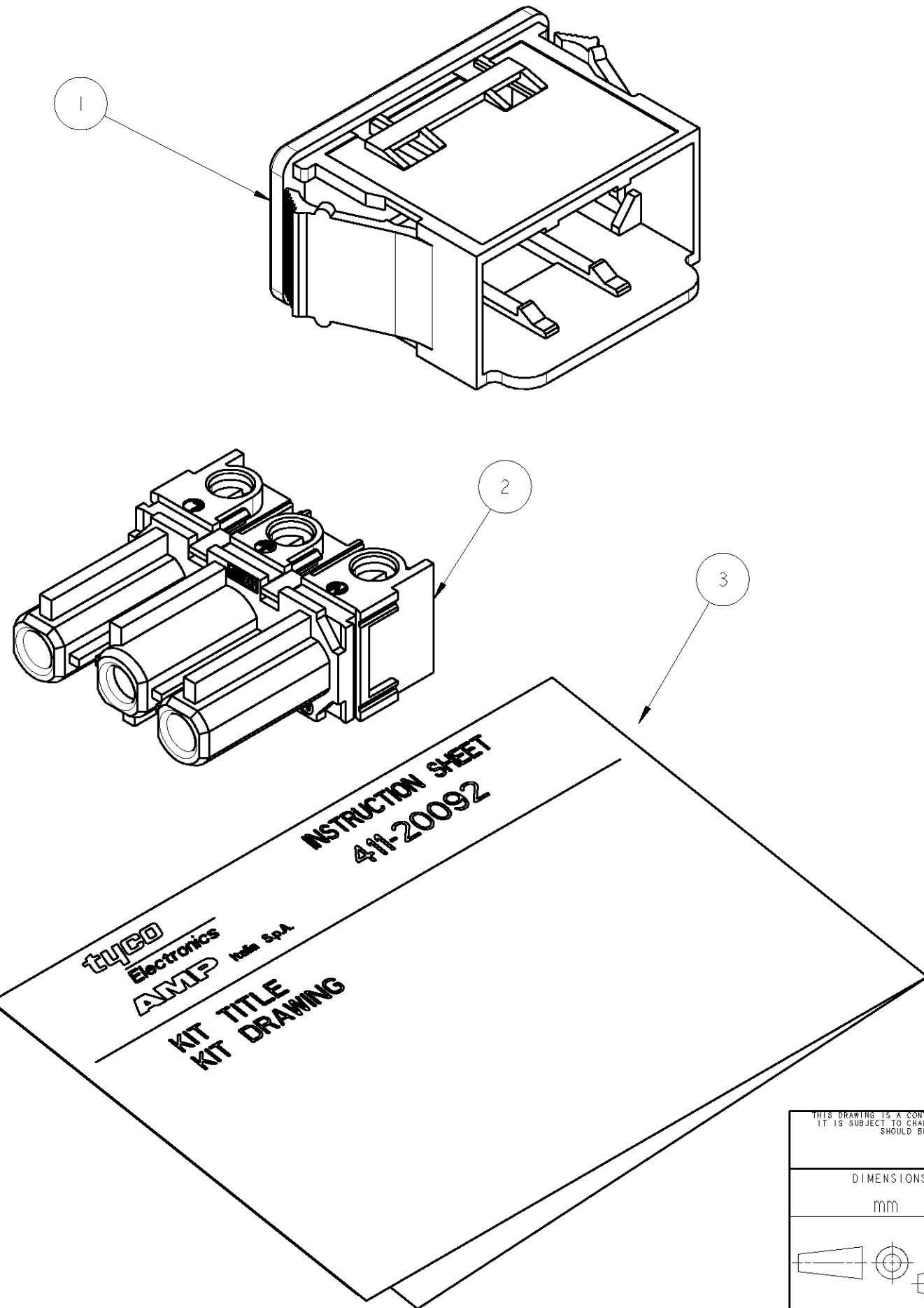


| LOC | DIST | REVISIONS | | | | | |
|-----|------|-----------|-----|-------------|-----------|-----|------|
| | | P | LTR | DESCRIPTION | DATE | DWN | APVD |
| 1 | - | | 0 | FIRST ISSUE | 06FEB2006 | UA | GT |
| | | | | | | | |
| | | | | | | | |



NOTES:

- 1) PACKAGING ACCORDING TO TYCO SPECIFICATION 107-20255
- 2) INSTRUCTION-SHEET 411-20092 SHOWS ASS'Y OPERATION FOR END USER

| Q.TA | PER ASSEMBLATO | CO.TY | REG D PER ASSY | DESCRIPTION | ITEM |
|-----------|----------------|-------|----------------|---|------|
| 1 | 1 | 2 | | TYCO INSTRUCTION SHEET | 3 |
| 1 | - | | | TYCO NECTOR* 3 POS. RECPT. CONN. SCREW TERM. (WHITE VERSION) | 2 |
| - | 1 | | | TYCO NECTOR* 3 POS. RECPT. CONN. SCREW TERM. (BLACK VERSION) | 2 |
| 1 | - | | | TYCO NECTOR* PANEL MOUNT FRAME FOR 3 POS. CONN.S. (WHITE VERSION) | 1 |
| - | 1 | | | TYCO NECTOR* PANEL MOUNT FRAME FOR 3 POS. CONN.S. (BLACK VERSION) | 1 |
| -2 | -1 | | | DESCRIPTION | ITEM |
| 1 | 1 | | | REVISION OF EACH ASS'Y N. | |
| PART LIST | | | | | |

| | | | | |
|---|---|--|--|--|
| <small>THIS DRAWING IS A CONTROLLED DOCUMENT FOR TYCO ELECTRONICS CORPORATION IT IS SUBJECT TO CHANGE AND THE CONTROLLING ENGINEERING ORGANIZATION SHOULD BE CONTACTED FOR THE LATEST REVISION.</small> | | DWN U.A.I.M.E 06FEB2006 CHK U.A.I.M.E 06FEB2006 APVD G.TURCO 06FEB2006 | tyco Electronics | AMP Italia S.p.A. C.so F.lli Cervi 15 Collegno (TO) |
| DIMENSIONS: mm | TOLERANCES UNLESS OTHERWISE SPECIFIED: 0 PLC ± 1 PLC ± 2 PLC ± 3 PLC ± 4 PLC ± ANGLES ± | PRODUCT SPEC - APPLICATION SPEC - WEIGHT - | NAME TYCO NECTOR* 3 POS. PLUG CONN. 0.5-2.5 SQMM SCREW TERM. KIT FOR PANEL MOUNT FRAME | |
| MATERIAL - | FINISH - | CUSTOMER DRAWING | SIZE A3 CAGE CODE 00779 DRAWING NO C=293114 | RESTRICTED TO - SCALE 2:1 SHEET 1 OF 1 REV 0 |