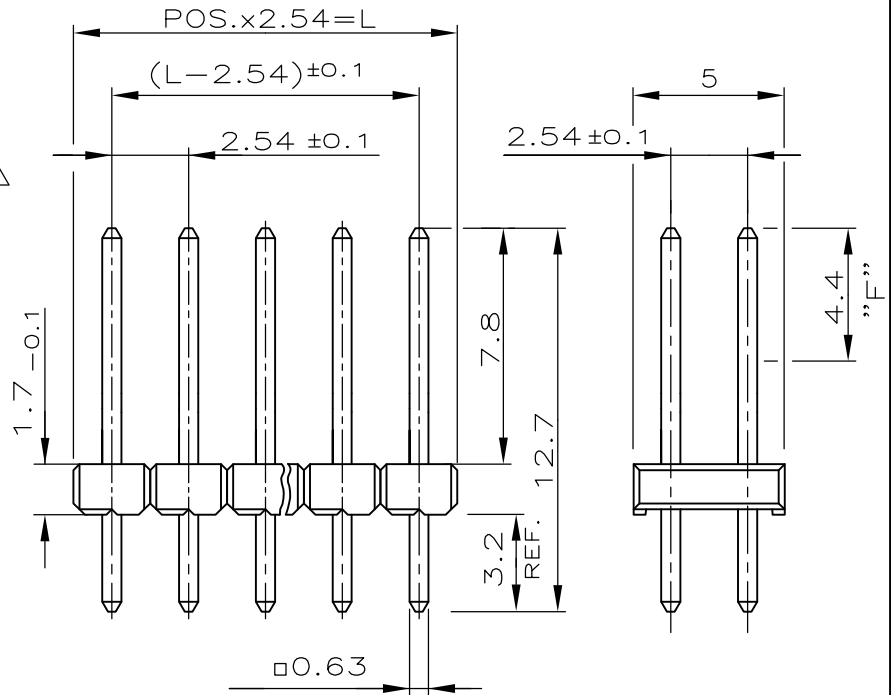


LOC	DIST	REVISIONS					
—	—	P	LTR	DESCRIPTION	DATE	DWN	APVD
		C		CONTACT PIN MATERIAL AND PLATING CHANGE	22JUL2014	KJK	JK

NICHT VERMASSTE KANTEN SIND NICHT MAßSTÄBLICH

POS. PER ROW	L±0.4	PART NUMBER	
—	—	—	—
2	5.08	828 221 -2	OBSOLETE
3	7.62		-3
4	10.16		-4
5	12.70		-5
6	15.24		-6
7	17.78		-7
8	20.32		-8
9	22.86		-9
10	25.40		-0
11	27.94	1-	-1
12	30.48	1-	-2
13	33.02	1-	-3
14	35.56	1-	-4
15	38.10	1-	-5
16	40.64	1-	-6
17	43.18	1-	-7
18	45.72	1-	-8
19	48.26	1-	-9
20	50.80	2-	-0
21	53.34	2-	-1
22	55.88	2-	-2
23	58.42	2-	-3
24	60.96	2-	-4
25	63.50	2-	-5
26	66.04	2-	-6
27	68.58	2-	-7
28	71.12	2-	-8
29	73.66	2-	-9
30	76.20	3-	-0
31	78.74	3-	-1
32	81.28	3-	-2
33	83.82	3-	-3
34	86.36	3-	-4
35	88.90	3-	-5
36	91.44	3-	-6
37	93.98	3-	-7
38	96.52	3-	-8
39	99.06	3-	-9
40	101.60	4-	-0
41	104.14	4-	-1
42	106.68	4-	-2
43	109.22	4-	-3
44	111.76	4-	-4
45	114.30	4-	-5
46	116.84	4-	-6
47	119.38	4-	-7
48	121.92	4-	-8
49	124.46	4-	-9
50	127.00	5- 828 221 -0	OBSOLETE



- 1 MATING SIDE: MIN. 0.7µm PdNi + MIN. 0.1µm GOLD FLASH BY AREA "F" OVER 1.27µm NICKEL  
SOLDER SIDE : MIN. 2.5µm TIN OVER 1.27µm NICKEL
- 2 OBSOLETE PARTS: OBSOLETE CIS STREAMLINING PER D.RENAUD/D.SINISI

CONTACT PIN	CuZn	1
PIN HOUSING	PBT	GREEN
DESCRIPTION	MATERIAL	COLOR FINISH

THIS DRAWING IS UNPUBLISHED.

ALL RIGHTS RESERVED.

COPYRIGHT - By -

DIMENSIONS: mm	DWN	20.02.85	MATERIAL	SEE TABLE	FINISH	SEE TABLE
	CHK	22.02.85	TE Connectivity			
TOLERANCES UNLESS OTHERWISE SPECIFIED:	APVD	—				
±0.2 mm	PRODUCT SPEC	108-18012	SIZE	CAGE CODE	DRAWING NO	RESTRICTED TO
0 PLC ± -	APPLICATION SPEC	—	A4	00779	C-828221	—
1 PLC ± -	WEIGHT	—	CUSTOMER DRAWING			SCALE
2 PLC ± -						4:1
3 PLC ± -						SHEET
4 PLC ± -						1 OF 1
ANGLES ± -						REV
						C