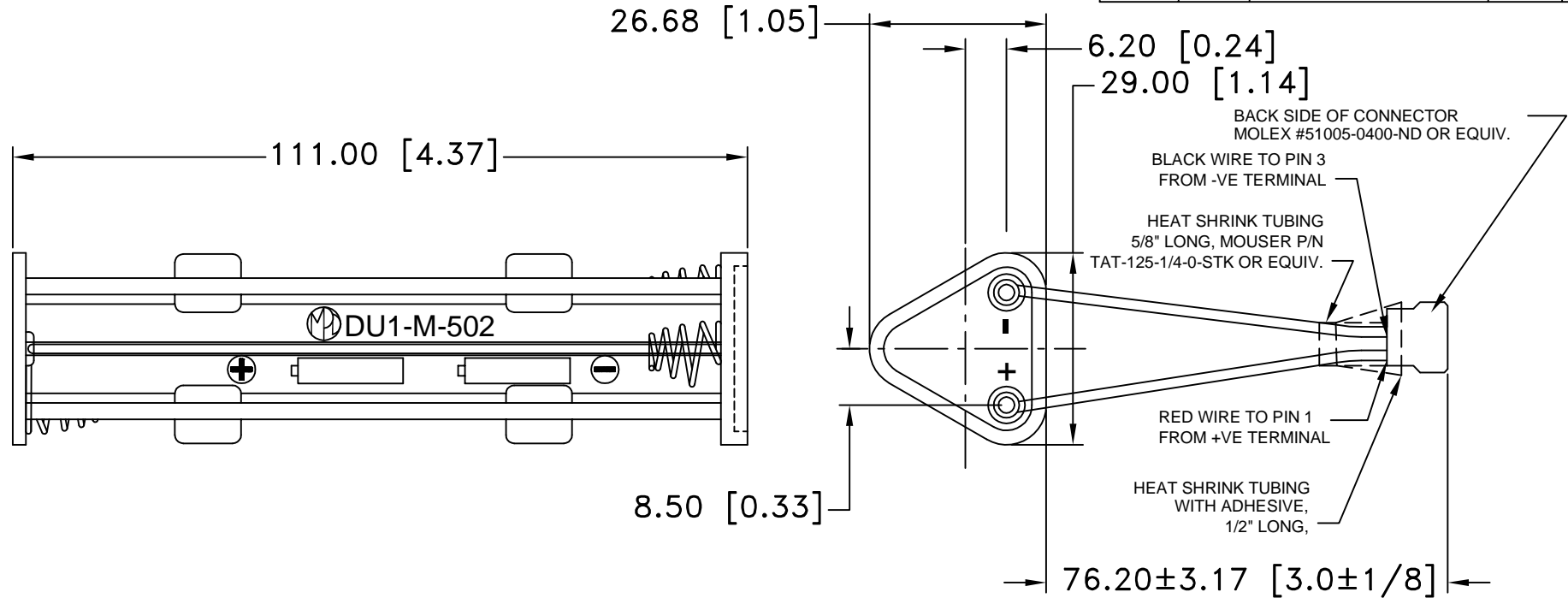



| Date     | SYM | REVISION RECORD   | AUTH | DR.  | CK. |
|----------|-----|---|------|------|-----|
| 06/11/05 | A   | Black wire to pin 3 was Red<br>Added heat shrink tubing | T.B. | B.S. |     |
| 06/25/05 | B   | Black wire to pin 3 was Red                             | T.B. | B.S. |     |
| 10/08/05 | C   | Changed to Heat Shrink tubing<br>w/adhesive             | T.B. | B.S. |     |
| 11/05/05 | D   | Added note #9   | T.B. | B.S. |     |
| 4/22/06  | E   | Added "ROHS COMPLIANT"                                  | T.B. | B.S. |     |



NOTES:

- HOUSING: POLYPROPYLENE WITH 10% TALC.
- LUGS: BRASS, NICKLE PLTD.
- BUMP PLATES: MILD STEEL G3141 NICKLE PLTD.
- EYELETS: BRASS, NICKLE PLTD.
- SPRINGS: HARD DRAWN STEEL WIRE JIS G 3521 NICKLE PLTD.
- WIRE: BLACK AND RED, 2 5/8 ±1/8 LONG
- CONNECTOR: MOLEX OR EQUIV.  
MOLEX #51005-0400-ND OR EQUIV.  
FEMALE 4-PIN CONNECTOR. PIN CENTERS=.079".
- CONTACTS: MOLEX OR EQUIV.  
MOLEX #50013
- CRIMP TERMINAL CONNECTIONS FOR WIRES
- ROHS COMPLIANT

|                                |   |                                   |  |
|--------------------------------|---|-----------------------------------|--|
| Tolerance<br>(Except as noted) |  <b>Memory Protection Devices, Inc</b><br>200 Broad Hollow Road, Farmingdale, New York 11735 |                                   |  |
| decimal<br>±.5 (.020)          | Scale   | Drawn By B.S.                     |  |
| Fractional<br>± .8 (.030)      | Title   | Approved By T.B.                  |  |
| Angular<br>± 3°                | Date<br>4/22/06   | Drawing Number<br>BK-5075         |  |
|                                |   | SIX "AA" SIZE CELL BATTERY HOLDER |  |