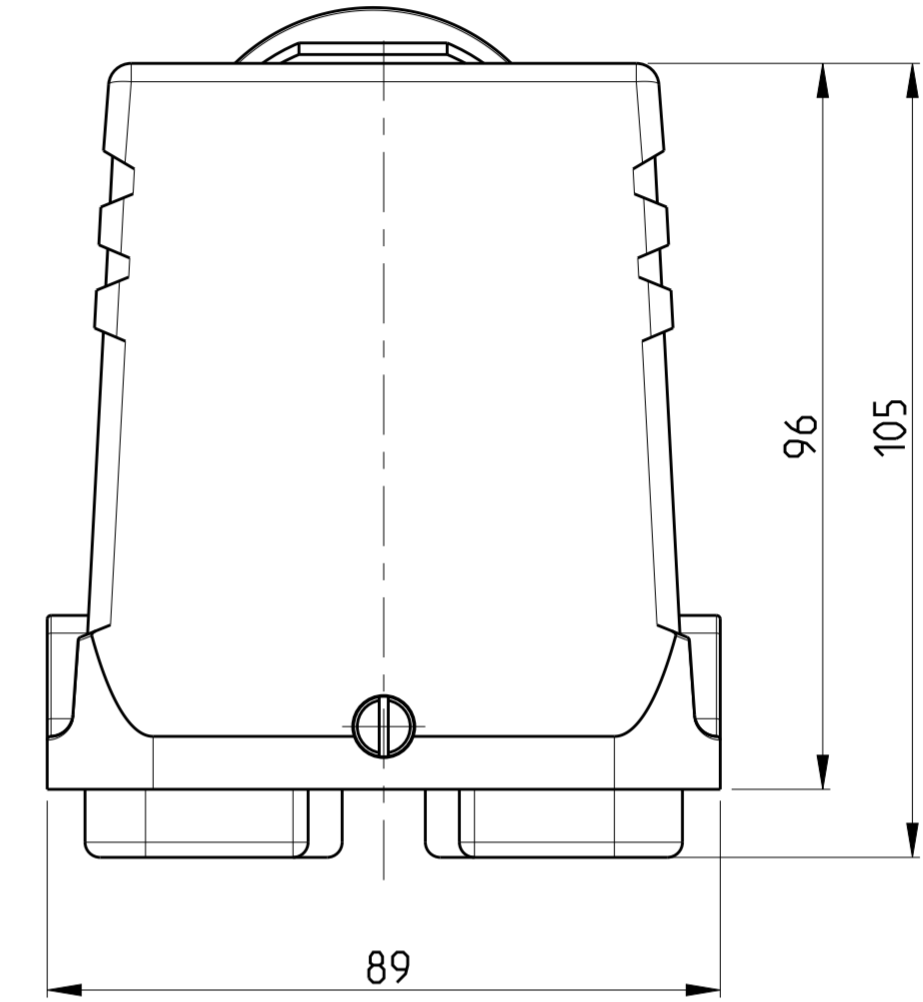
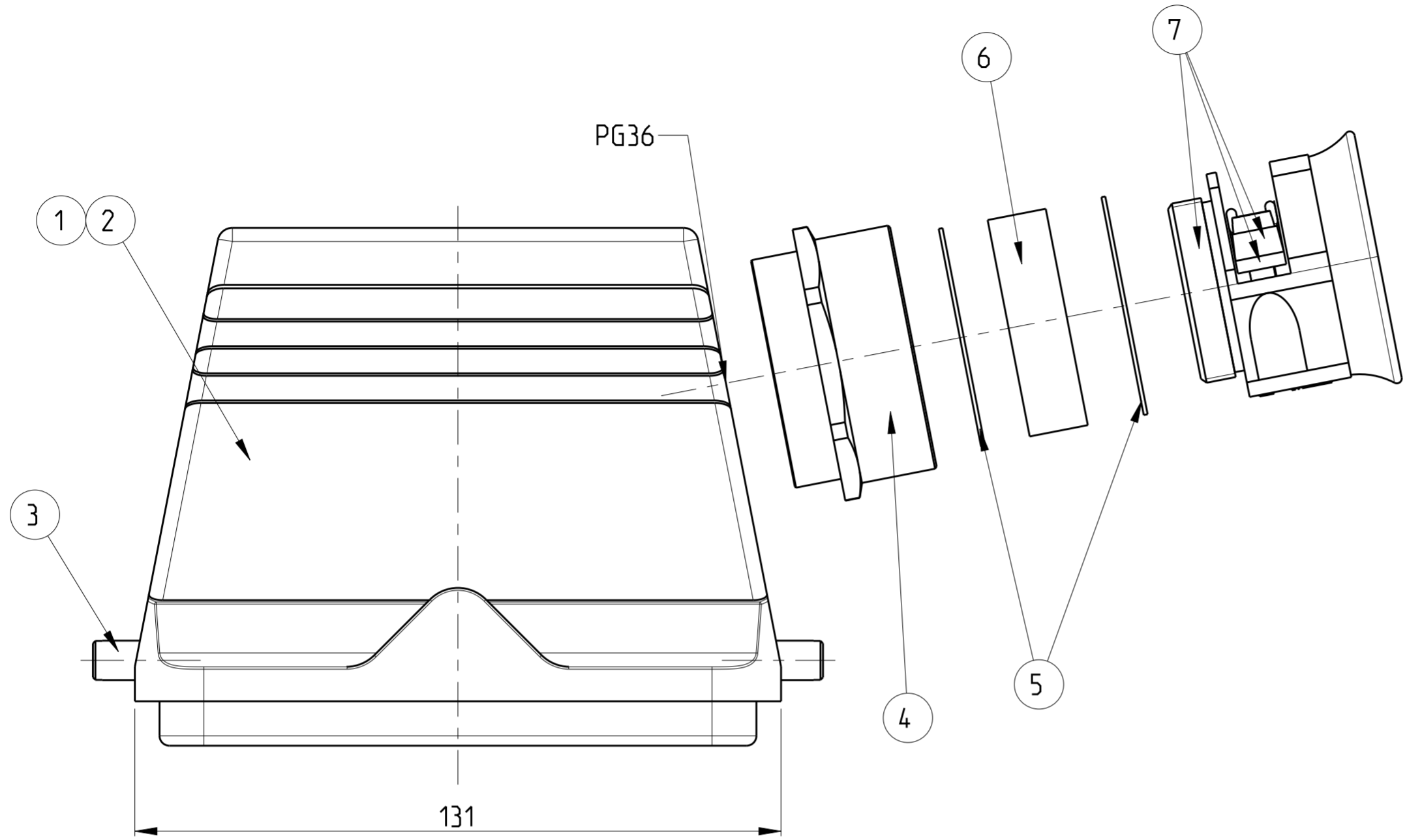


THIS DRAWING IS UNPUBLISHED. RELEASED FOR PUBLICATION 2006
 © COPYRIGHT 2006 BY - ALL RIGHTS RESERVED.

REVISIONS					
P	LTR	DESCRIPTION	DATE	DWN	APVD
A3		new pro/E drawing ECR-08-022832	05AUG2008	SR	ST
A4		ECR-15-016632	28NOV2016	GCM	MKO



NOTES

- 1 PART SHALL BE FREE AND CLEAN OF BURRS AND OTHER FOREIGN MATERIAL
- 2 PACKAGING: QUANTITY 3 PIECES

OBSOLETE

QTY	DESCRIPTION	MATERIAL	SURFACE	COLOR	ITEM	NOTES
1	TDS-CABLE FITING	ALU		WITHOUT VARNISH	7	PG36
1	CLOSE RING	NEOPRENE		BLACK	6	PG36
2	PRESSING RING	STEEL	ZINC PLATED	BLUE	5	PG36
1	ADAPTOR	BRASS	NICKEL PLATED	BLUE	4	PG36
2	CLIP BOLT	STAINLESS STEEL	ZINC PLATED	BLUE	3	
1	HOOD HB	ALU		GREY	2	NEUTRAL
1	HOOD HB	ALU		GREY	1	
0-1	1-7	DESCRIPTION	MATERIAL	SURFACE	COLOR	ITEM NOTES
HB.48.STS-GR.1.36						
HB.48.ST-GR.1.36.G						

THIS DRAWING IS A CONTROLLED DOCUMENT.

DWN R.SCHNEIDER 05AUG2008	CHK T.SCHNURPFEL 05AUG2008	APVD -	NAME HOOD HB.48.STS-GR.1.36 HOOD
DIMENSIONS: mm		TOLERANCES UNLESS OTHERWISE SPECIFIED: 0 PLC ± 1 PLC ± 2 PLC ± 3 PLC ± 4 PLC ± ANGLES ±° FINISH	PRODUCT SPEC -
MATERIAL -		WEIGHT -	SIZE A2
CUSTOMER DRAWING		SCALE 1:1	RESTRICTED TO -

TE Connectivity

DRAWING NO: C-1102374

SHEET 1 OF 1 REV A4