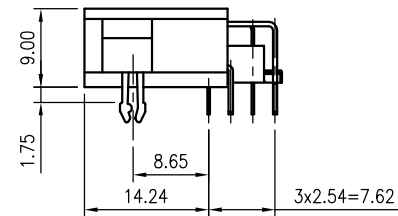
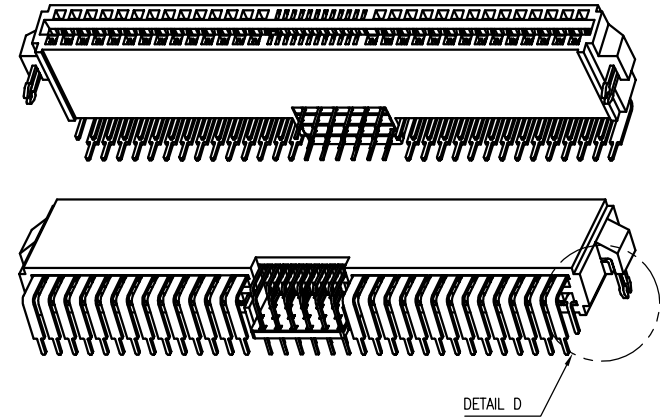
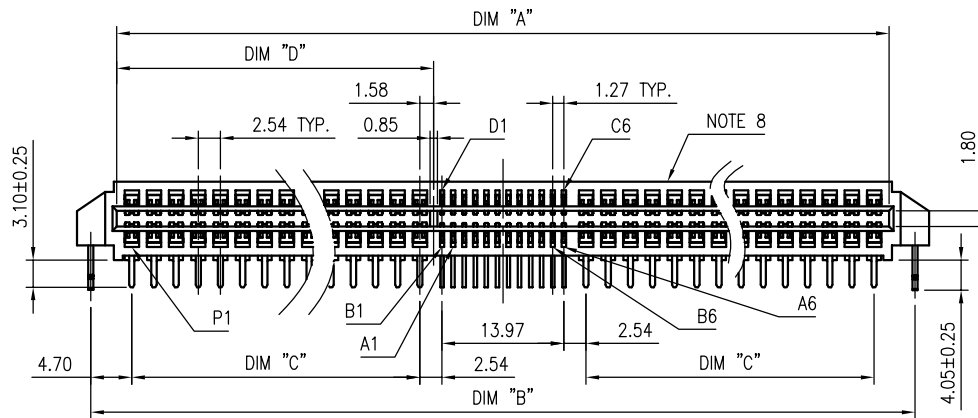
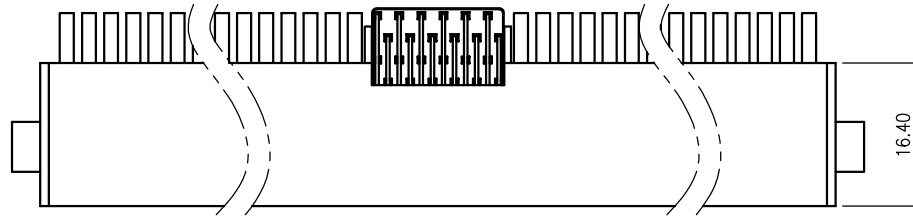


PRODUCT NO.

10028886-XXX__

NOTE: ④



NOTE:

- MATERIAL
HOUSING: HIGH TEMPERATURE THERMOPLASTIC, UL 94V-0 RATED, BLACK.
CONTACT: POWER PIN- HIGH CONDUCTIVITY COPPER ALLOY
SIGNAL PIN- COPPER ALLOY
- PRODUCT SPECIFICATION: GS-12-259.
- PACKAGE SPECIFICATION: GS-14-937.
- PLATING SPEC:
—10028886-XXX BOTH AREA ALL OVER 50u" NICKEL UNDERPLATED.
POWER PIN- 30u" GOLD ON MATING AREA;
SIGNAL PIN= 15u" GOLD ON MATING AREA;
BOTH SOLDER TAILS- 100u" MATTE TIN/LEAD.
—10028886-XXXLF BOTH AREA ALL OVER 50u" NICKEL UNDERPLATED.
POWER PIN- 30u" GOLD ON MATING AREA;
SIGNAL PIN= 15u" GOLD ON MATING AREA;
BOTH SOLDER TAILS- 100u" MATTE PURE Sn.
- P/N 10028886-XXXLF MEETS EUROPEAN UNION DIRECTIVE AND OTHER COUNTRY REGULATIONS AS DESCRIBED IN GS-22-008.

- THE HOUSING WILL WITHSTAND EXPOSURE TO 260°C PEAK TEMPERATURE FOR 10 SECONDS IN A WAVE SOLDER APPLICATION WITH A CIRCUIT BOARD.
- MANUFACTURER'S NAME, P/N AND DATE CODE TO APPEAR ON THIS SURFACE AS PER GS-24-007.

rev	ecn no	dr	date
H	DG06-0306	RY	2006-08-04
J	DG06-0524	JW	2006-12-26
K	DG10-0117	Junor	2010-03-25
L	DG11-0026	WL	2011-01-24
M	DG-011942	HZ	2012-06-15
N	ELX-DG-14497-1	JULIA	2013-04-12

spec ref	-	dr	JULIA WANG	2013-04-12	projection	MM	size	A2	scale	NONE
tolerance std	-	eng	JULIA WANG	2013-04-12			ecn no	rel level	RELEASED	rev
ASME Y14.5	TOLERANCES UNLESS OTHERWISE SPECIFIED	chr	WL ZHANG	2013-04-12						
surface	✓	appr	PM ZHENG	2013-04-12	title	POWER EDGE CARD CONNECTOR ASS'Y	cat. no.	10028886	rev	N
ASME Y14.5	linear	0.X	±0.25	0.XX	±0.15	0.XXX	±0.10	angular	0°	±2°

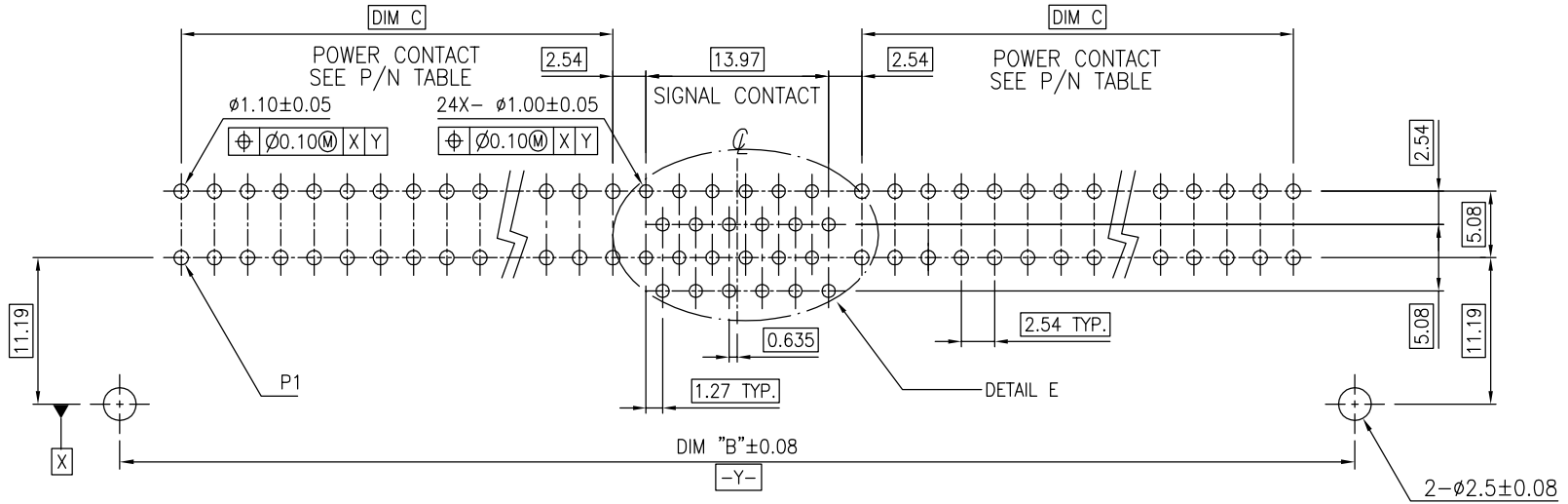


Copyright FCI

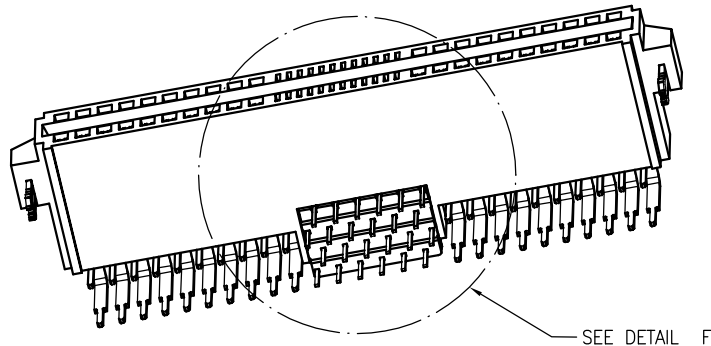
PRODUCT NO.

10028886-XXX__

NOTE: (4)



RECOMMENDED PCB LAYOUT



SEE DETAIL F



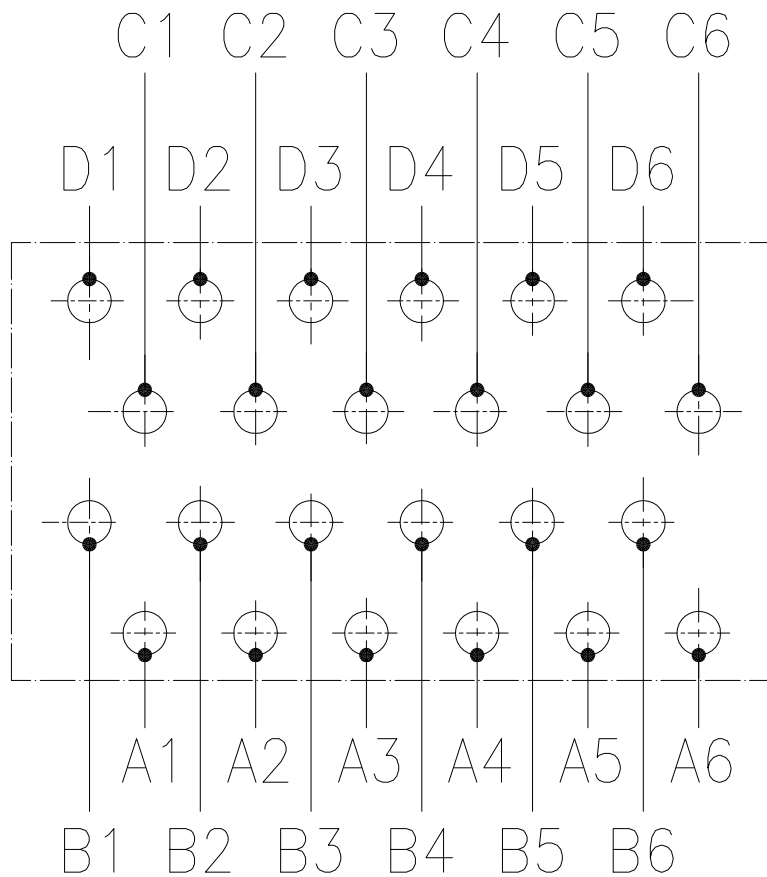
Copyright FCI

dr	JULIA WANG	2013-04-12	projection	MM	size	A2	scale	NONE
eng	JULIA WANG	2013-04-12			ecn no		rel level	
chr	WL ZHANG	2013-04-12			-		RELEASED	
appr	PM ZHENG	2013-04-12	product family	POWER EDGE CARD				
			title	POWER EDGE CARD CONNECTOR ASS'Y	no	10028886	rev	N
www.fci.com			cat. no.	-	Product	Customer Drw	sheet 2 of 5	

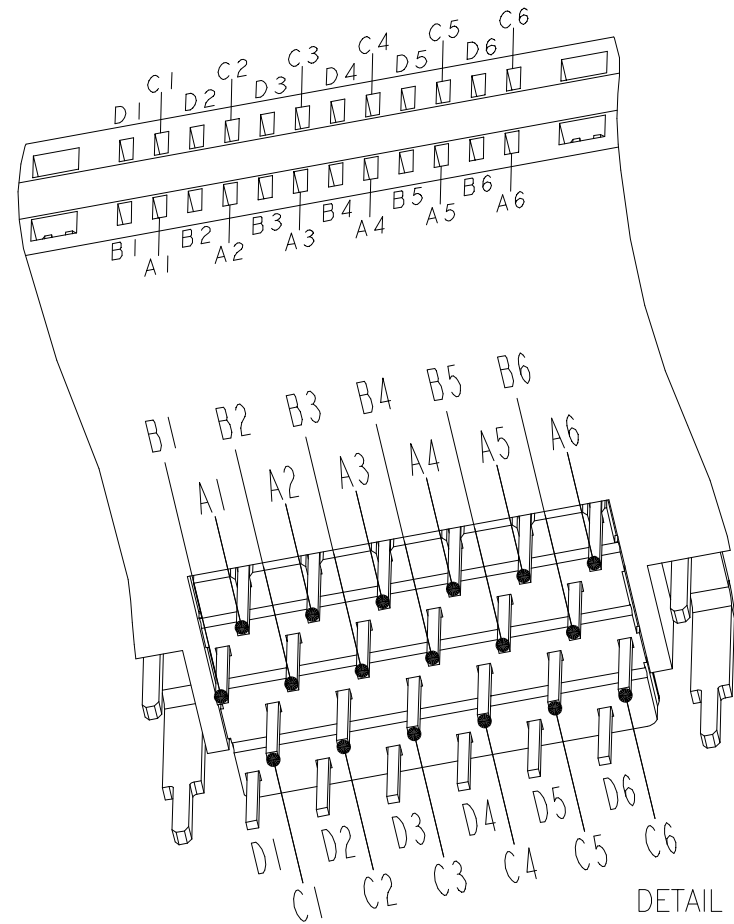
PRODUCT NO.

10028886-XXX__

NOTE: ④



DETAIL E



DETAIL F



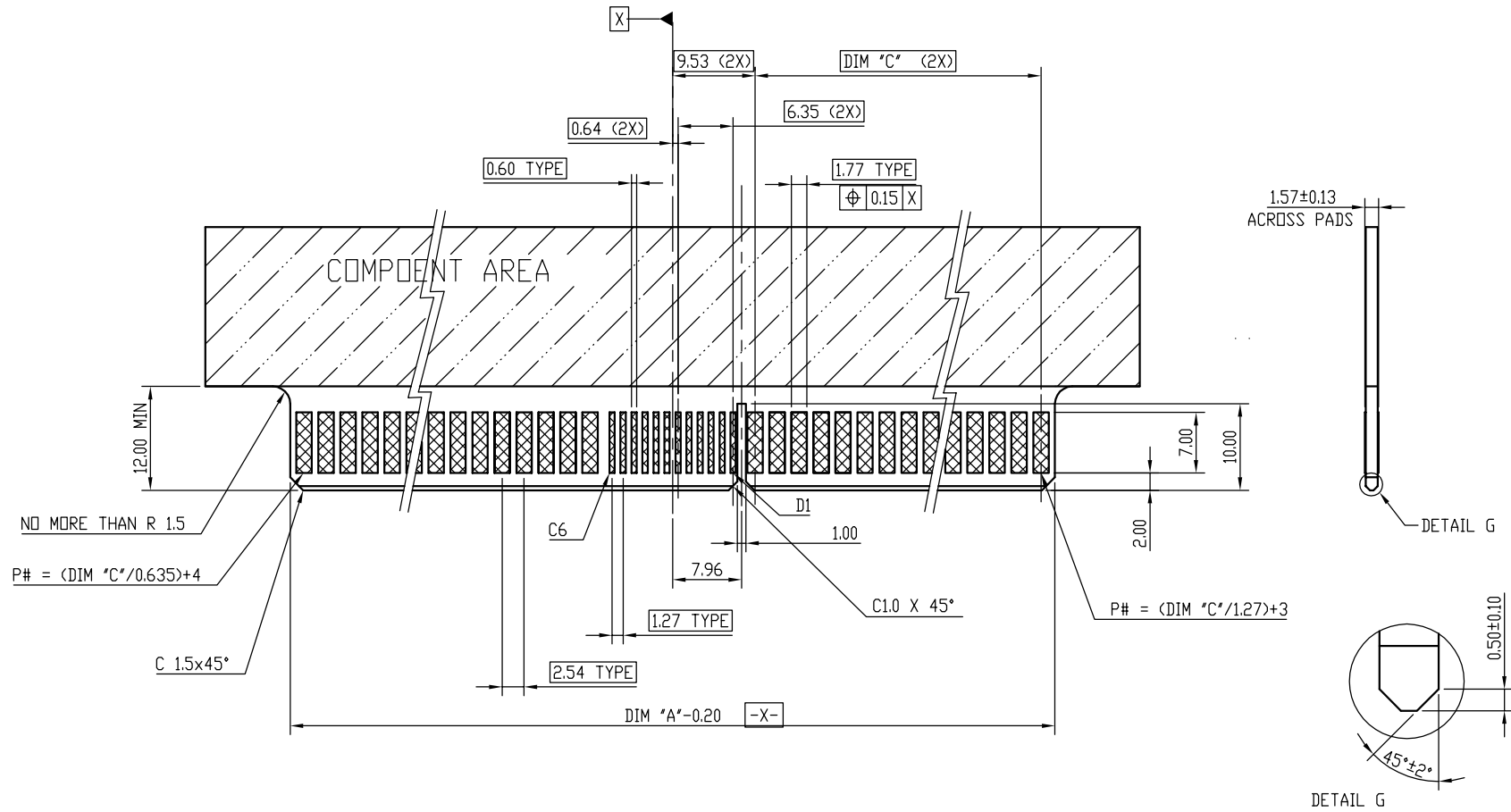
Copyright FCI

dr	JULIA WANG	2013-04-12	projection	MM	size	A2	scale	NONE
eng	JULIA WANG	2013-04-12			ecn no			
chr	WL ZHANG	2013-04-12			rel level	RELEASED		
appr	PM ZHENG	2013-04-12	product family	POWER EDGE CARD	rel level	RELEASED		
			title	POWER EDGE CARD CONNECTOR ASS'Y	ecn no	10028886	rev	N
www.fci.com			cat. no.	-	Product - Customer Drw	sheet 3 of 5		

PRODUCT NO.

10028886-XXX__

NOTE: ④



RECOMMENDED MODULE BOARD LAYOUT



Copyright FCI

dr	JULIA WANG	2013-04-12	projection	MM	size	A2	scale	NONE
eng	JULIA WANG	2013-04-12			ecm no			
chr	WL ZHANG	2013-04-12			product family	POWER EDGE CARD	rel level	RELEASED
appr	PM ZHENG	2013-04-12			title	POWER EDGE CARD CONNECTOR ASS'Y	no	10028886
www.fci.com			cat. no.	-	Product - Customer Drw	sheet 4 of 5	rev	N

1	2		3		4	5	6	7	8
PART NO.	DIM "A"	DIM "B"	DIM "C"	DIM "D"	HOUSING CAVITY CONF. (PAIR)	CONTACT CONFIGURATION(SEE NOTE)			
10028886-001	42.80	48.77	10.16	13.46	5P + 12S + 5P	ALL LOADED			
10028886-001LF									
10028886-002	52.96	58.93	15.24	18.54	7P + 12S + 7P	ALL LOADED			
10028886-002LF									
10028886-003	88.52	94.49	33.02	36.32	14P + 12S + 14P	ALL LOADED			
10028886-003LF									
10028886-003A	88.52	94.49	33.02	36.32	14P + 12S + 14P				
10028886-003ALF									
10028886-003B	88.52	94.49	33.02	36.32	14P + 12S + 14P				
10028886-003BLF									
10028886-003C	88.52	94.49	33.02	36.32	14P + 12S + 14P				
10028886-003CLF									
10028886-103	88.52	94.49	33.02	36.32	14P + 12S + 14P	ALL LOADED, NO HOLD DOWN			
10028886-103LF									
10028886-004	68.20	74.17	22.86	26.16	10P + 12S + 10P	ALL LOADED			
10028886-004LF									
10028886-004A	68.20	74.17	22.86	26.16	10P + 12S + 10P				
10028886-004ALF									
10028886-004B	68.20	74.17	22.86	26.16	10P + 12S + 10P				
10028886-004BLF									
10028886-004CLF	68.20	74.17	22.86	26.16	10P + 12S + 10P				
10028886-007LF	88.52	94.49	33.02	36.32	14P + 12S + 14P				



Copyright FCI

NOTE:
 1."P" FOR POWER PIN;
 "S" FOR SIGNAL PIN;
 "□" FOR NOT LOADED

dr	JULIA WANG	2013-04-12	projection		size	A2	scale	NONE
eng	JULIA WANG	2013-04-12	ecr no					
chr	WL ZHANG	2013-04-12	product family	POWER EDGE CARD	rel level	RELEASED		
appr	PM ZHENG	2013-04-12	title	POWER EDGE CARD CONNECTOR ASS'Y	ecr no	10028886	rev	N
www.fci.com			cat. no.	-	Product	Customer	Drw	sheet 5 of 5