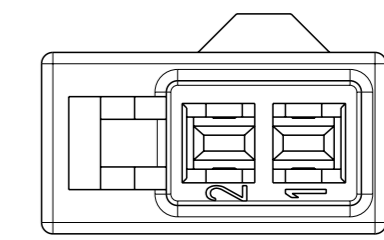
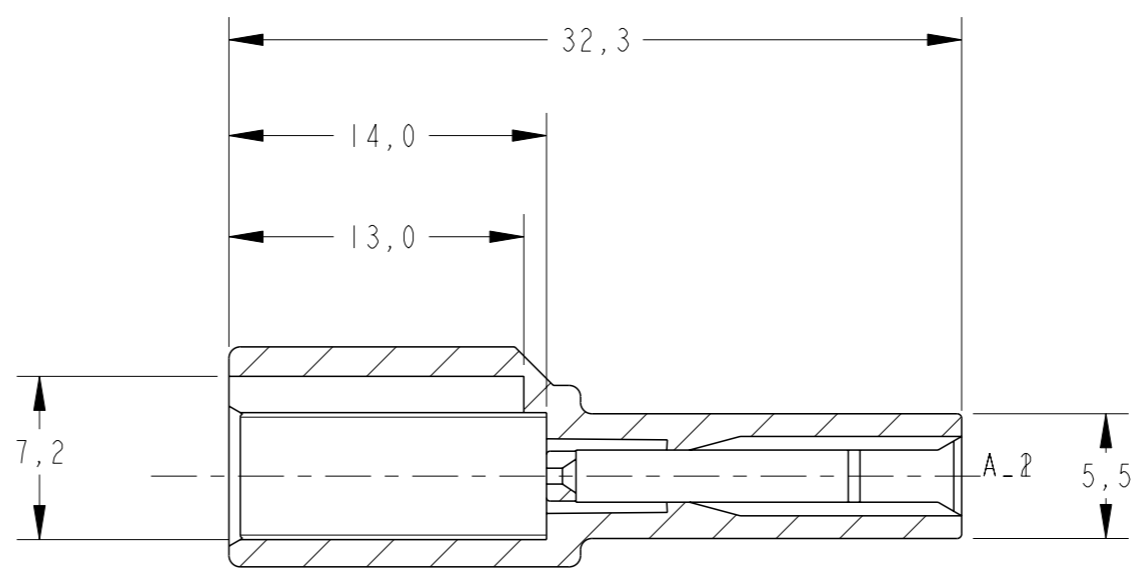
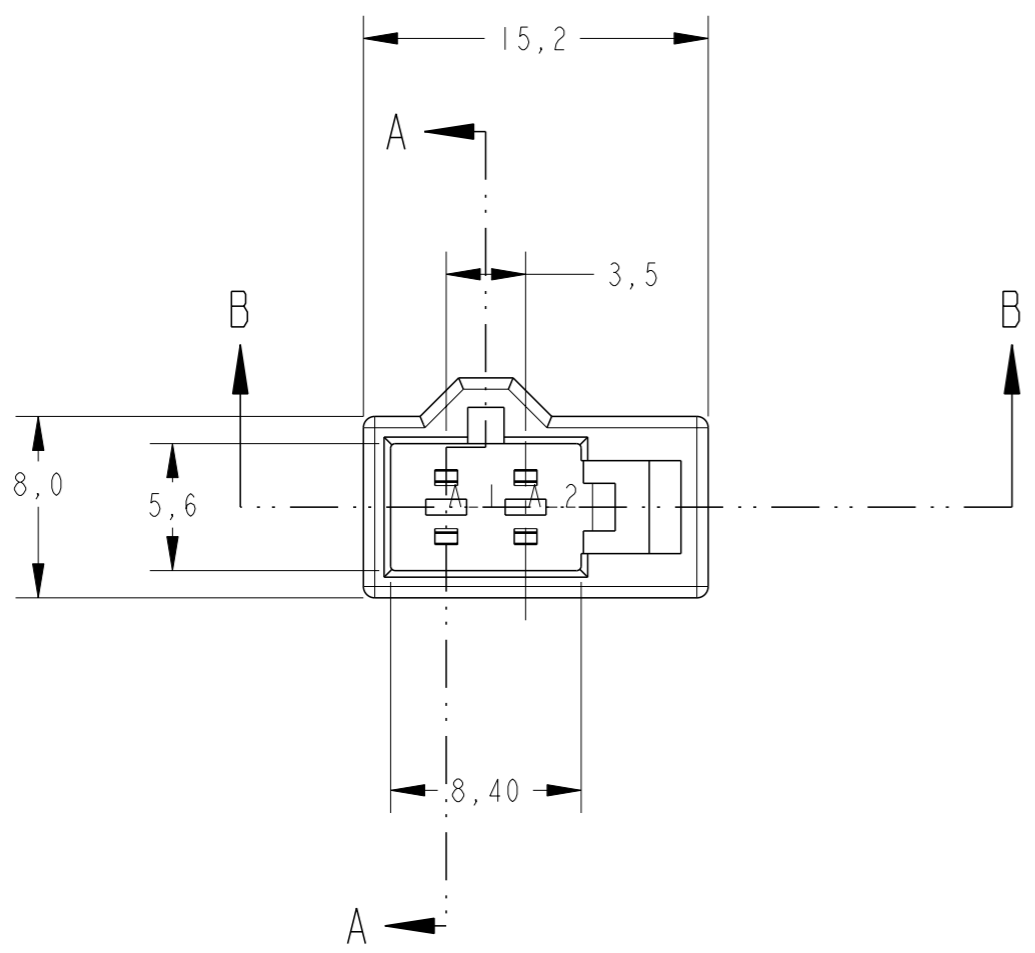
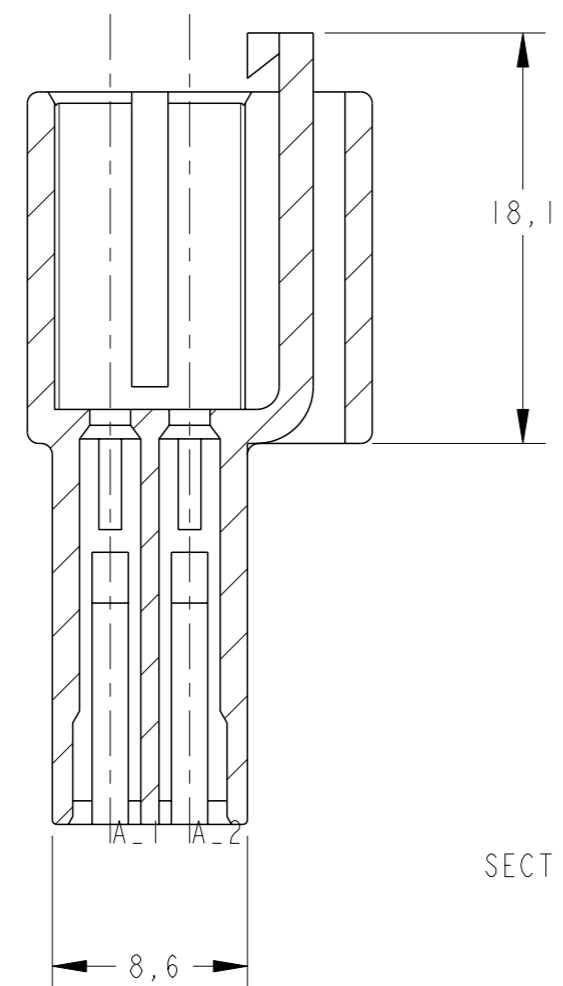


THIS DRAWING IS UNPUBLISHED. RELEASED FOR PUBLICATION  
 © COPYRIGHT - ALL RIGHTS RESERVED.

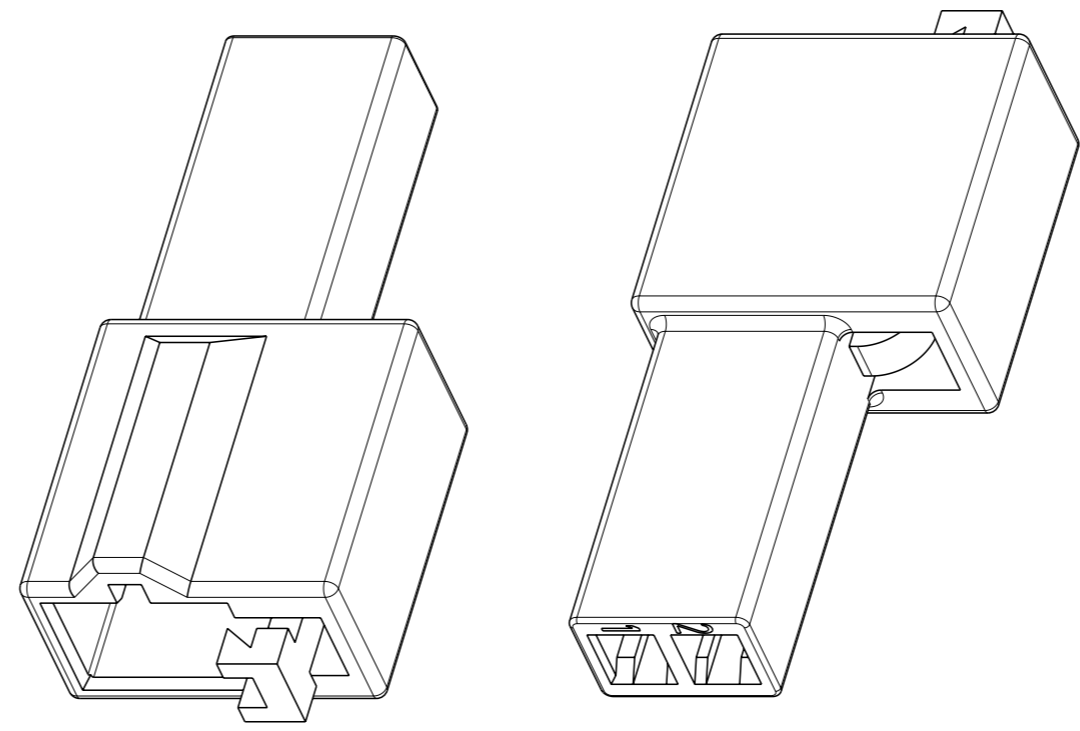
LOC		DIST		REVISIONS			
P	LTR	DESCRIPTION	DATE	DWN	APVD		
AP	-						
	O	ERA 9729076-001	26JUN97	PLF	JRG		
	A	REVISED BY ECO-12-009549	21MAR2012	PP	GOJ		



SECTION A-A



SECTION B-B



PERSPECTIVE VIEW

GRAVAÇÃO MARKING
LOGOTIPO AMP AMP LOGO
CÓDIGO PAÍS PRODUTOR MANUFACTURER COUNTRY CODE
NOMENCLATURA MATERIAL MATERIAL NOMENCLATURE
NÚMERO COMPONENTE AMP AMP COMPONENT NUMBER
NÚMERO CAVIDADE CAVITY NUMBER
IDENTIFICAÇÃO CIRCUITO CIRCUIT IDENTIFICATION
LOGOTIPO VW VW LOGO
NÚMERO PEÇA CLIENTE CUSTOMER PART NUMBER

PRETO BLACK	PA 6.6	493224-1
FINISH	MATERIAL	PART NUMBER

THIS DRAWING IS A CONTROLLED DOCUMENT.		DWN M.R. BRIZ 21MARI997	TE Connectivity	
DIMENSIONS: mm		CHK J.R. GOLDSCHMIDT 26JUN1997		
TOLERANCES UNLESS OTHERWISE SPECIFIED:		APVD A. VICENZA 20AUG1997	NAME	
0 PLC ± 1 PLC ±0,3 2 PLC ±0,2 3 PLC ± 4 PLC ± ANGLES ±1° FINISH		PRODUCT SPEC	HOUSING, 2 POSN., MICRO TIMER TAB.	
MATERIAL SEE TABLE		APPLICATION SPEC	SIZE	CAGE CODE
		WEIGHT	A2	00779
		CUSTOMER DRAWING	DRAWING NO	RESTRICTED TO
		SCALE	3:1	SHEET 1 OF 1
		REV	A	