



PART NAME

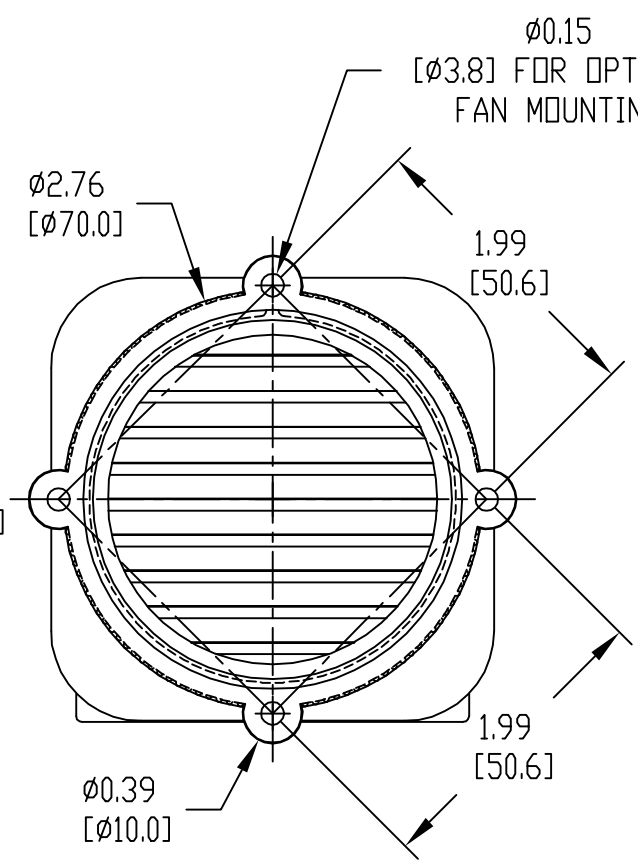
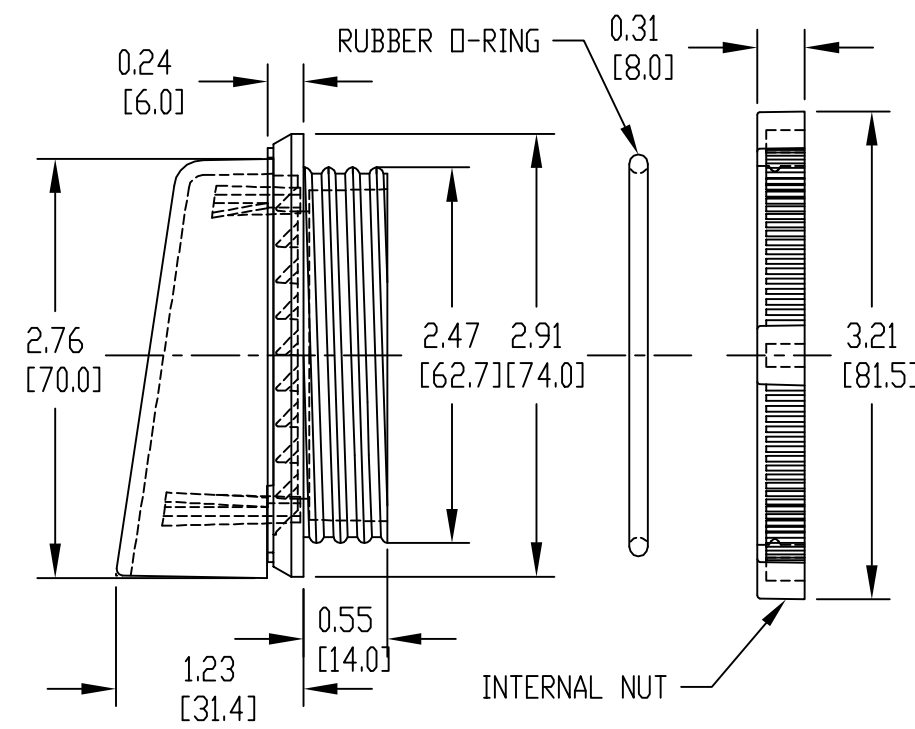
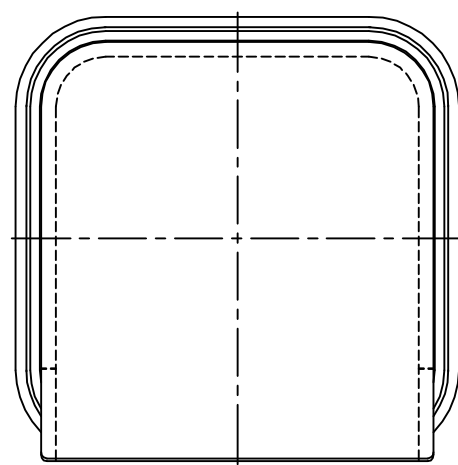
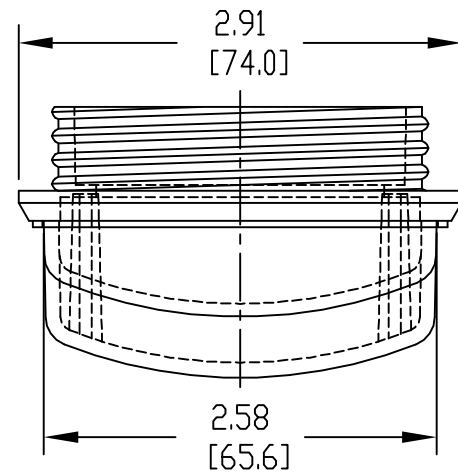
WIDE OPENING EXTERNAL VENT

PART No.

IPV-1115

REV. DATE

4-10-14

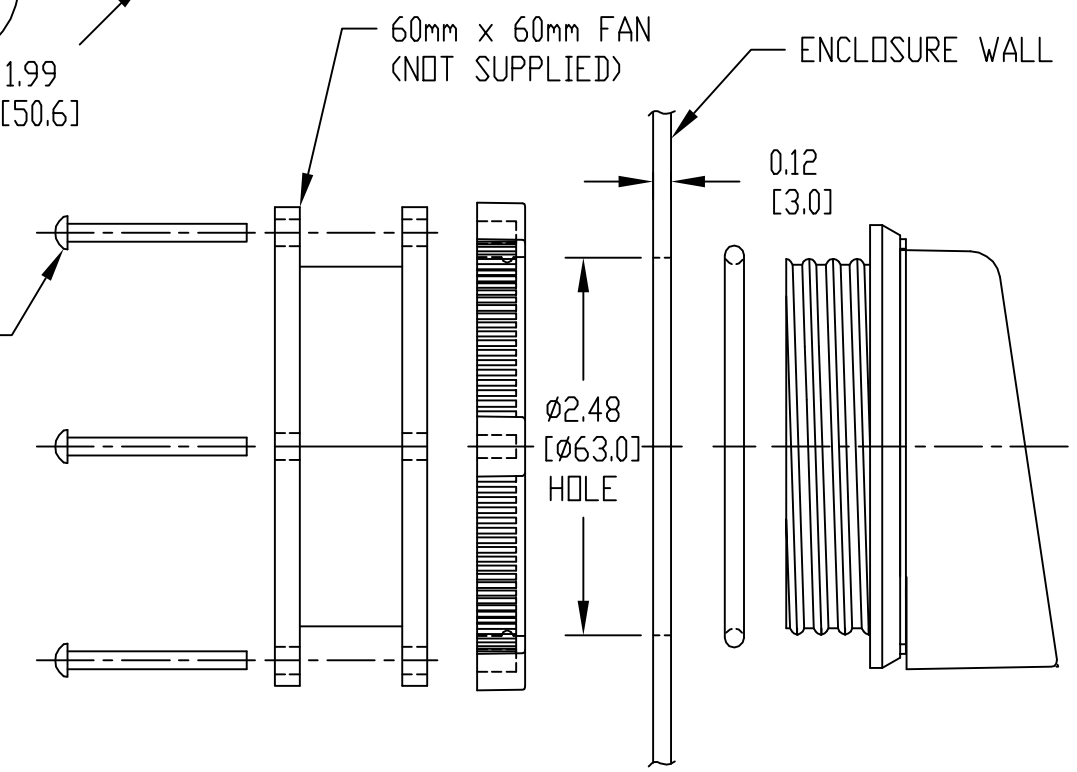


MATERIAL: POLYCARBONATE 10% FIBERGLASS REINFORCED
 COLOR: LIGHT GRAY

ALL DIMENSIONS HAVE ±0.03[0.76] TOLERANCE UNLESS OTHERWISE SPECIFIED

DIMENSIONS ARE INCH[MM]

M4 SCREWS
 LENGTH AS REQUIRED
 (NOT SUPPLIED)



TYPICAL INSTALLATION