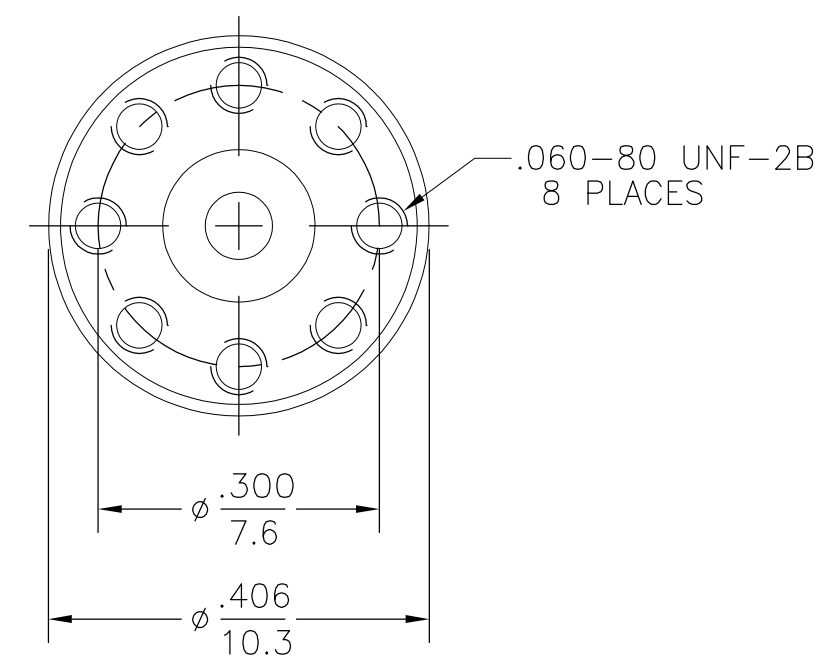
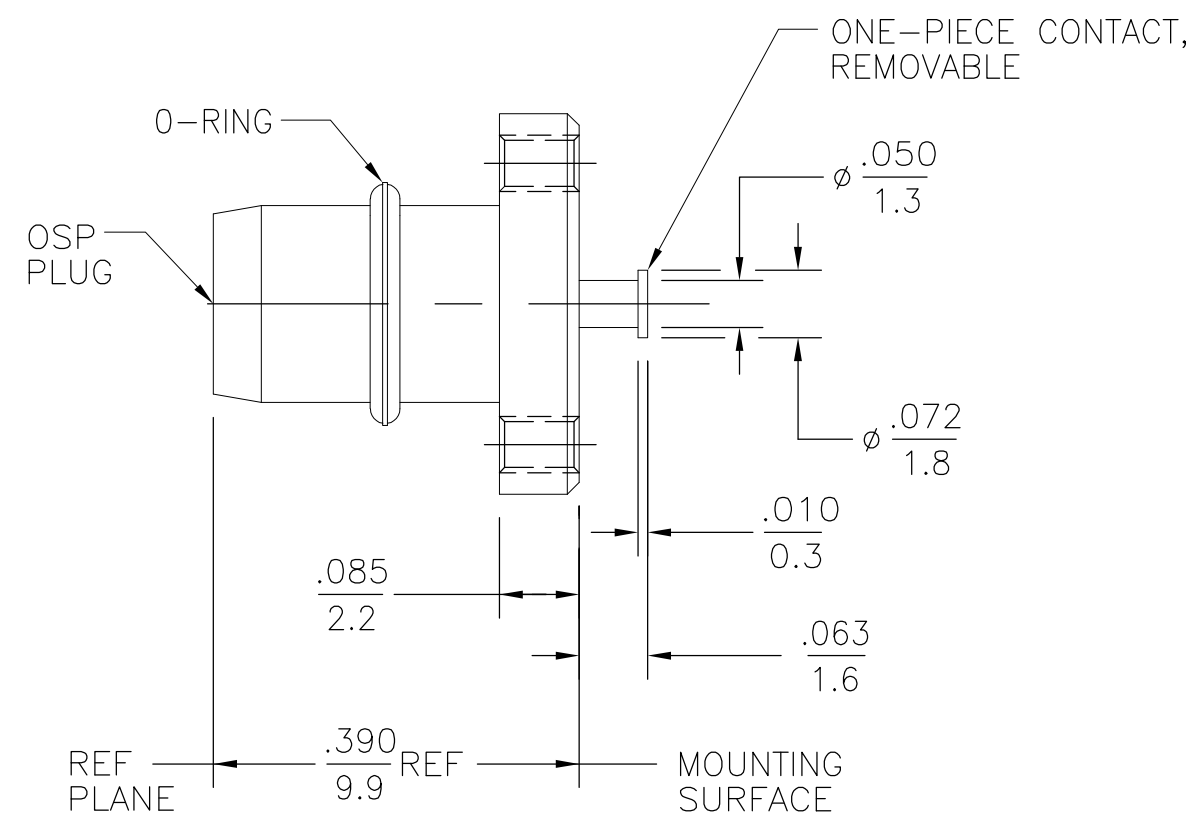


THIS DRAWING IS UNPUBLISHED. RELEASED FOR PUBLICATION  
 © COPYRIGHT BY TYCO ELECTRONICS CORPORATION. ALL RIGHTS RESERVED.

LOC	DIST	REVISIONS			
P	LTR	DESCRIPTION	DATE	DWN	APVD
	C	FIRST ISSUE	2010NOV1	AM	-



ELECTRICAL	MECHANICAL	ENVIRONMENTAL
NOMINAL IMPEDANCE (OHMS) $50 \pm 1$	Interface Dimensions Per MIL-STD-348A FIG 321-1	TEMPERATURE RATING $-65^{\circ}$ TO $+125^{\circ}$ C
Frequency Range (GHz) DC to 18	Mating Characteristics:	Vibration MIL-STD-202, Method 204, Condition D
Volt Rating (VRMS MAX) @ Sea Level 335	Insertion (MAX Lbs) N/A	Shock MIL-STD-202, Method 213, Condition I
VSWR $1.05 + .005f(\text{GHz})$ DC to 18 GHz	Withdrawal (MIN Oz) N/A	Thermal Shock MIL-STD-202, Method 107, Condition B
Insertion Loss (dB MAX) $.03x \sqrt{f(\text{GHz})}$	Force to Engage (In/Lbs MAX) 3 & Disengage (In/Lbs MAX) 1.5	Moisture Resistance MIL-STD-202, Method 106
RF Leakage (dB MIN) (Interface Only, Fully Mated) $-(90-f(\text{GHz}))$	Center Contact Captivation	Corrosion - MIL-STD-202, Method 101, Condition B
Corona, 70,000 Ft (VRMS MIN) 250	Axial (Lbs) 0	
Dielectric Withstanding Voltage (VRMS MIN) @ Sea Level 1000	Cable Retention	
Contact Resistance (Milliohms MAX) Center Contact 2.0, Outer Contact 2.0	Axial Force (Lbs MIN) N/A	
RF High Potential @ Sea Level (VRMS MIN @ 5 MHz) 670	Torque (In/Oz MIN) N/A	
I.R.(Megohms MIN) 5000		

.XXX = in  
XX.X = mm (REF)

-	FLUOROSILICONE PER MIL-R-25988, CLASS I, TYPE I.	O-RING
GOLD PLATE PER ASTM-B488	BRASS PER ASTM-B16	CENTER CONTACT
-	PTFE FLUOROCARBON PER ASTM-D-1457.	DIELECTRIC
GOLD PLATE PER ASTM-B488	SST PER ASTM-A484 AND ASTM-A582, TYPE 303.	HOUSING
FINISH	MATERIAL	COMPONENT

THIS DRAWING IS A CONTROLLED DOCUMENT.

DWN T. WAGNER 12-14-98  
CHK -  
APVD T. WAGNER 12-14-98

PRODUCT SPEC -  
APPLICATION SPEC -  
WEIGHT -

**Tyco Electronics** Tyco Electronics Corporation  
Harrisburg, Pa 17105-3608

NAME OSP STRIPLINE SURFACE LAUNCH PLUG  
TURRET TERMINAL  
(4567-1322-00)

SIZE A3 CAGE CODE 00779 DRAWING NO C-1313851 RESTRICTED TO -

CUSTOMER DRAWING SCALE 5:1 SHEET 1 OF 1 REV C