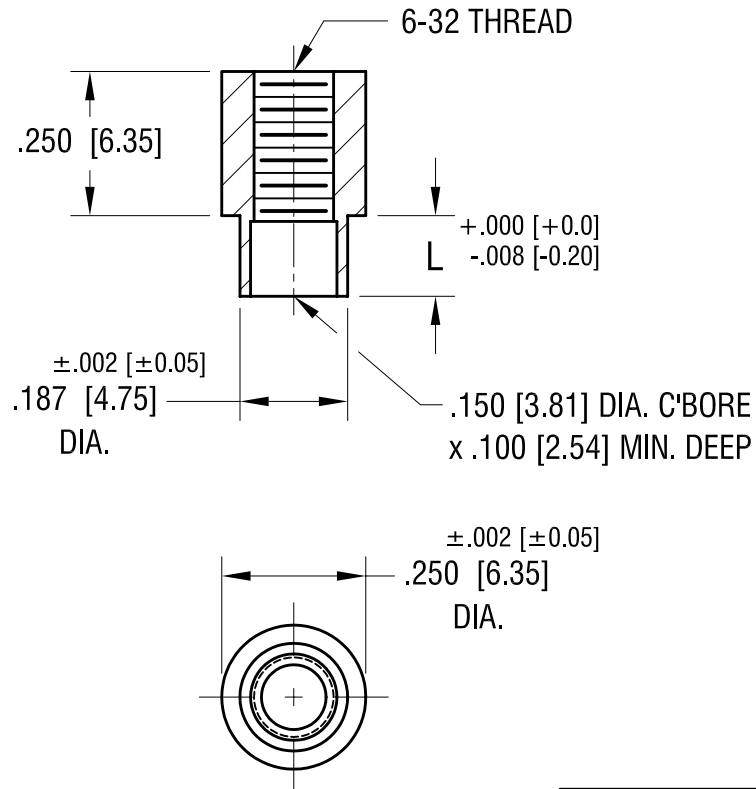


THIS DOCUMENT IS THE PROPERTY OF KEYSTONE ELECTRONICS CORP. AND SHALL NOT BE REPRODUCED, DISTRIBUTED OR USED AS A BASIS FOR MANUFACTURE WITHOUT PRIOR WRITTEN PERMISSION FROM KEYSTONE ELECTRONICS CORP.



| PART NO. | 'L' DIM. |
|----------|-------------|
| 1546 | .109 [2.77] |
| 1546B | .140 [3.56] |
| 1546D | .171 [4.34] |

| | | | |
|-----------------------------------|-----------------|--------|--------------|
| KEYSTONE ELECTRONICS CORP. | | | |
| ASTORIA, N.Y. 11105-2017 | | | |
| PART NAME | | | |
| SWAGE THREADED STANDOFF | | | |
| MATERIAL | | | |
| BRASS | | | |
| FINISH | | DRN BY | DATE |
| DUCTILE NICKEL PLATE | | BOONE | 10.17.00 |
| | | APPD | SCALE |
| | | LN | 4X |
| TOLERANCES | INCH [MM] | CODE | DWG NO. |
| DECIMAL | ± .005 [± 0.15] | C/M | 1546- |
| ANGULAR | ± 1° | | |
| UNLESS OTHERWISE SPECIFIED | | | |

| | | |
|---------|--------------------------|------|
| 5.14.02 | CHANGE AS PER ECN 02-043 | A |
| DATE | DESCRIPTION | REV. |