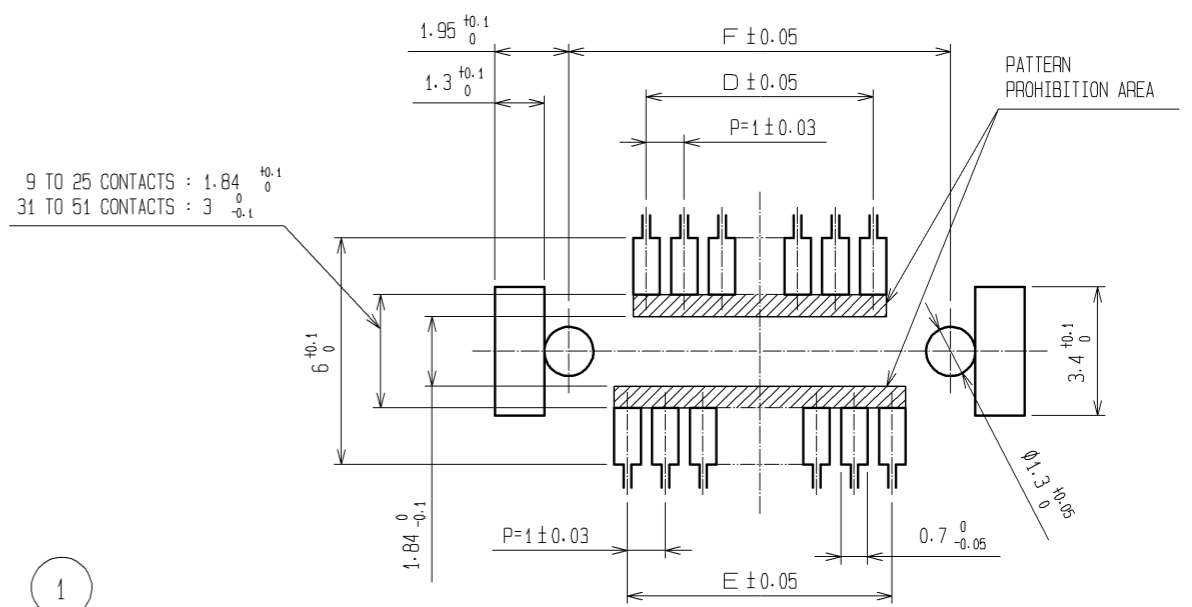


RECOMMENDED PATTERN



9 TO 25 CONTACTS : 1.84^{+0.1}₀
 31 TO 51 CONTACTS : 3^{+0.1}_{-0.1}

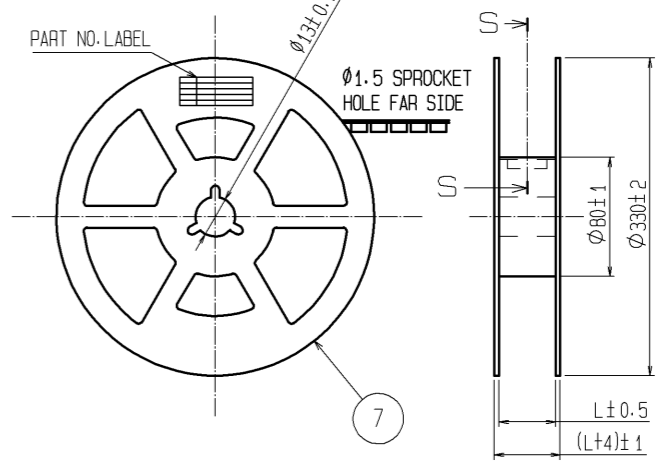
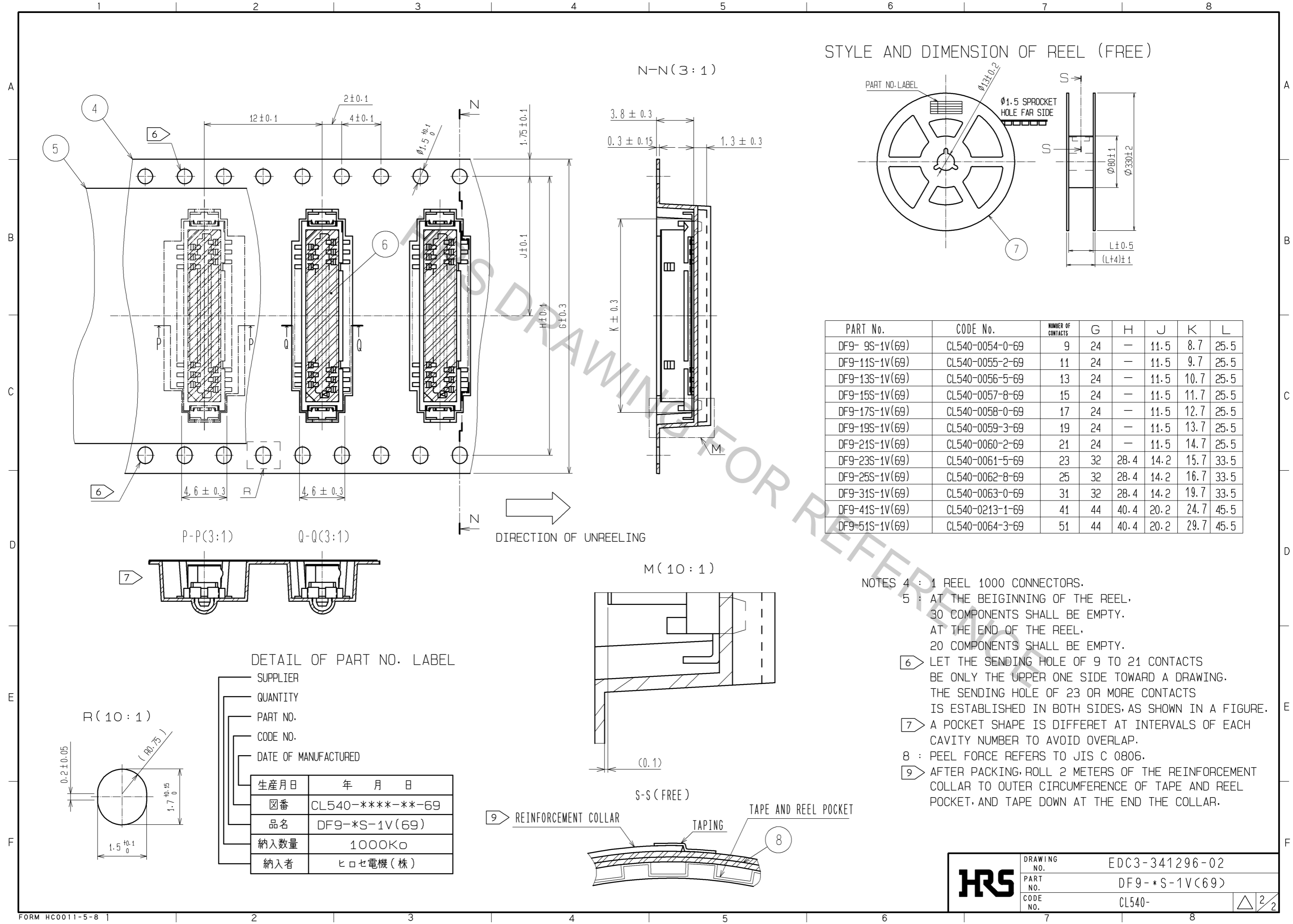
PART No.	CODE No.	NUMBER OF CONTACTS	A	B	C	D	E	F
DF9-9S-1V(69)	CL540-0054-0-69	9	10.1	8.3	6.5	3	4	7.1
DF9-11S-1V(69)	CL540-0055-2-69	11	11.1	9.3	7.5	4	5	8.1
DF9-13S-1V(69)	CL540-0056-5-69	13	12.1	10.3	8.5	5	6	9.1
DF9-15S-1V(69)	CL540-0057-8-69	15	13.1	11.3	9.5	6	7	10.1
DF9-17S-1V(69)	CL540-0058-0-69	17	14.1	12.3	10.5	7	8	11.1
DF9-19S-1V(69)	CL540-0059-3-69	19	15.1	13.3	11.5	8	9	12.1
DF9-21S-1V(69)	CL540-0060-2-69	21	16.1	14.3	12.5	9	10	13.1
DF9-23S-1V(69)	CL540-0061-5-69	23	17.1	15.3	13.5	10	11	14.1
DF9-25S-1V(69)	CL540-0062-8-69	25	18.1	16.3	14.5	11	12	15.1
DF9-31S-1V(69)	CL540-0063-0-69	31	21.1	19.3	17.5	14	15	18.1
DF9-41S-1V(69)	CL540-0213-1-69	41	26.1	24.3	22.5	19	20	23.1
DF9-51S-1V(69)	CL540-0064-3-69	51	31.1	29.3	27.5	24	25	28.1

NOTES 1 : LEAD CO-PLANARITY INCLUDE REINFORCED METAL FITTINGS SHALL BE 0.1mm MAX.
 ② HRS MARK AND CAV NO. ARE INDICATED IN APPROX POSITION SHOWN.
 ③ 9 TO 25 CONTACT CONNECTORS HAVE ONE LOCK AT CENTER OF HOUSING.
 31 TO 51 CONTACT CONNECTORS HAVE TWO LOCKS AS PER DRAWING.

3	BRASS	SURFACE:TIN PLATED(REFLOW FINISH)1μm min UNDER PLATING:COPPER 0.3μm min	8	PS	REINFORCEMENT COLLAR
2	PHOSPHOR BRONZE	CONTACT AREA:GOLD PLATED 0.2μm min	7	PS	BLACK(PLASTIC REEL)
		LEAD AREA:TIN PLATED 1μm min	6	POLYIMIDE	BROWN(HEAT-RESISTANCE TAPE)
		UNDER PLATING:NICKEL 0.3μm min	5	POLYESTER	CLEAR(COVER TAPE)
1	POLYAMIDE	BEIGE, UL94V-0	4	PS	CLEAR(EMBOSSED CARRIER TAPE)
NO.	MATERIAL	FINISH, REMARKS	NO.	MATERIAL	FINISH, REMARKS

UNITS	SCALE	COUNT	DESCRIPTION OF REVISIONS	DESIGNED	CHECKED	DATE
mm	5 : 1	△				
APPROVED : KH. IKEDA			11.12.28	DRAWING NO. EDC3-341296-02		
CHECKED : AR. TAKAHASHI			11.12.28	PART NO. DF9-*S-1V(69)		
DESIGNED : SH. HOSODA			11.12.27	CODE NO. CL540-		
DRAWN : KR. AJITO			11.12.27			

STYLE AND DIMENSION OF REEL (FREE)



PART No.	CODE No.	NUMBER OF CONTACTS	G	H	J	K	L
DF9- 9S-1V(69)	CL540-0054-0-69	9	24	-	11.5	8.7	25.5
DF9-11S-1V(69)	CL540-0055-2-69	11	24	-	11.5	9.7	25.5
DF9-13S-1V(69)	CL540-0056-5-69	13	24	-	11.5	10.7	25.5
DF9-15S-1V(69)	CL540-0057-8-69	15	24	-	11.5	11.7	25.5
DF9-17S-1V(69)	CL540-0058-0-69	17	24	-	11.5	12.7	25.5
DF9-19S-1V(69)	CL540-0059-3-69	19	24	-	11.5	13.7	25.5
DF9-21S-1V(69)	CL540-0060-2-69	21	24	-	11.5	14.7	25.5
DF9-23S-1V(69)	CL540-0061-5-69	23	32	28.4	14.2	15.7	33.5
DF9-25S-1V(69)	CL540-0062-8-69	25	32	28.4	14.2	16.7	33.5
DF9-31S-1V(69)	CL540-0063-0-69	31	32	28.4	14.2	19.7	33.5
DF9-41S-1V(69)	CL540-0213-1-69	41	44	40.4	20.2	24.7	45.5
DF9-51S-1V(69)	CL540-0064-3-69	51	44	40.4	20.2	29.7	45.5

- NOTES
- 4 : 1 REEL 1000 CONNECTORS.
 - 5 : AT THE BEIGINN OF THE REEL, 30 COMPONENTS SHALL BE EMPTY. AT THE END OF THE REEL, 20 COMPONENTS SHALL BE EMPTY.
 - 6 : LET THE SENDING HOLE OF 9 TO 21 CONTACTS BE ONLY THE UPPER ONE SIDE TOWARD A DRAWING. THE SENDING HOLE OF 23 OR MORE CONTACTS IS ESTABLISHED IN BOTH SIDES, AS SHOWN IN A FIGURE.
 - 7 : A POCKET SHAPE IS DIFFERET AT INTERVALS OF EACH CAVITY NUMBER TO AVOID OVERLAP.
 - 8 : PEEL FORCE REFERS TO JIS C 0806.
 - 9 : AFTER PACKING, ROLL 2 METERS OF THE REINFORCEMENT COLLAR TO OUTER CIRCUMFERENCE OF TAPE AND REEL POCKET, AND TAPE DOWN AT THE END THE COLLAR.

DETAIL OF PART NO. LABEL

- SUPPLIER
- QUANTITY
- PART NO.
- CODE NO.
- DATE OF MANUFACTURED

生産月日	年月日
図番	CL540-****-**-69
品名	DF9-*S-1V(69)
納入数量	1000K ϕ
納入者	ヒロセ電機(株)

HRS	DRAWING NO.	EDC3-341296-02
	PART NO.	DF9-*S-1V(69)
	CODE NO.	CL540-