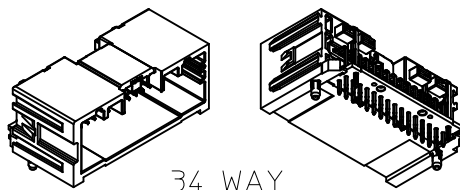


MATERIAL NUMBER			CKT SIZE	DESCRIPTION	POL	COLOR
TRAY PACKAGING PK-31302-070	TUBE PACKAGING PK-31301-688	TAPE AND REEL PK-47799-0001				
34961-1340	TBD	34961-9340	34	34CKT MINI50 RIGHT ANGLE HEADER ASSEMBLY 1.2MM DEPOPULATED	A	BLACK
34961-1341	TBD	34961-9341	34	34CKT MINI50 RIGHT ANGLE HEADER ASSEMBLY 1.2MM DEPOPULATED	B	GREY
34961-1342	TBD	34961-9342	34	34CKT MINI50 RIGHT ANGLE HEADER ASSEMBLY 1.2MM DEPOPULATED	C	DK GREY

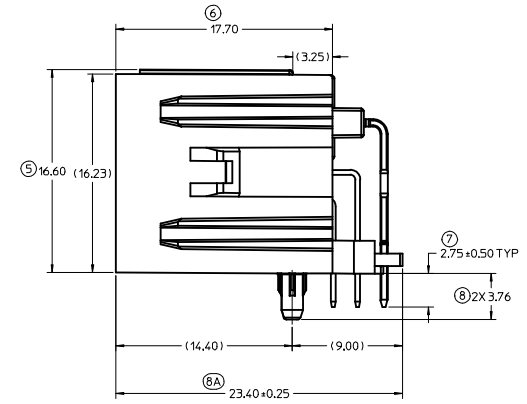
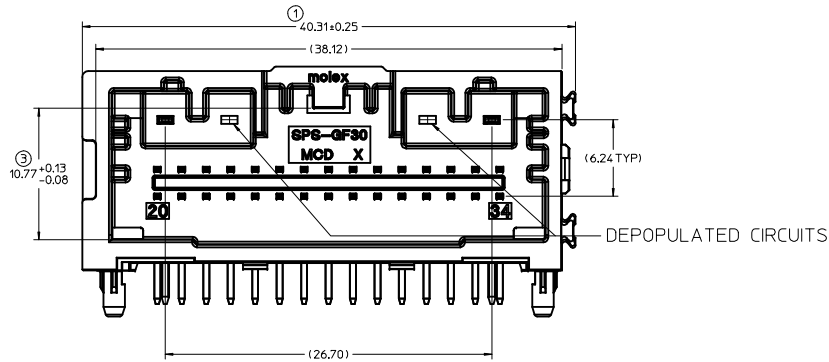
NOTES: VALID UNLESS OTHERWISE SPECIFIED
1. GENERAL:

- a. CONNECTOR HEADER MUST BE VALIDATED TO THE FOLLOWING FUNCTIONAL REQUIREMENTS:
VALIDATION SPECIFICATION - GMW3191 JUNE 2012
SOLDERABILITY - SMES-152
 - b. APPLICATION REQUIREMENTS (REFERENCE ONLY) FOR:
SEE APPLICATION SPECIFICATION - AS-34959-001
SEE PRODUCT SPECIFICATION - PS-34959-001
MATES WITH: SD-34959-030
 - c. PACKAGING SPECIFICATION: SEE CHART
2. DESIGN: MATERIALS:
- a. SHROUD (PLASTIC HOUSING):
RESIN - SPS 30%GF
 - b. PIN ALIGNMENT PLATE:
RESIN - SPS 30%GF
 - c. 0.50MM BLADES:
BASE MATERIAL: C26800
PLATING TYPE: AS NOTED
 - d. 1.20MM BLADES:
BASE MATERIAL: C26800
PLATING TYPE: AS NOTED
3. PLATING REQUIREMENTS:
- a. UNDERPLATING - OVERALL NICKEL
 - b. OVERPLATING - OVERALL TIN



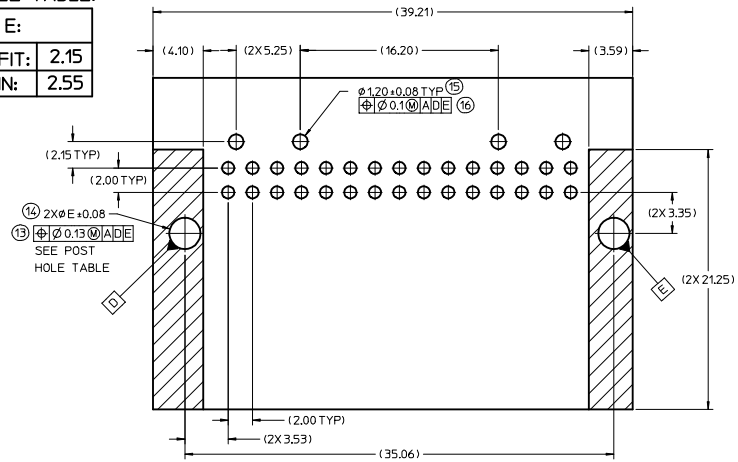
34 WAY
ISOMETRIC VIEW
SCALE 2:1

ENTER DESCRIPTION IEC NO: UAU2017-0843 DRAWN: FISCHER01 2016/10/28 CHYK: A5 APPR: RBAUMAN 2017/03/21 REV:	QUALITY SYMBOLS	GENERAL TOLERANCES (UNLESS SPECIFIED)	DIMENSION STYLE MM ONLY	SCALE 2:1	DESIGN UNITS METRIC	THIRD ANGLE PROJECTION
	▽=0	4 PLACES ± --- ± ---	mm INCH	DRAWN BY DATE JFISCHER01 2015/12/10	TITLE 34CKT MINI50 RIGHT ANGLE 1.2MM DEPOPULATED HEADER ASSEMBLY SALES DRAWING	
	▽=0	3 PLACES ± --- ± ---		CHECKED BY DATE		
	▽=0	2 PLACES ± 0.13 ± ---		APPROVED BY DATE RBAUMAN 2015/12/14		
	1 PLACE ± 0.25 ± ---	ANGULAR ± 1 °	MATERIAL NO.	DOCUMENT NO.	SHEET NO.	
	0 PLACE ± --- ± ---	DRAFT WHERE APPLICABLE MUST REMAIN WITHIN DIMENSIONS	SEE CHART	SD-34961-130	1 OF 2	
			SIZE D	THIS DRAWING CONTAINS INFORMATION THAT IS PROPRIETARY TO MOLEX INCORPORATED AND SHOULD NOT BE USED WITHOUT WRITTEN PERMISSION		



POST HOLE TABLE:

FOR DIM E:
PRESS FIT: 2.15
DROP IN: 2.55



REFERENCE 34WAY PCB LAYOUT

ENTER DESCRIPTION IEC NO. UAU2017-0843 DRAWN BY JFISCHER01 2016/10/28 CHYK: JFISCHER01 APPR: RBAUMAN 2017/03/21	QUALITY SYMBOLS	GENERAL TOLERANCES (UNLESS SPECIFIED)	DIMENSION STYLE	SCALE	DESIGN UNITS	THIRD ANGLE PROJECTION
	▽=0	mm INCH	MM ONLY	5:1	METRIC	☉
	▽=0	4 PLACES ± --- ± ---	DRAWN BY DATE	TITLE		
	▽=0	3 PLACES ± --- ± ---	JFISCHER01 2015/12/10	34CKT MINI50 RIGHT ANGLE 12MM DEPOPULATED HEADER ASSEMBLY SALES DRAWING		
▽=0	2 PLACES ± 0.13 ± ---	CHECKED BY DATE	MATERIAL NO.			SHEET NO.
	1 PLACE ± 0.25 ± ---	APPROVED BY DATE	RBAUMAN 2015/12/14			2 OF 2
	0 PLACE ± --- ± ---	DRAFT WHERE APPLICABLE MUST REMAIN WITHIN DIMENSIONS	SEE CHART			DOCUMENT NO.
			SD-34961-130			