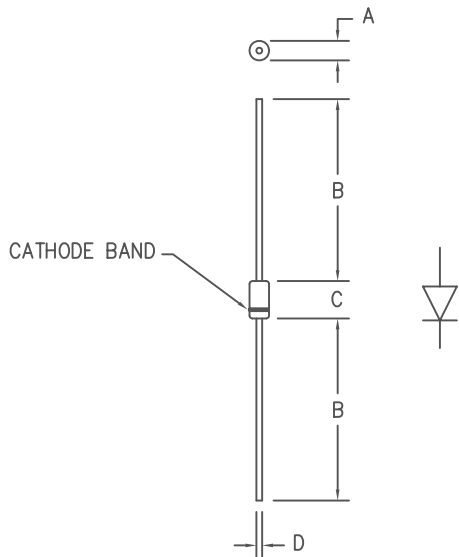


1 Amp Schottky Rectifier MS110



Dim.	Inches		Millimeter		Notes
	Minimum	Maximum	Minimum	Maximum	
A	.081	.107	2.057	2.718	Dia.
B	1.10	---	27.94	---	
C	.160	.205	4.064	5.207	
D	.028	.034	.711	.864	Dia.

PLASTIC D041

Microsemi Catalog Number	Industry Part Number	Working Peak Reverse Voltage	Repetitive Peak Reverse Voltage
MS110	MBR1100 SR1010	100V	100V

- Schottky Barrier Rectifier
- Guard Ring Protection
- 175°C Junction Temperature
- V_{RRM} 100 Volts

Electrical Characteristics

Average forward current	$I_F(AV)$ 1.0 Amps	TL = 118°C Square wave, $R_{\theta JL}$ = 25°C/W, L = 1/4" 8.3ms, half sine, T_J = 175°C I_{FM} = 1.0A; T_J = 25°C* V_{RRM}, T_J = 25°C V_R = 5.0V, T_J = 25°C
Maximum surge current	I_{FSM} 50 Amps	
Max peak forward voltage	V_{FM} .83 Volts	
Max peak reverse current	I_{RM} 100 μ A	
Typical junction capacitance	C_J 45pF	

*Pulse test: Pulse width 300 μ sec, Duty cycle 2%

Thermal and Mechanical Characteristics

Storage temperature range	T_{STG}	-55°C to 175°C
Operating junction temp range	T_J	-55°C to 175°C
Maximum thermal resistance	$R_{\theta JL}$ L = 1/4"	25°C/W Junction to Lead
Weight		.011 ounces (0.34 grams) typical



8700 East Thomas Road, P.O. Box 1390
Scottsdale, AZ 85252
PH: (480) 941-6300
FAX: (480) 947-1503
www.microsemi.com

05-17-07 Rev. 2

MS110

Figure 1
Typical Forward Characteristics

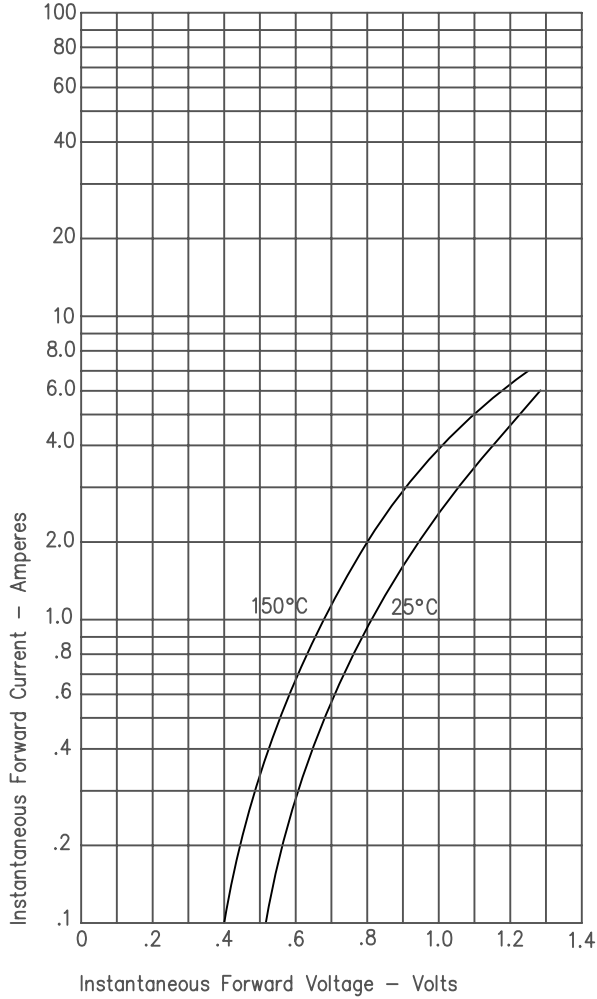


Figure 3
Typical Junction Capacitance

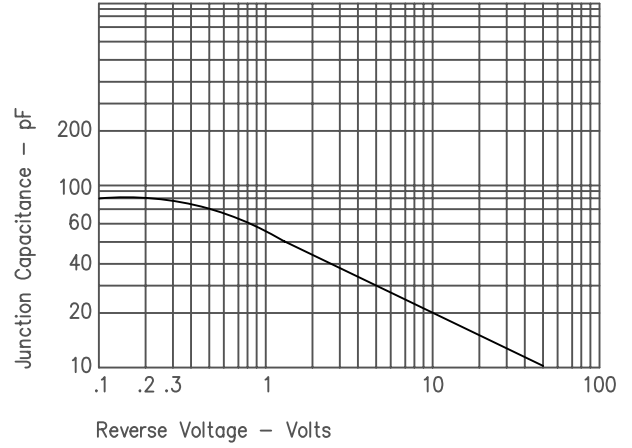


Figure 2
Typical Reverse Characteristics

