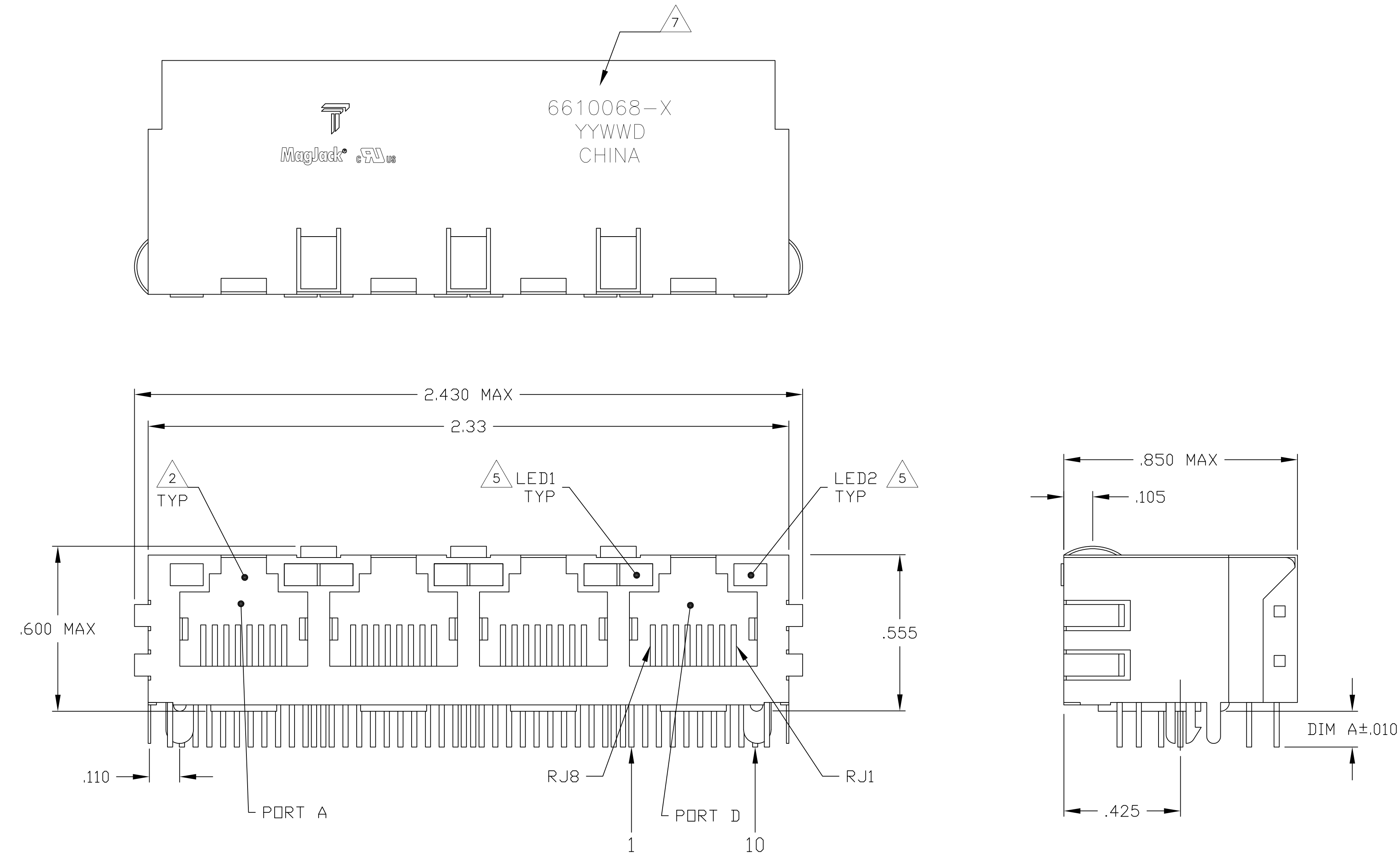


THIS DRAWING AND THE SUBJECT MATTER SHOWN THEREON ARE CONFIDENTIAL AND THE PROPERTY OF BEL/STEWART/TRP CONNECTOR AND SHALL NOT BE REPRODUCED, COPIED, OR USED IN ANY MANNER WITHOUT THE WRITTEN CONSENT OF TRP CONNECTOR.

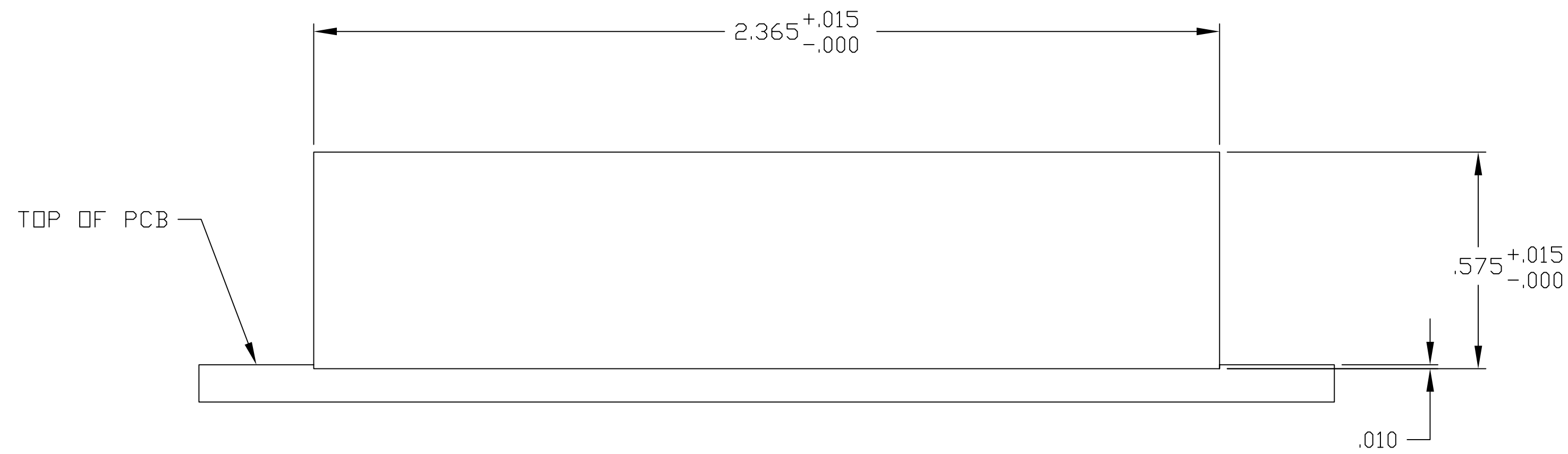
PRODUCT MAY BE PROTECTED BY ONE OR MORE OF THE FOLLOWING US PATENTS:  
 5736910 5939955 6425781 6428361 6554638 6840817 7123117  
 7429195 7717749 7808751 6217391 6149050 7924130

REVISIONS					
#	LTR	DESCRIPTION	DATE	DWN	APPD
L		EC-141035 COMPANY LOGO CHANGE	05JAN2015	DZ	TL

MECHANICAL:



- 1 MATERIALS:  
 -HOUSING - THERMOPLASTIC PET POLYESTER FLAMMABILITY RATING UL 94V-0  
 -SHIELD - .010" THICK, C26800 BRASS PREPLATED WITH 30μINCH MIN SEMI-BRIGHT NICKEL.  
 -SOLDER TABS POST DIPPED WITH 100μINCH MIN SAC SOLDER.  
 -MOD JACK CONTACTS - 0.0157 X 0.018" PHOSPHOR BRONZE, 50μINCH MIN OVERALL NICKEL UNDERPLATE WITH SELECT 50μINCH MIN HARD GOLD FINISH PLATE. SOLDER TAILS WITH 100μINCH MIN MATTE TIN AND/OR SAC SOLDER DIP.  
 -LIGHT EMITTING DIODE(LED) - DIFFUSED EPOXY LENS, .020" X .020" CARBON STEEL WIREFRAME LEADS PRE-PLATED WITH 80μINCH SILVER OVER 40μINCH NICKEL UNDERPLATE OVER 40μINCH COPPER UNDERPLATE. POST-PLATED WITH 100μIN MIN MATTE TIN AND/OR SAC SOLDER DIP OR PURE TIN SOLDER DIP.
- 2 RJ45 JACK CAVITY CONFORMS TO FCC RULES AND REGULATIONS PART 68, SUB PART F.
- 3 MAGNETICS  
 -APPLICATION: 10/100/1000 BASE-T  
 -IMPEDANCE: 100 OHMS  
 -TURNS RATIO (CHIP CABLE): 1:1 ALL FOUR PAIRS  
 -OPEN CIRCUIT INDUCTANCE (OCL): 350μH MIN @100kHz, 0.1VRMS,  
 8mA DC BIAS FROM 0° C TO 70° C, ALL FOUR PAIRS  
 -ALL FOUR PAIRS BI-DIRECTIONAL  
 -PERFORMANCE @ 25° C:  
 INSERTION LOSS (IL): 1.1dB MAX FROM 0.5MHz TO 100MHz  
 RETURN LOSS (RL): 18dB MIN FROM 0.5MHz TO 40MHz  
 12-20LOG(f/80)dB MIN FROM 40.1MHz TO 100MHz  
 CROSSTALK ATTENUATION: 35dB MIN FROM 0.5MHz TO 40MHz  
 33-20LOG(f/50)dB MIN FROM 40.1MHz TO 100MHz  
 COMMON MODE REJECTION RATIO (CMRR): 30dB MIN FROM 0.5MHz TO 100MHz  
 -ISOLATION VOLTAGE: 2250VDC (MAX) FOR 60 SECONDS WITH A RISE TIME OF 500V/SEC AND WITH ALL PORTS CONNECTED.
4. OPERATING TEMPERATURE: FROM 0° C - +70° C
- 5 THE 250 OHM LED RESISTORS ARE OPTIONAL, PLEASE SEE CHART FOR PRESENCE OR ABSENCE OF LED RESISTORS. IF THE LED WITHOUT 250 OHM RESISTORS, LED IS DRIVEN WITH CONSTANT CURRENT AT APPROX 20mA.  
 LED COLOR: DOMINANT WAVELENGTH (λD): GREEN 568 nm TYP. @ IF=20mA  
 FORWARD VOLTAGE (VF): GREEN 2.2V TYP. @ IF=20mA  
 DOMINANT WAVELENGTH (λD): YELLOW 588 nm TYP. @ IF=20mA  
 FORWARD VOLTAGE (VF): YELLOW 2.1V TYP. @ IF=20mA  
 DOMINANT WAVELENGTH (λD): ORANGE 605 nm TYP. @ IF=20mA  
 FORWARD VOLTAGE (VF): ORANGE 2.05V TYP. @ IF=20mA  
 IF THE LED WITH 250 OHM RESISTORS, LED IS DRIVEN WITH 5V VOLTAGE AND THE MAX OPERATING CURRENT IS 20mA.  
 LED COLOR: DOMINANT WAVELENGTH (λD): GREEN 568 nm TYP. @ VF=5V  
 FORWARD CURRENT (IF): GREEN 12 mA TYP. @ VF=5V  
 DOMINANT WAVELENGTH (λD): YELLOW 588 nm TYP. @ VF=5V  
 FORWARD CURRENT (IF): YELLOW 13 mA TYP. @ VF=5V
- 6 INDICATED MAGNETIC CONNECTIONS ARE SYMMETRICAL TO SUPPORT AUTO-MDI/MDIX.
- 7 TRP CONNECTOR LOGO, PART NUMBER, DATE CODE, COUNTRY OF ORIGIN AND AGENCY APPROVAL MARKING IN APPROXIMATE LOCATION SHOWN. DATE CODE YY IS YEAR, WW WORK WEEK, D IS DAY OF WEEK WITH SUNDAY=1
8. THESE PARTS ARE RECOMMENDED FOR WAVE SOLDERING PROCESS, PREHEAT TEMPERATURE IS 120°C TO 160°C, 120 SECONDS TO 180 SECONDS, PEAK WAVE SOLDERING TEMPERATURE IS 260° C MAX, 10 SECONDS MAX.



1X4 SUGGESTED PANEL CUTOUT

0.102	NO	GREEN/YELLOW	NO	GREEN	2-6610068-5
0.145	NO	GREEN	NO	GREEN/ORANGE	1-6610068-8
0.145	NO	GREEN	NO	GREEN	5-6610068-7
0.145	NO	GREEN/YELLOW	NO	GREEN	1-6610068-5
0.145	YES	GREEN	YES	GREEN	1-6610068-1
0.145	NO	GREEN	NO	YELLOW	6610068-8
0.145	NO	GREEN/YELLOW	NO	GREEN/YELLOW	6610068-6
DIM A	250ohm RESISTOR	LED1	LED RESISTOR	LED2	PART NUMBER

THIS DRAWING IS A CONTROLLED DOCUMENT.

DWN	17MAR2005
CHK	17MAR2005
D.FAROLE	17MAR2005
APVD	17MAR2005
D.FAROLE	17MAR2005

TRP CONNECTOR DONGGUAN CHINA

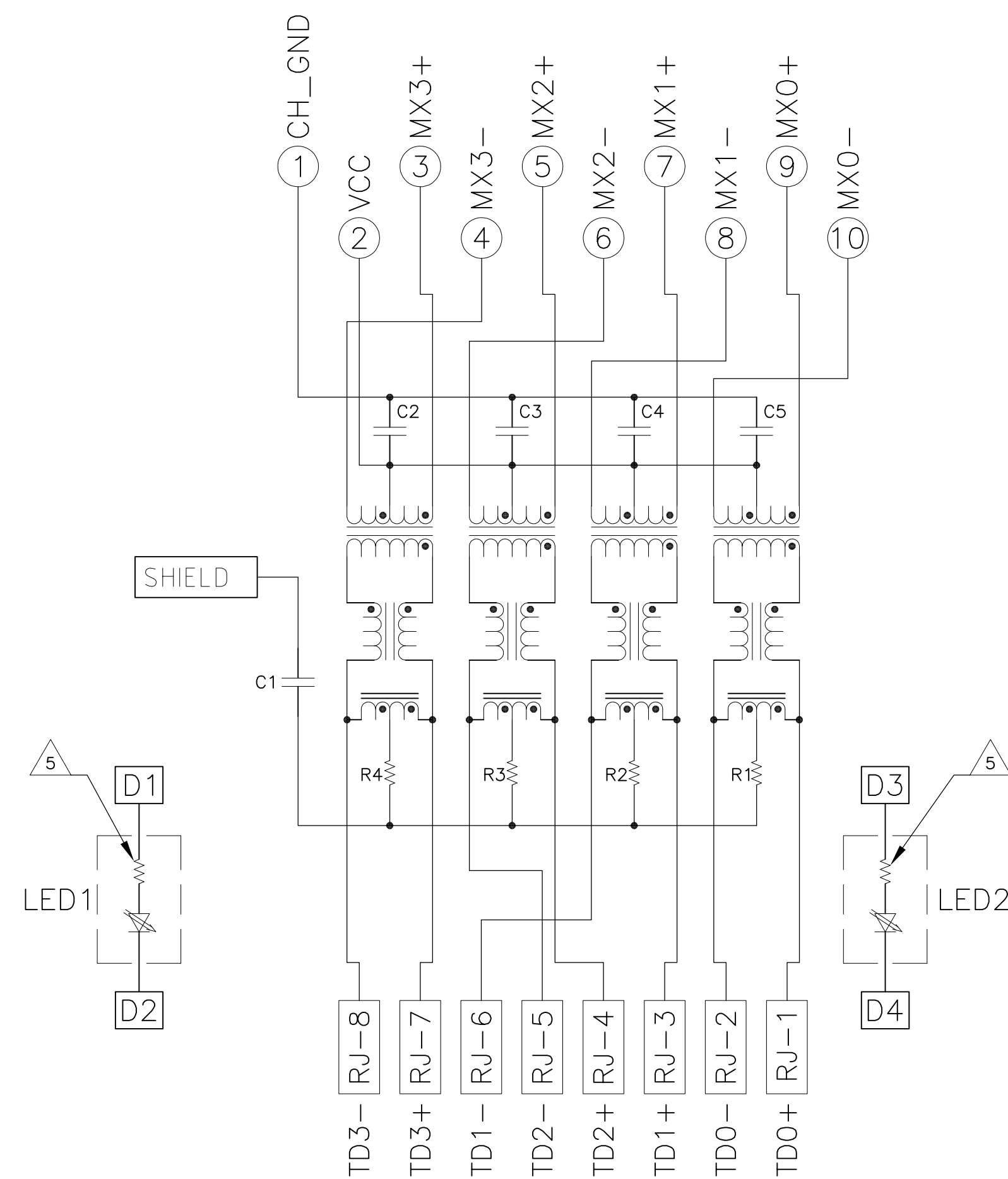
MAGJACK GANG  
NON-POE

1X4 7G05 GIGABIT TAB UP W/ LED

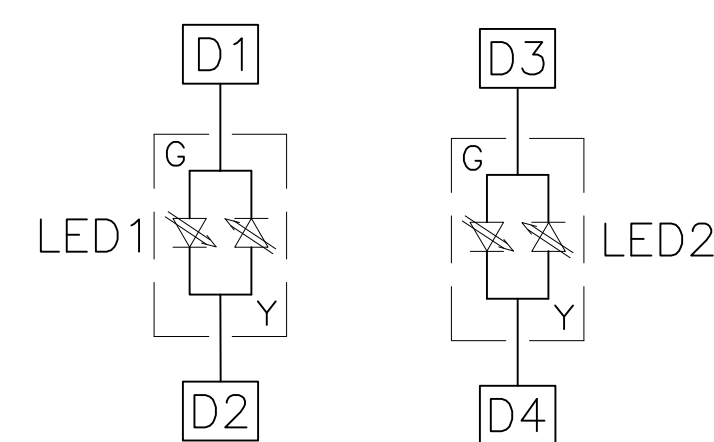
SIZE: A1  
CAGE CODE: C-6610068  
DRAWING NO: 108-2100

CUSTOMER DRAWING SCALE: 1:1 SHEET 1 OF 2 REV L

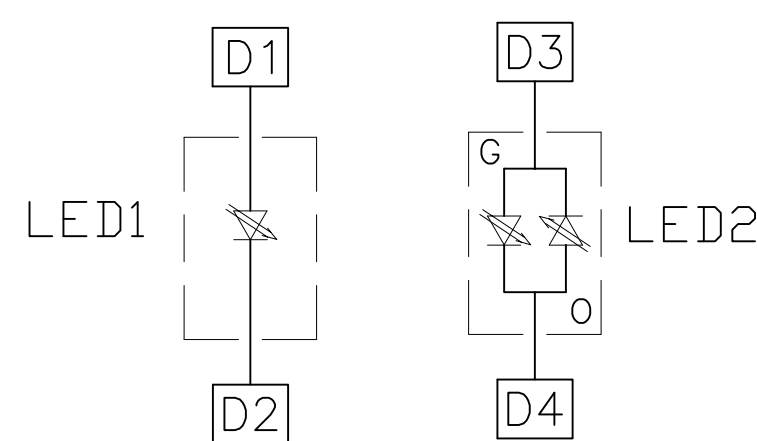
7G05 SERIES GIGABIT CIRCUIT 3/6



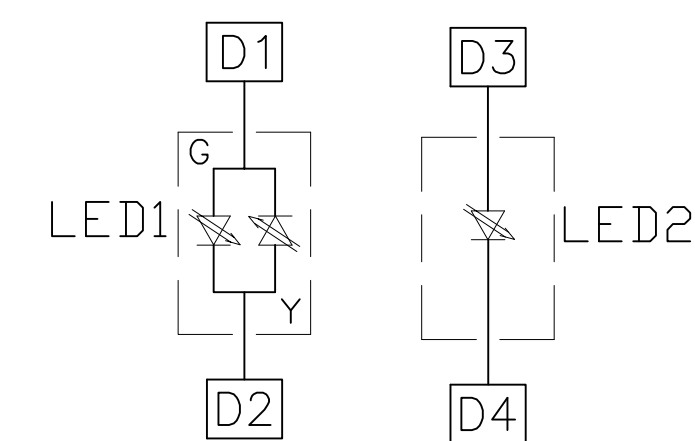
C1 = 1000pF, 2kV CAPACITOR  
 R1-R4 = 75 OHMS, 1/16 W RESISTORS  
 C2-C5 = 0.1uF, 50V CAPACITORS



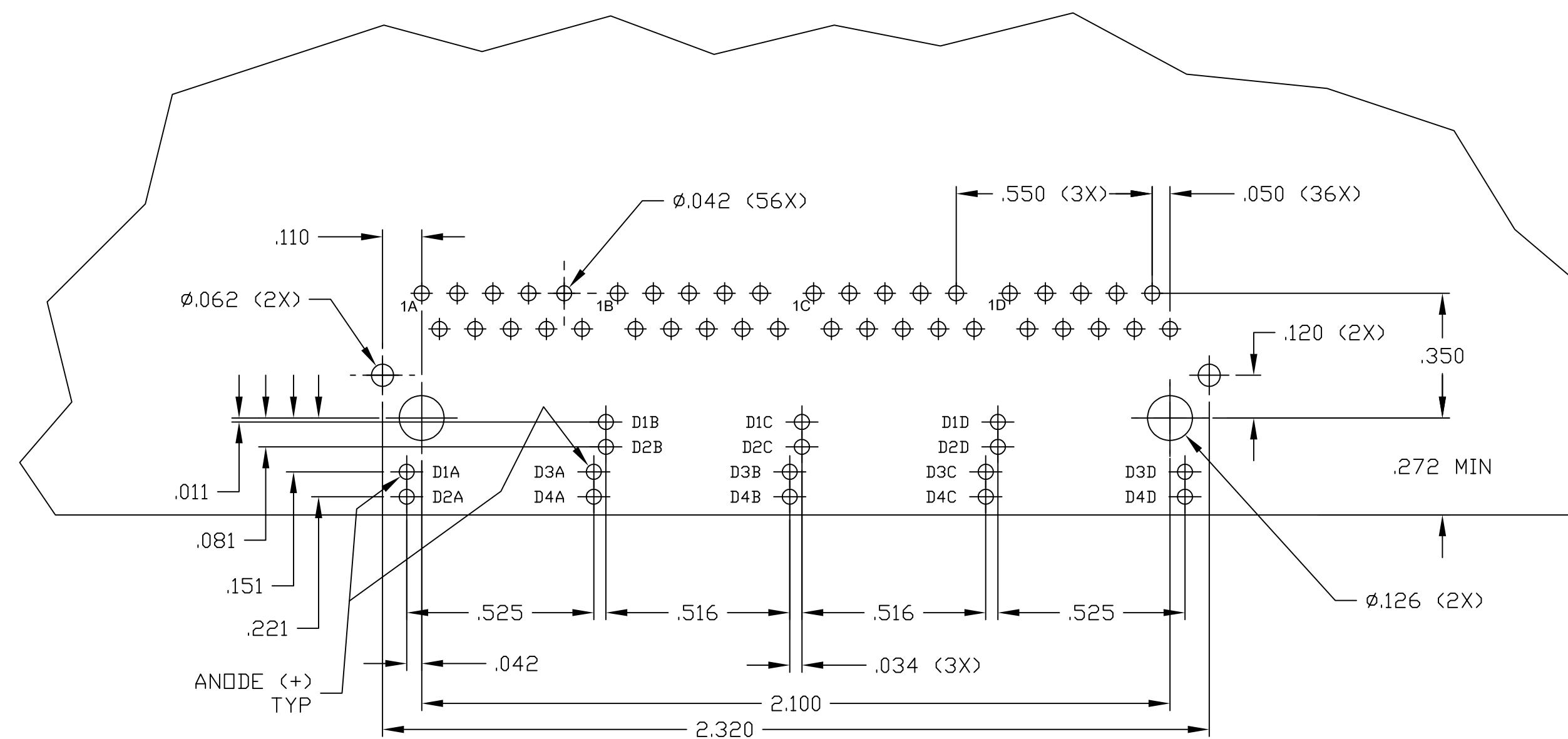
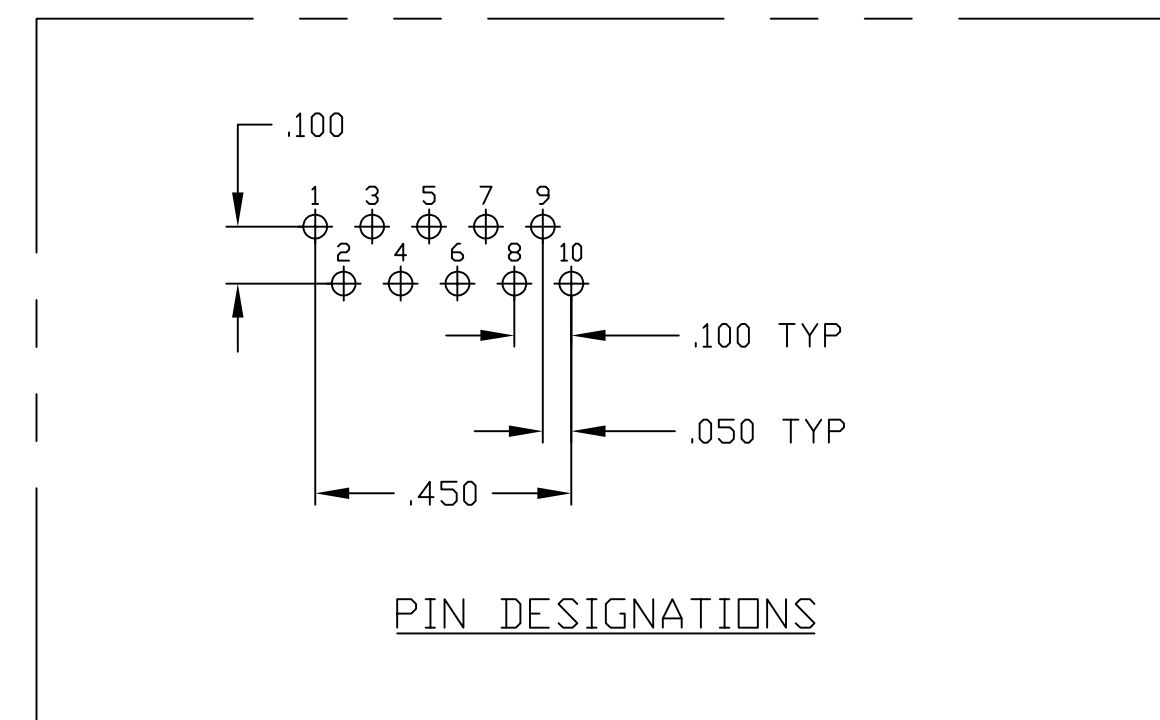
LED CONFIGURATION  
 FOR 6610068-6 ONLY



LED CONFIGURATION  
 FOR 1-6610068-8 ONLY



LED CONFIGURATION  
 FOR 1-6610068-5, 2-6610068-5 ONLY



SUGGESTED PCB LAYOUT  
 (Component Side)

THIS DRAWING IS A CONTROLLED DOCUMENT.		DWN	17MAR2005	<b>trp</b> CONNECTOR DONGGUAN CHINA
DIMENSIONS: INCHES		CHK	17MAR2005	
TOLERANCES UNLESS OTHERWISE SPECIFIED:		D.FAROLE	17MAR2005	
0-PLC ± . 1-PLC ± .010 2-PLC ± .020 3-PLC ± .030 4-PLC ± .040 ANGLES ± .	PRODUCT SPEC 108-2100	MODEL NAME MAGJACK GANG NON-POE	DESC 1X4 7G05 GIGABIT TAB UP W/ LED	RESTRICTED TO -
CUSTOMER DRAWING		SIZE	A1	SCALE 1:1 SHEET 2 OF 2 REV L