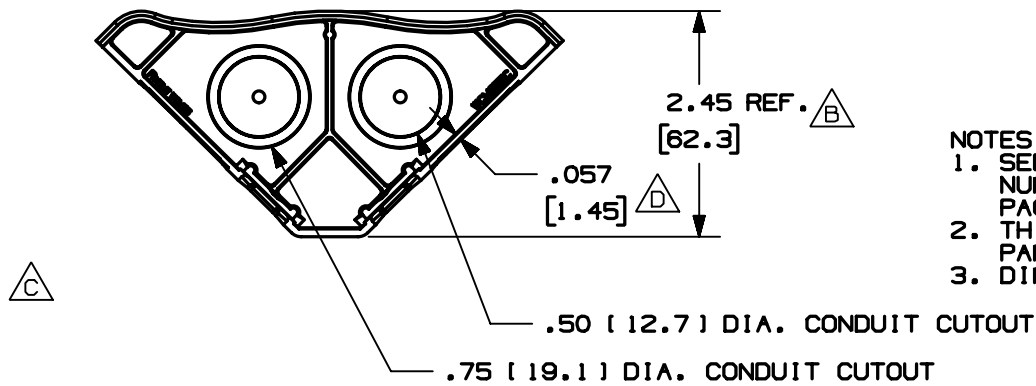
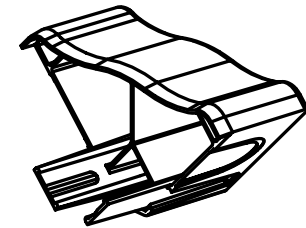
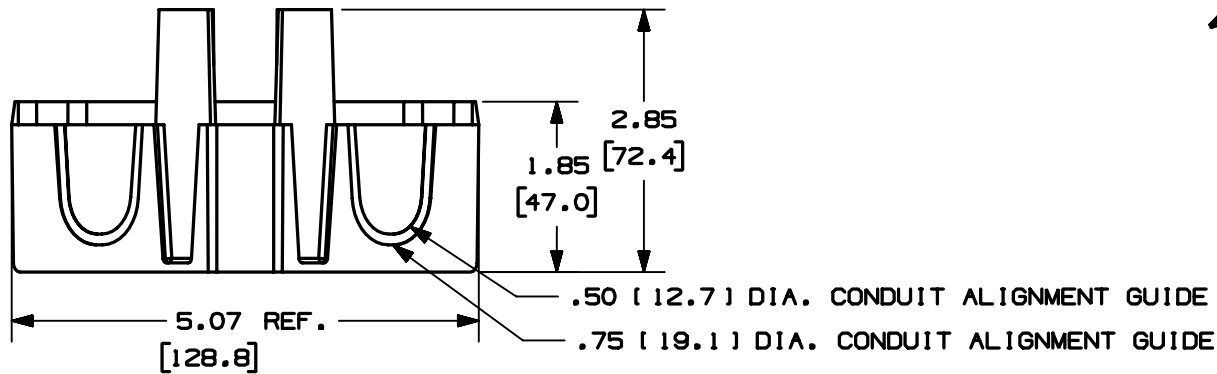


THIS COPY IS PROVIDED ON A RESTRICTED BASIS AND IS NOT TO BE USED IN ANY WAY DETRIMENTAL TO THE INTERESTS OF PANDUIT CORP.



PANDUIT PART NO.	WEIGHT
WCM35EC	.145 LBS [65.6 G]

- NOTES:
- SEE CURRENT CATALOG FOR ADDITIONAL PART NUMBER SUFFIXES TO INDICATE COLOR AND/OR PACKAGE QUANTITY.
 - THIS PRODUCT IS INTENDED TO BE USED WITH PANDUIT TYPE WCM35 RACEWAY.
 - DIMENSIONS IN PARENTHESIS ARE IN METRIC.



END FILENAME/LAYERS D38077BA_DC_WCM35EC_14A.PRT

PANDUIT CORP. TINLEY PARK, ILLINOIS
3.5 INCH COVE MOLDING END CAP FITTING (WCM35EC)
 CUSTOMER DRAWING

REV	DATE	BY	CHK	DESCRIPTION	ECN	CHK	CUST	SUP
-	-----	---	---	D. ADDED DIMENSION	-----	---	---	
2	12-02-03	JBN	BKR	C. REMOVED DIMENSION B. REVISED DIMENSION TO REFERENCE	38077-02	RGRO	RGRO	
-	-----	---	---	RELEASED TO PRODUCTION	-----	---	---	
1	11-13-02	JHEFRMH		A. REVISED PART DESCRIPTION	38077-02	RGRO	RGRO	
R	05-15-02	JHEP	BKR	DRAWING RELEASED				

UNLESS OTHERWISE SPECIFIED, DIMENSIONAL TOLERANCES ARE: (.X)± (.XXX) ± .015 [.38] (.XX)± .03 [.8] ANGLES ±		UNLESS OTHERWISE SPECIFIED, ALL DIMENSIONS ARE GIVEN IN INCHES, THIRD ANGLE PROJECTION.	
DRAWN BY JHEP	MAT'L: PVC	SCALE NONE	
DATE 05-15-02		DRAWING NO. 38077-02	DWG A
CHK'D BKR			SIZE