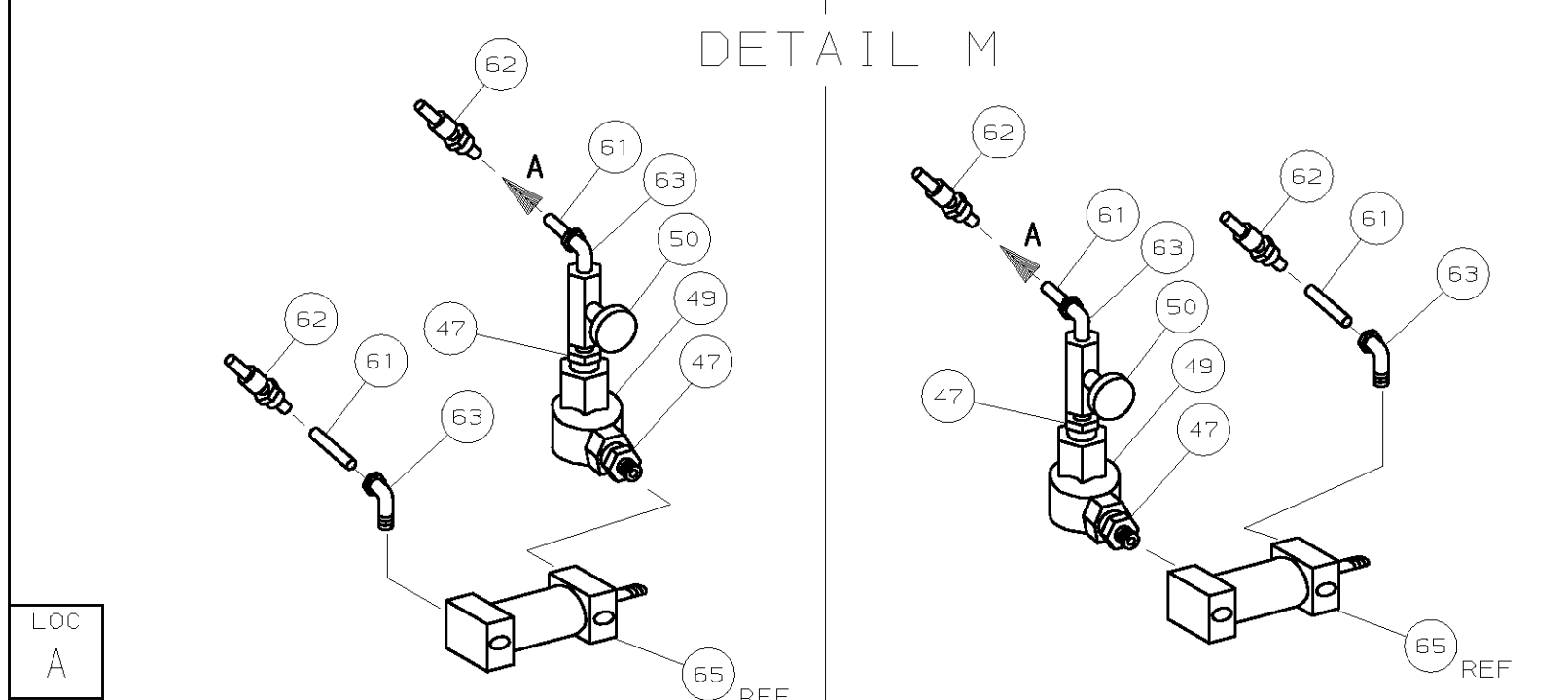
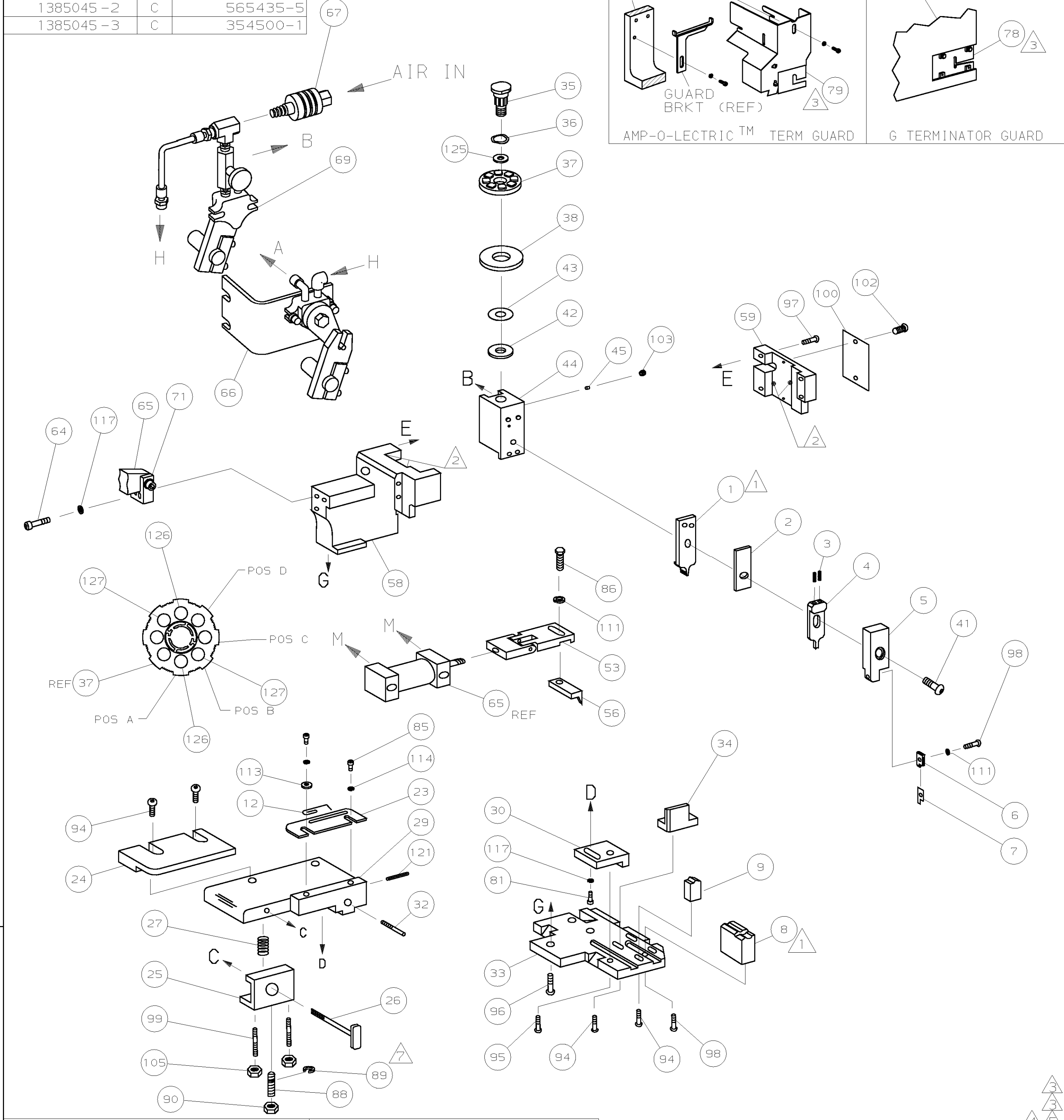


PART NUMBER	REV	FIRST USED
1385045-1	C	122500-1
1385045-2	C	565435-5
1385045-3	C	354500-1



1385045-1, -3

1385045-2

- ① RECOMMENDED SPARE PARTS.
- ② GREASE LIGHTLY.
- ③ GUARD MUST BE IN PLACE WHEN OPERATING APPLICATOR IN A BENCH MACHINE.
- ④ SEE DRAWING FOR COMPONENTS.
- ⑤ ITEM NOT SHOWN ON ASSEMBLY.
- ⑥ PULL TEST TO BE DONE FOR QUALIFYING; MINIMAL PULL-OUT STRENGTH TO BE 30lbs.
- ⑦ THREAD ITEM 88 INTO ITEM 25 AND INSERT ITEM 89 ONTO ITEM 88.

TERMINAL NAME: TUBULAR END-SLEEVE W/PLASTIC SLEEVE		966900		1241000			
CRIMPING DATA							
PAD LTR	CRIMP HEIGHT	WIRE SIZE					
A	.030 ±.002 [0.76 ±0.05mm]	0.5mm ²					
B	NOT	USED					
C	NOT	USED					
D	NOT	USED					
CRIMP	SIZE	TYPE	RANGE				
WIRE	.050 [1.27mm]	D	0.5mm ²				
INSUL	-	-	.110 MAX				
WIRE STRIP LENGTH	TERM APPL SPEC	FEED	APPL INSTRUCTION	SET UP GAGE	LAYOUT		
10mm	NONE	4.2mm	408-8040	458637-1	L1776		
PARTS LIST							
QTY	REQD PER ASSY	REF	PART NO	DESCRIPTION	ITEM NO		
129					129		
128					128		
2	2	2	- C	4-354779-9	PIN, WIRE DISC (.3235)A	126	
1	1	1	- A	986950-1	WASHER, FLAT PRECISION	125	
1	1	1	- A	217238-1	GENERAL INSTRUCTION PACKAGE	124	
1	1	1	- -	4088040	SF APPL INST 408-8040	123	
						122	
1	1	1	- A	4-21028-0	PIN, SLT SPR(φ.093x.75)ST 6DE PL	121	
						120	
						119	
						118	
3	3	3	- A	21024-5	WASHER, LOCK (#10)ADJ BLOCK	117	
						116	
						115	
2	2	2	- A	21024-2	WASHER, LOCK (#4)FRONT STP GUIDE	114	
1	1	1	- A	21055-4	WASHER, FLAT (#4)FRONT STP GUIDE	113	
						112	
2	2	2	- A	21024-4	WASHER, LOCK (#8)	111	
						110	
						109	
						108	
						107	
						106	
2	2	2	- A	21021-4	NUT, SELF LOCK (10-32)DRAG	105	
						104	
1	1	1	- A	21009-2	SCR, SKT SET (1/4-20x.25 LW)RAM	103	
2	2	2	- A	21017-2	SCR, DRIVE (#2x.19)ID PLATE	102	
						101	
1	1	1	- B	461264-1	PLATE, IDENTIFICATION	100	
2	2	2	- A	5-21006-9	STUD (10-32x1.25) DRAG	99	
2	2	2	- A	22733-9	SCR, BHC (8-32x.50 LW) ANVIL	98	
4	4	4	- A	2-21002-9	SCR, BHC (10-32x.75) CAP	97	
3	3	3	- A	2-22733-8	SCR, BHC (1/4-20x.62)H5G	96	
1	1	1	- A	2-21002-7	SCR, BHC (10-32x.50)56 ADJ BLK	95	
6	6	6	- A	2-21002-2	SCR, BHC (8-32x.50) TERM H DWN	94	
						93	
						92	
						91	
1	1	1	- A	22202-1	NUT, JAM, 1/4-20	90	
1	1	1	- A	1-21986-3	CLIP, E-RING	89	
1	1	1	- A	1490895-1	SCR, SKT SET (1/4-20x.75)MOD	88	
						87	
1	1	1	- A	2-22603-1	SCR, HEX HD (8-32x.38)FEED FINGER	86	
2	2	2	- A	1-21000-4	SCR, SHC (4-40x.38)F ST GUIDE	85	
						84	
						83	
						82	
1	1	1	- A	3-21000-4	SCR, SHC (10-32x.38)56 ADJ BL	81	
						80	
-	1	-	- B	462992-7	GUARD ASSY	79	
REF	-	-	- B	679532-1	INSERT, GUARD	78	
-	-	1	- A2	662516-2	WIRE FUNNEL ASSEMBLY	77	
						76	
						75	
						74	
						73	
						72	
1	1	1	- B	459610-3	MOUNT, FEED BRACKET	71	
-3	-2	-1	U/M	DWG SIZE	PART NO	DESCRIPTION	ITEM NO

-1 LEADMAKER		AIR FEED					
-2 BENCH MODEL K		AIR FEED					
-3 BENCH MODEL G		AIR FEED					
-	1	-	-	C	455350-1	AIR BLAST ASSY	70
-	1	-	-	A	24042-2	VALVE, SHUT OFF	67
-	1	-	-	C	692655-1	AIR FEED VALVE ASSY	66
1	1	1	-	C	461065-4	AIR FEED ASSY (1 INCH)	65
2	2	2	-	A	3-21000-9	SCR, SHC (10-32x1.00)AIR ASSY	64
2	1	2	-	A	983427-6	ELBOW, SWIVEL 1/8 NPT - 1/4 T	63
2	-	2	-	A	23238-1	QUICK DISCONNECT	62
42.00	21.00	42.00	IN	A	27319-4	TUBING, POLY-FLO φ.25	61
							60
1	1	1	-	C	454220-1	CAP, RAM	59
1	1	1	-	D	454485-1	HOUSING	58
							57
1	1	1	-	B	690542-3	PAWL, FEED	56
							55
							54
1	1	1	-	B	461062-1	FEED FINGER ASSY	53
							52
							51
1	REF	1	-	A	23054-1	VALVE, FLOW CONTROL	50
1	REF	1	-	A	22374-7	VALVE, QUICK EXHAUST	49
							48
2	REF	2	-	A	22304-1	NIPPLE, HEX 1/8 NPT	47
							46
1	1	1	-	A	690191-1	PLUG, NYLON	45
1	1	1	-	C	455673-2	RAM	44
1	1	1	-	A	690125-1	WASHER, LAMINATED	43
1	1	1	-	A	690124-1	WASHER, RAM	42
1	1	1	-	A	7-21002-9	BOLT, CRIMPER (5/16x1.00)	41
							40
							39
1	1	1	-	A	690223-2	SPACER, INSULATION DISC	38
1	1	1	-	D	354777-1	WIRE DISC, PLASTIC	37
1	1	1	-	A	22480-5	WASHER, SPRING	36
1	1	1	-	B	690212-1	POST, RAM	35
1	1	1	-	B	2-690786-5	SUPPORT, TERMINAL	34
1	1	1	-	D	1-455675-0	PLATE, BASE	33
1	1	1	-	A	690432-3	SCREW, ADJUSTMENT	32
							31
1	1	1	-	B	455689-1	BLOCK, STRIP GUIDE ADJ	30
1	1	1	-	C	356724-1	PLATE, STRIP GUIDE	29
							28
1	1	1	-	A	22282-1	SPRING, DRAG	27
1	1	1	-	B	454175-2	LEVER, DRAG RELEASE	26
1	1	1	-	B	662151-2	DRAG	25
1	1	1	-	D	2-690440-7	GUIDE, STRIP (REAR)	24
1	1	1	-	A	1-690487-6	GUIDE, STRIP (FRONT)	23
							22
							21
							20
							19
							18
							17
							16
							15
							14
							13
1	1	1	-	A	356753-1	SPRING, ANTI BACK-UP	12
							11
							10
1	1	1	-	C	662150-3	RAMP	9
1	1	1	-	C	356748-4	ANVIL	8
1	1	1	-	C	662115-4	BLADE, SHEAR	7
1	1	1	-	A3	1338993-1	HOLDER, BLADE	6
1	1	1	-	C	662113-4	CAP, DEPRESSOR	5
1	1	1	-	C	662114-3	DEPRESSOR, TERMINAL	4
2	2	2	-	C	22278-7	SPRING	3
1	1	1	-	C	662116-1	SPACER, CRIMPER	2
1	1	1	-	C	356754-4	CRIMPER, WIRE	1

AMERICAN MANUFACTURING CORPORATION

DR 5/10/00 APP 5/10/00 T ELBIN

CHK 5/10/00 B.HIGMAN

REL -

AMP Incorporated Harrisburg, PA 17105-3608

NAME: SIDE FEED HDM APPLICATOR

SCALE: 1:1

DWG NO: 1385045

SHEET 1 OF 1

REV C1

CUSTOMER AND ASSEMBLY DRAWING