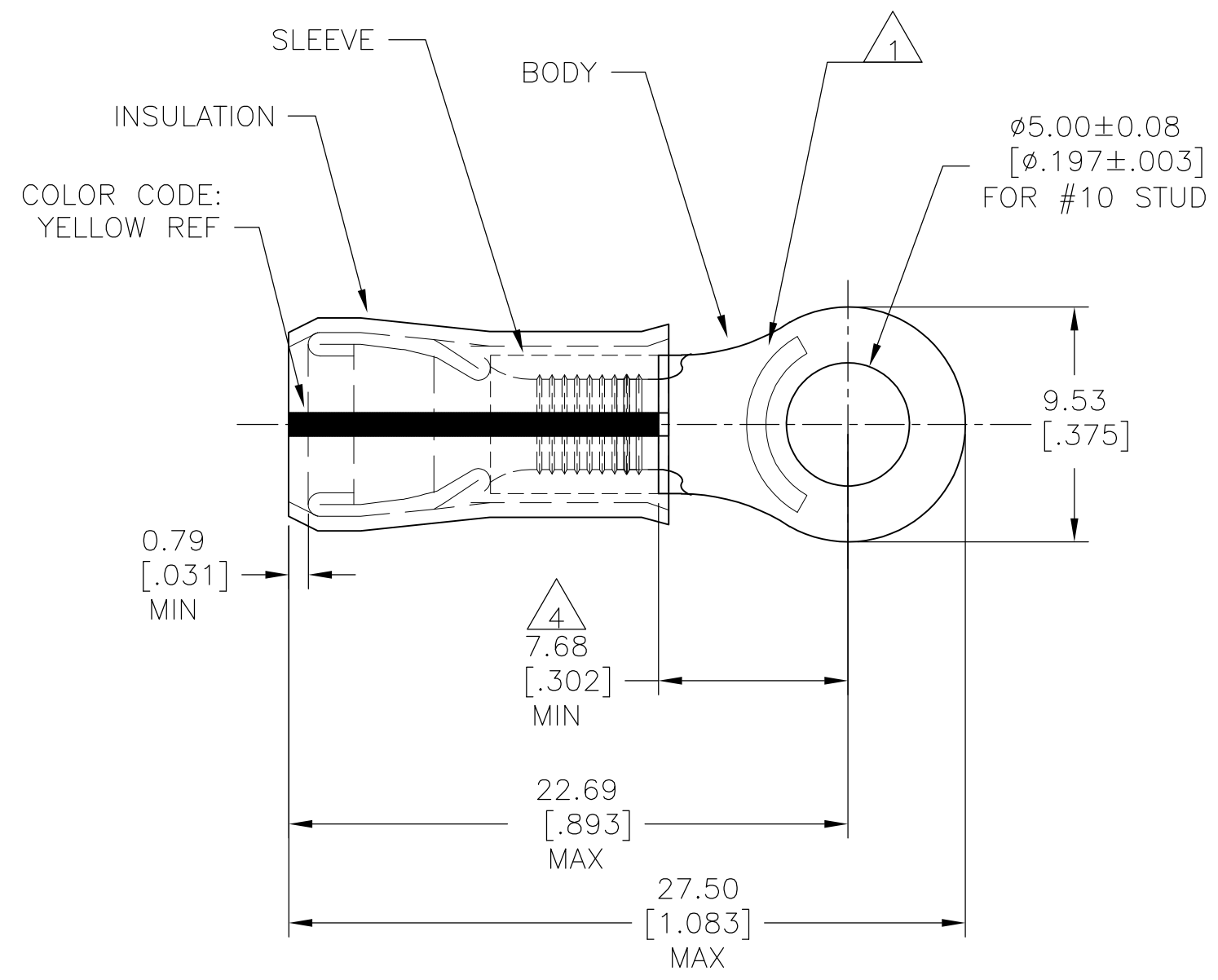


THIS DRAWING IS UNPUBLISHED. RELEASED FOR PUBLICATION
 © COPYRIGHT - By - ALL RIGHTS RESERVED.

LOC	DIST	REVISIONS			
P	LTR	DESCRIPTION	DATE	DWN	APVD
G	14	R4	REVISED PER ECO-12-007718	08MAY12	KH DR



- 1 STAMP AMP 12-10* APPROX AS SHOWN
- 2 WIRE INSULATION DIA: 3.81-5.84[.150-.230]
- 3 TONGUE MATERIAL THK: 0.99±0.05[.039±.002]
- 4 APPLIES FROM EDGE OF METAL WIRE BARREL TO CENTER OF STUD HOLE.
- 5 MEETS M7928/4-112, CLASS 1 & 2
MEETS M7928/13-112, CLASS 1 & 2
- 6 NOTE DELETED.

QTY	PACKAGE TYPE	MATERIAL & FINISH	PART NO
100	LOOSE PIECE, BOX	SAME AS 53425-1	8-53425-1
500	LOOSE PIECE	BODY & SLEEVE: COPPER PER ASTM B152 TIN-LEAD (93-7) PLATE PER ASTM B545, (3% MIN LEAD CONTENT) INSULATION: PVF2 COLOR - NATURAL	5 53425-1

AMP INCORPORATED CUSTOMER SERVICE SYSTEMS		MAX RECOMMENDED OPERATING TEMPERATURE: 150°C [302°F] MAX
FOR ADDITIONAL PRODUCT INFORMATION OR COPIES OF DRAWINGS AND TECHNICAL DOCUMENTS	PRODUCT INFORMATION CENTER 1-800-522-6752	VOLTAGE RATING: -
FOR APPLICATION TOOLING INFORMATION	TOOLING ASSISTANCE CENTER 1-800-722-1111	CIRCULAR MIL AREA: 2.62-6.64mm² [5,180-13,100] STRANDED
FOR ORDER ENTRY	1-800-526-5142	THIS DRAWING IS A CONTROLLED DOCUMENT FOR AMP INCORPORATED. IT IS SUBJECT TO CHANGE AND THE CONTROLLING ENGINEERING ORGANIZATION SHOULD BE CONTACTED FOR THE LATEST REVISION.

THIS DRAWING IS A CONTROLLED DOCUMENT.	
DIMENSIONS: mm [INCHES]	TOLERANCES UNLESS OTHERWISE SPECIFIED: 0 PLC ± - 1 PLC ± - 2 PLC ± - 3 PLC ± 0.20[.008] 4 PLC ± - ANGLES ± -
MATERIAL SEE TABLE	FINISH SEE TABLE

DWN JR RUTH 16OCT07	 TE Connectivity	NAME TERMINAL, RING TONGUE, PVF2, P.I.D.G. WIRE SIZE: 12-10 AWG	
CHK T MICHIELUTTI 16OCT07		SIZE A3	CAGE CODE 00779
APVD T MICHIELUTTI 16OCT07		DRAWING NO C-53425	RESTRICTED TO -
PRODUCT SPEC -		SCALE 4:1	SHEET 1 OF 1
APPLICATION SPEC -	WEIGHT -	CUSTOMER DRAWING	REV R4