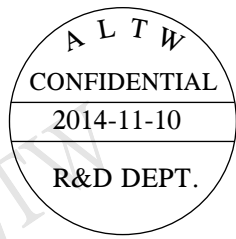
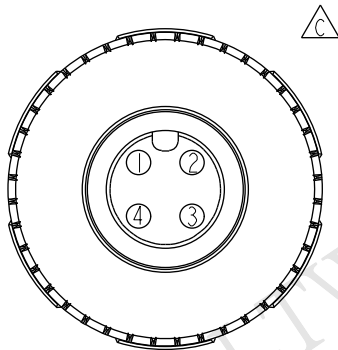
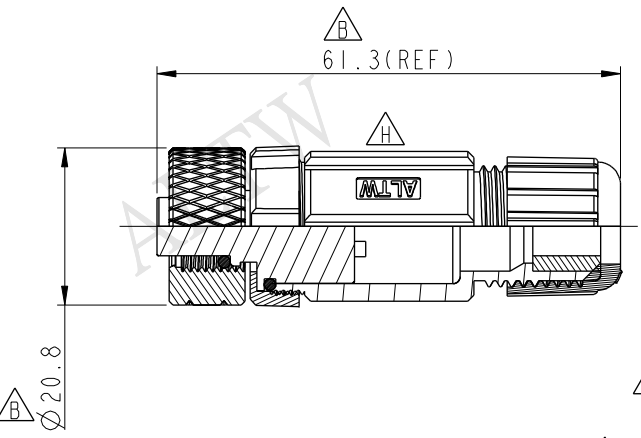
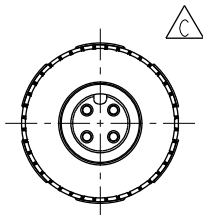
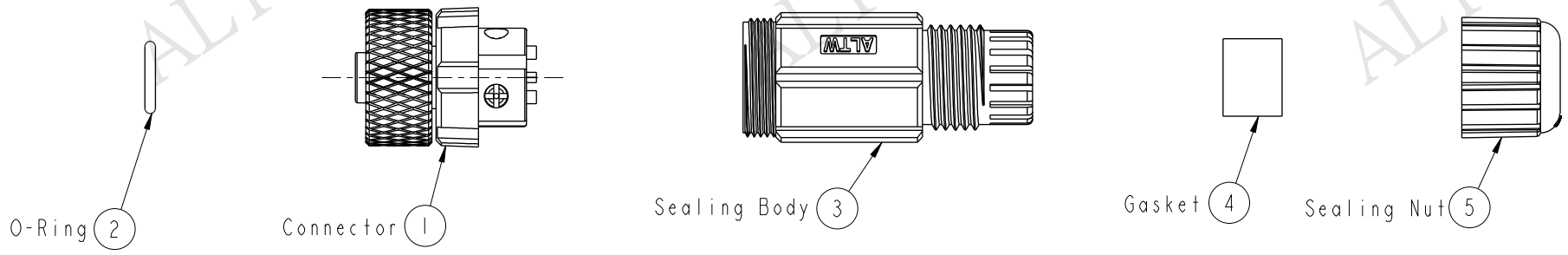


THIS DOCUMENT IS SUBJECT TO CHANGE WITHOUT NOTICE. IT IS CONFIDENTIAL AND A PROPERTY OF AMPHENOL LTW. DISCLOSURE TO THIRD PARTY HAS TO BE AUTHORIZED BY AMPHENOL LTW.

REV.	ECN NO.	DATE	SIGN	DESCRIPTION
F	LEN1350065	2013/04/29	Ruru	Modify Seals Cable OD
G	LEN1410062	2014/01/09	Ruru	Remove Temperature Range
H	LEN14B0145	2014/11/10	Ruru	Change Logo LTW To ALTW



- Note:
- \*  $\text{⌀}$  Important Dimensions.
  - \* Waterproof Rate: IP67
  - \* Connector: M-PPE 540Z, Black
  - \* Pin: Copper Alloy, Gold Plated
  - \* O-Ring 1: Viton, Green
  - \* O-Ring 2: EPDM, Black
  - \* Holder: Nylon+GF, Black
  - \* Clamp Ring: Nylon 66, Black
  - \* Gasket: EPDM, Black
  - \* Sealing Nut: Nylon 66, Black
  - \* Nut: Copper Alloy, Nickel Plated
  - \* Seals For Cable OD  $\text{⌀}4.5\text{mm}-\text{⌀}6.5\text{mm}$

UNIT:mm		
TOLERANCE	.X $\pm 0.25$	.XX $\pm 0.1$
	.XXX $\pm 0.05$	ANGLES $\pm 1^\circ$

TITLE M12 Screw In Female Conn A-Code			
SCALE 1:1	SIZE A4	SHEET 1 OF 1	
REV. H	WC-REV. C.2	QC: Inspection item	

**Amphenol LTW**  
安費諾亮泰企業股份有限公司

ITEM NO 12-04BFFB-SL7001	DRAWN BY Ruru	DATE 2014-11-10
DWG NO 12-04BFFB-SL7001	CHECKED BY Rita	DATE 2014-11-10
CUSTOMER ALTW	APPROVED BY Win	DATE 2014-11-10

ALTW