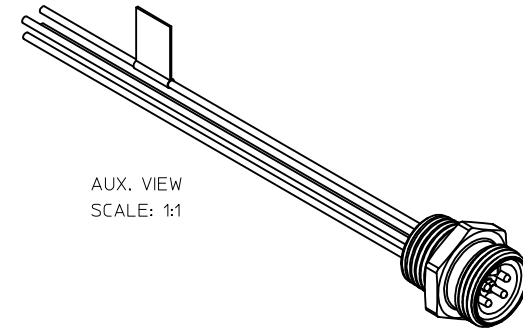


© PART NO. LEGEND

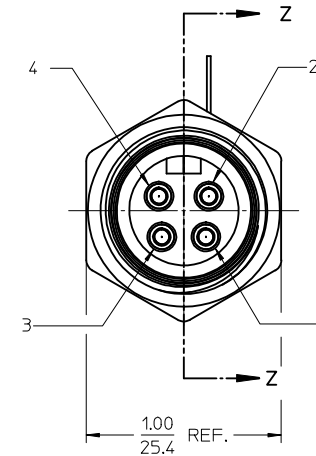
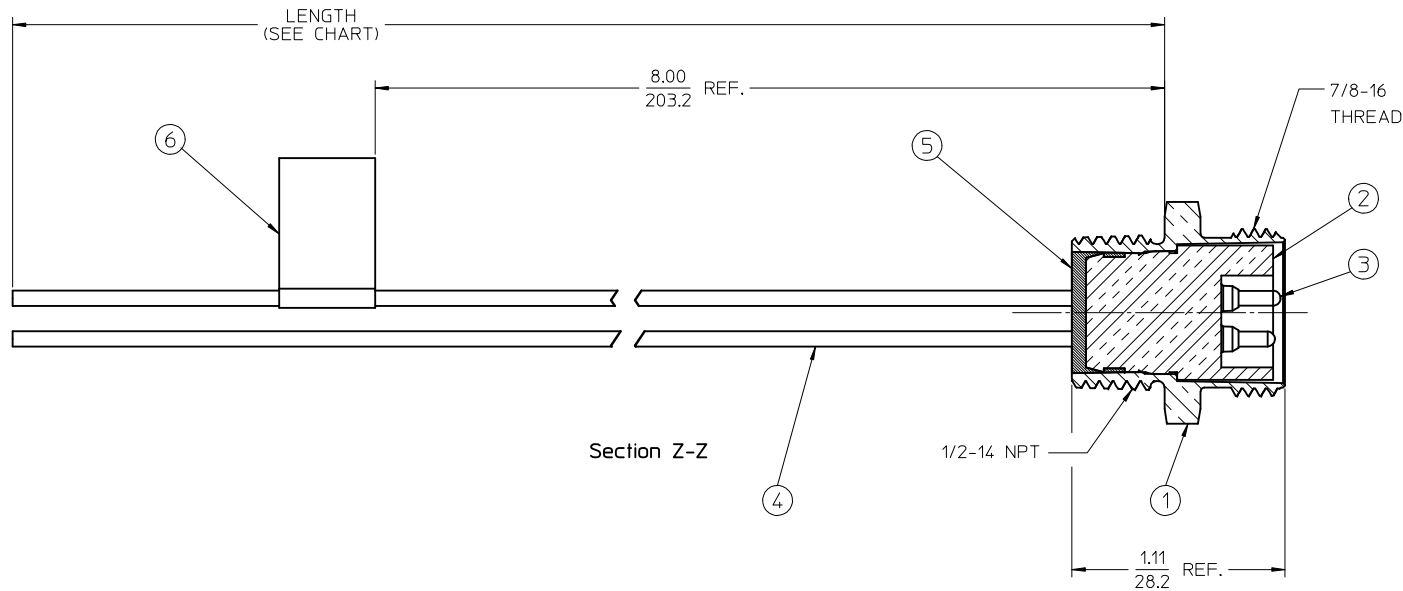
1R4006A39M005

WIRE TYPE: 16 AWG PVC

FINISHED LENGTH
M005= 0.5 METER
M010= 1 METER
M100= 10 METERS



AUX. VIEW
SCALE: 1:1



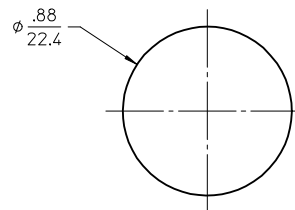
WIRE DIAGRAM

BROWN	1
WHITE	2
BLUE	3
BLACK	4

PIN-OUT PER CENELEC COLOR CODE

NOTES:

1. MATERIAL: SEE TABLE
2. FINISHES: SEE TABLE
3. MATES WITH: 4C MINI CHANGE CABLE
4. ELECTRICAL SPECIFICATIONS:
VOLTAGE RATING: 320V PER IEC 60664 ©
600V PER UL 2238
CURRENT RATING: 10.0 AMPS
- © 5. PROTECTION: IP67 (WHEN MATED)



KNOCKOUT HOLE

ITEM	QTY.	DESCRIPTION	MATERIAL	FINISH
6	1	LABEL	VINYL	BLACK/YELLOW
5	1	POTTING MATERIAL	EPOXY	
4	4	WIRE, 16 AWG	PVC INSULATION	SEE WIRE DIAGRAM
3	4	CONTACT PIN	Cu ALLOY	GOLD PLATED
2	1	INSERT	PVC	YELLOW
1	1	RECEPTACLE SHELL	ZINC DIE-CAST	BLACK

REV. ELECT. SPEC. NOTE 5 ADD P/N LEGEND EC NO: IPG2017-0392	2016/10/18 DRAWNR:STONE	DESCRIPTION
	2016/10/27 CHKDK:COX	
	2016/11/23 APPR:WOODMAN	
QUALITY SYMBOLS	▽=0	▽=0

GENERAL TOLERANCES (UNLESS SPECIFIED)	
mm	INCH
4 PLACES ± ---	± ---
3 PLACES ± ---	± ---
2 PLACES ± ---	± .01
1 PLACE ± 0.3	± ---
ANGULAR ± 1/2°	
DRAFT WHERE APPLICABLE MUST REMAIN WITHIN DIMENSIONS	

DIMENSION STYLE	
IN/MM	
DRAWN BY	DATE
R.STONE	2009/08/24
CHECKED BY	DATE
B.WOODMAN	2009/08/27
APPROVED BY	DATE
JFMURPHY	2009/08/26
MATERIAL NO.	
-	

SCALE	DESIGN UNITS	THIRD ANGLE PROJECTION
2:1	INCH	☉
TITLE		
MINI-CHANGE, RECEPTACLE 4P, MALE, 16 AWG		
MOLEX INCORPORATED		SHEET NO.
DOCUMENT NO.		1 OF 1
SD-130013-080		
THIS DRAWING CONTAINS INFORMATION THAT IS PROPRIETARY TO MOLEX INCORPORATED AND SHOULD NOT BE USED WITHOUT WRITTEN PERMISSION		