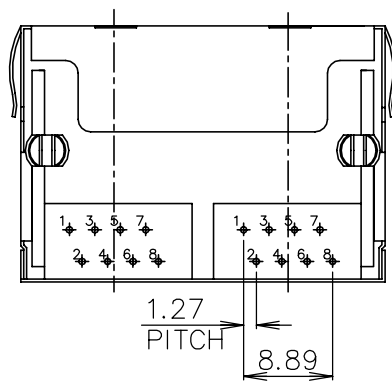
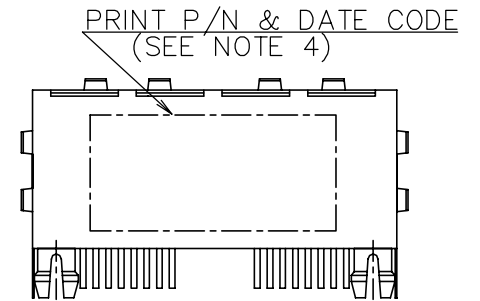
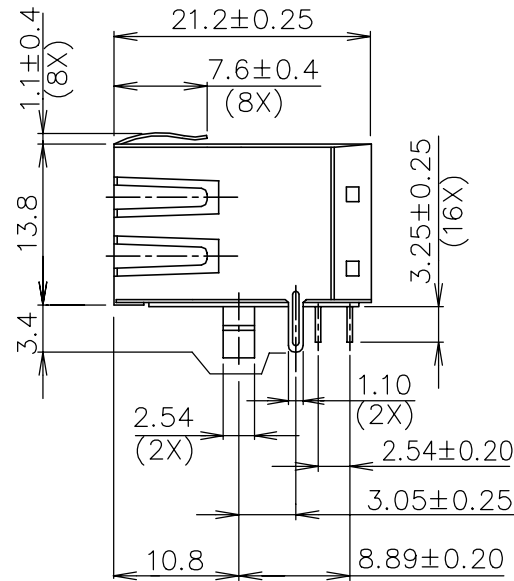
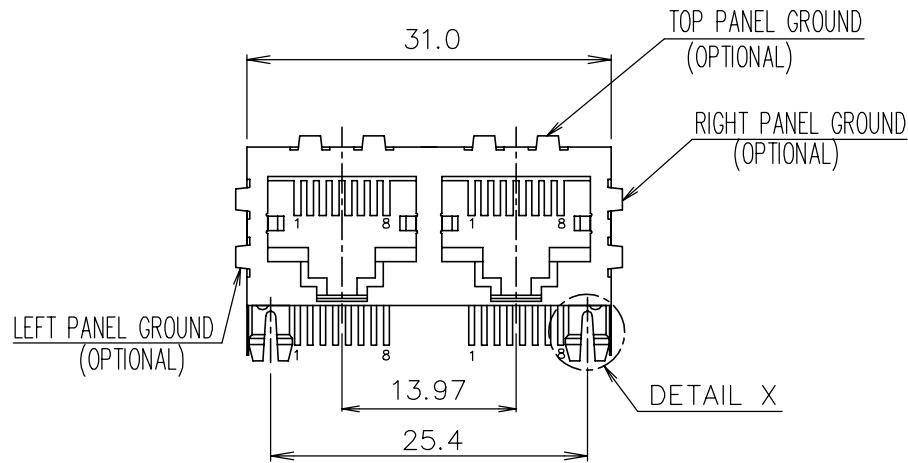
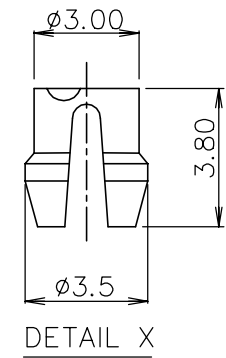
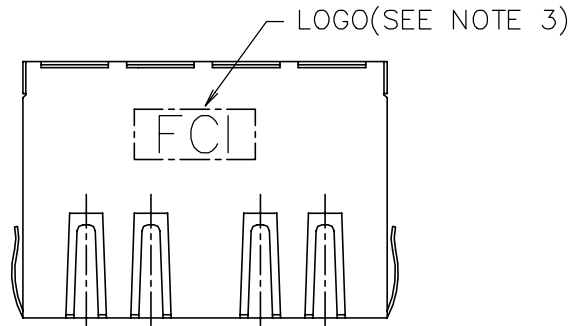
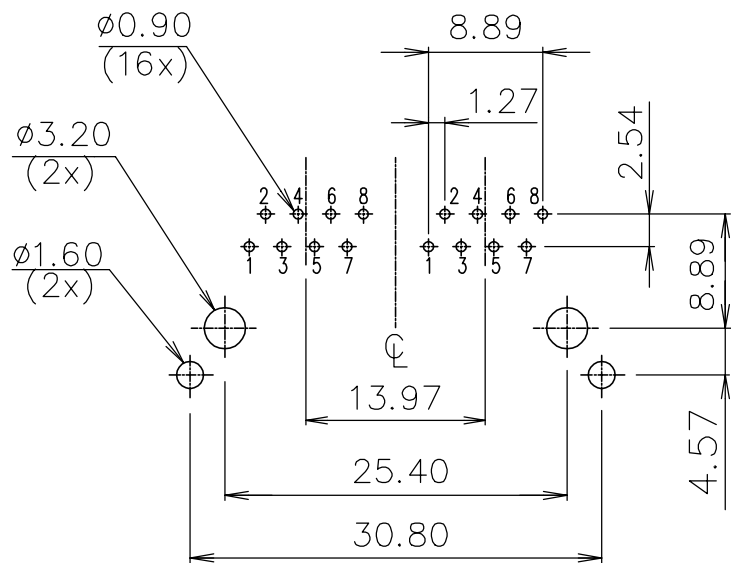


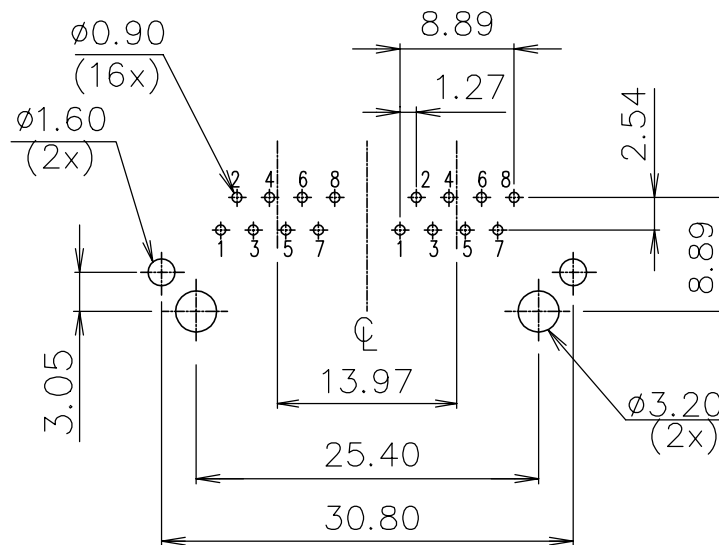
| | | | | | | | | | |
|-------------|--|----------------------|--|----------------------|--|---------------------|--|---------------------------------------|--|
| mat'l. code | | surface ASME Y14.5 ✓ | | tolerance ASME Y14.5 | | projection | | product family | |
| ltr | | ecn no | | dr | | date | | tolerances unless otherwise specified | |
| A | | WL | | 11/04/11 | | 11/04/11 | | GANGED MJACK | |
| | | | | angles | | X.X±0.25 | | title | |
| | | | | X°±1' | | X.XX±0.13 | | CAT 3 MULTI-PORTS TAB DOWN | |
| | | | | dr | | WENDY CHEN 05/03/11 | | 1x2 WITH SHIELD, W/O LED | |
| | | | | enr | | WENDY CHEN 05/03/11 | | scale | |
| | | | | chr | | WENDY CHEN 05/03/11 | | MM [INCH] | |
| | | | | appd | | GARY HSIEH 05/03/11 | | type | |
| | | | | | | | | CUSTOMER Drawing | |
| sheet index | | revision sheet | | A A | | A A | | dwg no | |
| | | 1 2 | | A A | | 3 4 | | sheet 1 of 4 | |
| | | | | | | | | size | |
| | | | | | | | | A4 | |



| | | | | | |
|-------------|----------------|-------------------------|-------------------------|--|---|
| mat'l. code | | surface ASME Y14.5 ✓ | tolerance ASME Y14.5 | projection MM [INCH] | product family GANGED MJACK |
| ltr | ecn no | dr | date | tolerances unless otherwise specified | title CAT 3 MULTI-PORTS TAB DOWN 1x2 WITH SHIELD, W/O LED |
| A | | | | angles X.X±0.25 X.XX±0.13 X*±1* | |
| | | dr | WENDY CHEN | 05/03/11 | |
| | | enr | WENDY CHEN | 05/03/11 | |
| | | chr | WENDY CHEN | 05/03/11 | |
| | | appd | GARY HSIEH | 05/03/11 | |
| sheet index | revision sheet | | | | dwg no 10118061 type CUSTOMER Drawing |



RECOMMENDED PCB LAYOUT
 RECOMMENDED PCB THICKNESS: 1.6mm
 TOLERANCE: ±0.05 (TOP VIEW)



RECOMMENDED PCB LAYOUT
 RECOMMENDED PCB THICKNESS: 1.6mm
 TOLERANCE: ±0.05 (TOP VIEW)

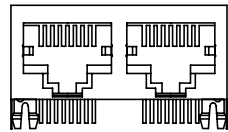
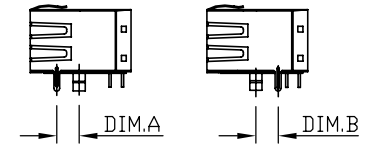
| | | | | | | | | | |
|-------------|----------------|-------------------------|------|---------------------------------------|------------|------------------------|--------------|---|--|
| mat'l. code | | surface ASME Y14.5 ✓ | | tolerance ASME Y14.5 | | projection [Symbol] | | product family GANGED MJACK | |
| ltr | ecn no | dr | date | tolerances unless otherwise specified | | | | | |
| A | | | | angles | ∠ | X.X±0.25 | MM [INCH] | title CAT 3 MULTI-PORTS TAB DOWN 1x2 WITH SHIELD, W/O LED | |
| | | | | | ∠ | X.XX±0.13 | | | |
| | | | | X*±1* | | X.XXX±0.05 | | | |
| | | | | dr | WENDY CHEN | 05/03/11 | FCI | dwg no | |
| | | | | enr | WENDY CHEN | 05/03/11 | | sheet 3 of 4 | |
| | | | | chr | WENDY CHEN | 05/03/11 | | 10118061 | |
| | | | | appd | GARY HSIEH | 05/03/11 | | A4 | |
| sheet index | revision sheet | | | | | | | type CUSTOMER Drawing | |

NOTE:

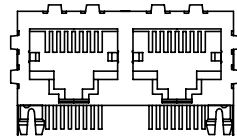
1. MATERIAL:
HOUSING: HIGH TEMPERATURE THERMOPLASTIC, UL94V-0
COLOR: BLACK.
CONTACTS: COPPER ALLOY.
SHIELD: COPPER ALLOY.
2. FINISH:
CONTACTS: 50u" MIN. NICKEL UNDER PLATED OVER ALL.
SELECTIVE GOLD PLATED ON CONTACT AREA,
1u" GOLD PLATED ON SOLDER TAIL.
SHIELD: 20u" MIN. NICKEL OVER ALL.
3. LASER MARK FCI LOGO ON THE TOP OF SHIELD.
4. "DATE CODE" DESCRIPTION:
XX XX
WEEK
YEAR (EX. : 10--2010)
5. PRODUCT PERFORMANCE PER SPEC. : GS-12-0990.
6. PACKING SPEC. : GS-14-2170.
7. THIS PRODUCT MEETS THE EUROPEAN UNION DIRECTIVE AS DESCRIBED IN GS-22-008.
8. THE HOUSING WILL WITHSTAND EXPOSURE TO 260°C PEAK TEMPERATURE FOR 5 SECONDS IN A WAVE SOLDER APPLICATION WITH A CIRCUIT BOARD.

9. PART NUMBER DESCRIPTION:

- 10118061-X X X X X X X LF
- LEAD FREE
 - 0 : RESERVED (NOT USED)
 - PACKAGING
1 : TRAY
 - OPTIONAL BACK SHIELD TAB
0 : WITHOUT BACK SHIELD TAB
 - OPTIONAL RIGHT / LEFT SHIELD TAB
1 : DIM.A=4.57
5 : DIM.B=3.05
 - OPTIONAL PANEL GROUND
0 : WITHOUT PANEL GROUND
3 : TOP/RIGHT/LEFT 3 SIDES WITH PANEL GROUND
 - LED COLOR
0 : WITHOUT LED
 - CONTACT AREA PLATING
1 : 15u" GOLD PLATING
2 : 30u" GOLD PLATING
5 : 1u" GOLD FLASH PLATING



10118061-XX0XXXXLF
(WITHOUT PANEL GROUND)



10118061-XX3XXXXLF
(3 SIDES PANEL GROUND)

| | | | | | | |
|-------------|----------------|-----------------------|-------------------------|---------------------------------------|--------------------------------|---|
| mat'l. code | | surface ASME Y14.5 | tolerance ASME Y14.5 | projection ⊕ | product family GANGED MJACK | |
| ltr | ecn no | dr | date | tolerances unless otherwise specified | | title CAT 3 MULTI-PORTS TAB DOWN 1x2 WITH SHIELD, W/O LED |
| A | | | | angles X.X±0.25 | MM [INCH] | |
| | | | | X.XX±0.13 | scale | dwg no 10118061 sheet 4 of 4 size A4 |
| | | | | X.XXX±0.05 | | |
| | | dr | WENDY CHEN | 05/03/11 | FCI | type CUSTOMER Drawing |
| | | enr | WENDY CHEN | 05/03/11 | | |
| | | chr | WENDY CHEN | 05/03/11 | | |
| | | appd | GARY HSIEH | 05/03/11 | | |
| sheet index | revision sheet | | | | | |