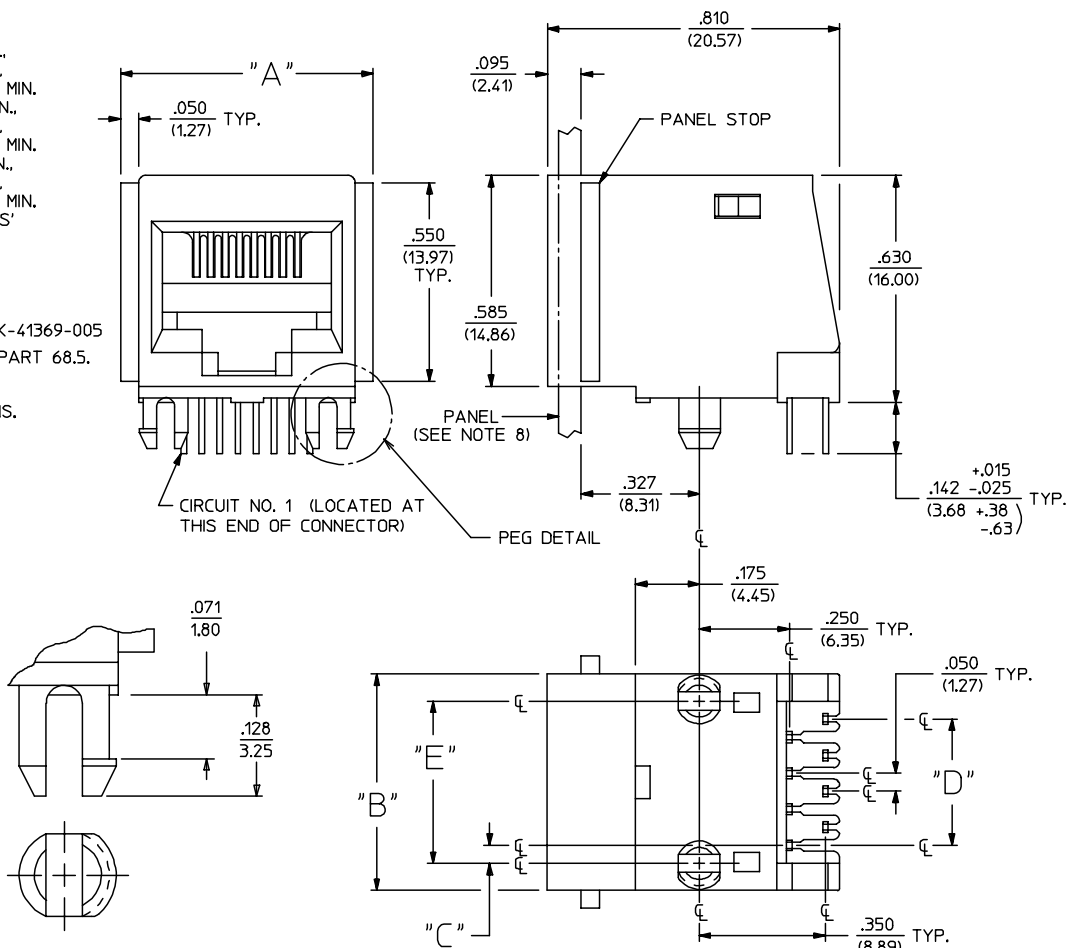


NOTES:

- 1) MATERIALS:
HOUSING: GLASS FILLED POLYESTER, UL94 V-0, COLOR: BLACK
TERMINALS: PHOSPHOR BRONZE
- 2) FINISH:
TERMINALS:
(A) SELECT GOLD IN CONTACT AREA: 50 MICROINCHES (1.27 MICROMETERS) MIN.,
*SELECT TIN IN PC TAIL AREA: 100 MICROINCHES (2.54 MICROMETERS) MIN.,
WITH OVERALL NICKEL UNDERPLATE: 50 MICROINCHES (1.27 MICROMETERS) MIN.
(B) SELECT GOLD IN CONTACT AREA: 30 MICROINCHES (0.76 MICROMETERS) MIN.,
*SELECT TIN IN PC TAIL AREA: 100 MICROINCHES (2.54 MICROMETERS) MIN.,
WITH OVERALL NICKEL UNDERPLATE: 50 MICROINCHES (1.27 MICROMETERS) MIN.
(C) SELECT GOLD IN CONTACT AREA: 15 MICROINCHES (0.38 MICROMETERS) MIN.,
*SELECT TIN IN PC TAIL AREA: 100 MICROINCHES (2.54 MICROMETERS) MIN.,
WITH OVERALL NICKEL UNDERPLATE: 50 MICROINCHES (1.27 MICROMETERS) MIN.
*THE PRIMARY SHIPPING CARTON WILL BE LABELED 'COMPLIANT TO RoHS'
DIRECTIVE 2002/95/EC AND ELV ANNEX II OF DIRECTIVE 2000/53/EC.'
CARTONS WITHOUT THIS LABEL MAY CONTAIN PRODUCT WITH TIN-LEAD
IN THE PC TAIL AREA.
- 3) ALL JACKS MUST MEET THE REQUIREMENTS OF MOLEX SPECIFICATION #PS-41314.
- 4) PACKAGING OPTIONS: THERMOFORMED TRAYS PER PK-41369-004 OR TUBES PER PK-41369-005
- 5) JACKS CONFORM TO AND ACCEPT PLUGS WHICH CONFORM TO FCC REGULATIONS, PART 68.5.
- 6) JACKS ARE TO BE USED WITH .062/(1.57) THICK PRINTED CIRCUIT BOARDS.
- 7) SEE SHEET 3 FOR RECOMMENDED PANEL CUT-OUT AND BOARD LAYOUT DIMENSIONS.
- 8) PANEL TO BE LOCATED AGAINST MODULAR JACK FLANGE AS INDICATED.
- 9) ALL UNTOLERANCED DIMENSIONS ARE SHOWN FOR REFERENCE ONLY.



PEG DETAIL
SCALE: 8:1

SIZE 8 MODULAR JACK HOUSING LOADED WITH 8 TERMINALS IS SHOWN ABOVE

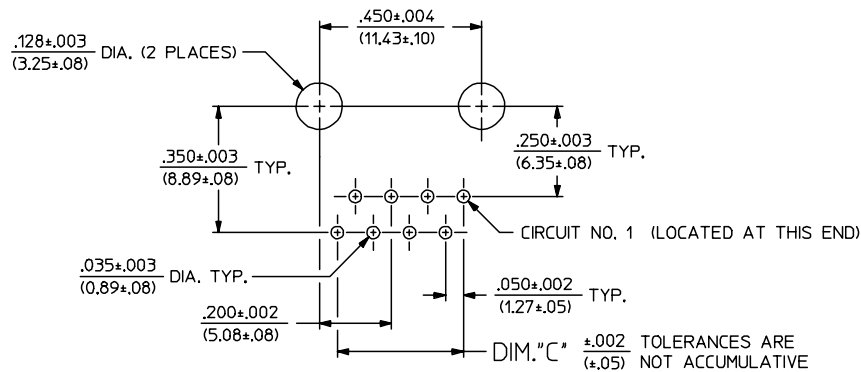
| | | | | | | |
|--------------|--------------|-----------------|-----------------|----------------|----------------|-----------------|
| 8 | 2 | .700 (17.78) | .600 (15.24) | .200 (5.08) | .050 (1.27) | .450 (11.43) |
| 8 | 4 | .700 (17.78) | .600 (15.24) | .150 (3.81) | .150 (3.81) | .450 (11.43) |
| 8 | 6 | .700 (17.78) | .600 (15.24) | .100 (2.54) | .250 (6.35) | .450 (11.43) |
| 8 | 8 | .700 (17.78) | .600 (15.24) | .050 (1.27) | .350 (8.89) | .450 (11.43) |
| 6 | 2 | .620 (15.75) | .520 (13.21) | .175 (4.45) | .050 (1.27) | .400 (10.16) |
| 6 | 4 | .620 (15.75) | .520 (13.21) | .125 (3.18) | .150 (3.81) | .400 (10.16) |
| 6 | 6 | .620 (15.75) | .520 (13.21) | .075 (1.91) | .250 (6.35) | .400 (10.16) |
| 4 | 2 | .540 (13.72) | .440 (11.18) | .125 (3.18) | .050 (1.27) | .300 (7.62) |
| 4 | 4 | .540 (13.72) | .440 (11.18) | .075 (1.91) | .150 (3.81) | .300 (7.62) |
| HOUSING SIZE | CIRCUIT SIZE | DIM. "A" | DIM. "B" | DIM. "C" | DIM. "D" | DIM. "E" |

| | | | | | | |
|---|-------------------------------|---|----------------------|--|---|--------------------|
| REMOVE FILM/AMMO PACK EC NO: UCP2006-2453 DRAWN: PRIDDER 2006/06/14 CHKD: LSCHMIDT 2006/06/27 APPR: FSMITH 2006/06/29 | QUALITY SYMBOLS | GENERAL TOLERANCES (UNLESS SPECIFIED) | SCALE 4:1 | DESIGN UNITS INCH | THIRD ANGLE PROJECTION | REVISE ON CAD ONLY |
| | DESCRIPTION | mm | INCH | DIMENSION STYLE IN/MM | RIGHT ANGLE FLUSH MOUNT MODULAR JACK ASSEMBLY | |
| | | 4 PLACES ± --- ± --- | 3 PLACES ± --- ± --- | DRAWN BY DATE | | |
| | | 2 PLACES ± --- ± --- | 1 PLACE ± --- ± --- | GLT 1990/05/09 | | |
| ANGULAR ±1/2° | DRAFT WHERE APPLICABLE | CHECKED BY DATE | BAP 1990/05/09 | MATERIAL NO. DOCUMENT NO. SHEET NO. | | |
| | MUST REMAIN WITHIN DIMENSIONS | APPROVED BY DATE | RAS 1990/05/09 | SEE SHEET 2 SDA-41369-***** 1 OF 3 | | |
| | | THIS DRAWING CONTAINS INFORMATION THAT IS PROPRIETARY TO MOLEX INCORPORATED AND SHOULD NOT BE USED WITHOUT WRITTEN PERMISSION | | | | |

| | |
|----|-----|
| 3 | V |
| 2 | V1 |
| 1 | V1 |
| SH | REV |

| | 13 | 12 | 11 | 10 | 9 | 8 | 7 | 6 | 5 | 4 | 3 | 2 | 1 | |
|---|-------------------------|---------------|--------------|--------------|----------------|------------------|---|---|---|---|---|---|---|---|
| | ENGINEERING PART NUMBER | E.D.P. NUMBER | HOUSING SIZE | CIRCUIT SIZE | PLATING OPTION | PACKAGING OPTION | | | | | | | | |
| J | A-41369-44ABAA | 015-43-7544 | 4 | 4 | (A) | TRAY PACK | | | | | | | | J |
| | A-41369-44CBAA | 015-43-7541 | 4 | 4 | (C) | TRAY PACK | | | | | | | | |
| | A-41369-42ABAA | 015-43-7540 | 4 | 2 | (A) | TRAY PACK | | | | | | | | |
| | A-41369-66ABAA | 015-43-7566 | 6 | 6 | (A) | TRAY PACK | | | | | | | | |
| | A-41369-66BBAA | 015-43-7567 | 6 | 6 | (B) | TRAY PACK | | | | | | | | |
| | A-41369-64ABAA | 015-43-7564 | 6 | 4 | (A) | TRAY PACK | | | | | | | | |
| | A-41369-64BBAA | 015-43-7565 | 6 | 4 | (B) | TRAY PACK | | | | | | | | |
| I | A-41369-62ABAA | 015-43-7563 | 6 | 2 | (A) | TRAY PACK | | | | | | | | I |
| | A-41369-88ABAA | 015-43-7588 | 8 | 8 | (A) | TRAY PACK | | | | | | | | |
| | A-41369-86ABAA | 015-43-7586 | 8 | 6 | (A) | TRAY PACK | | | | | | | | |
| | A-41369-84ABAA | 015-43-7584 | 8 | 4 | (A) | TRAY PACK | | | | | | | | |
| | A-41369-82ABAA | 015-43-7580 | 8 | 2 | (A) | TRAY PACK | | | | | | | | |
| | A-41369-44ACAA | 015-43-7546 | 4 | 4 | (A) | TUBES | | | | | | | | |
| | A-41369-64ACAA | 015-43-7570 | 6 | 4 | (A) | TUBES | | | | | | | | |
| H | A-41369-62ACAA | 015-43-7571 | 6 | 2 | (A) | TUBES | | | | | | | | H |
| G | | | | | | | | | | | | | G | |
| F | | | | | | | | | | | | | F | |
| E | | | | | | | | | | | | | E | |
| D | | | | | | | | | | | | | D | |
| C | | | | | | | | | | | | | C | |
| B | | | | | | | | | | | | | B | |
| A | | | | | | | | | | | | | A | |

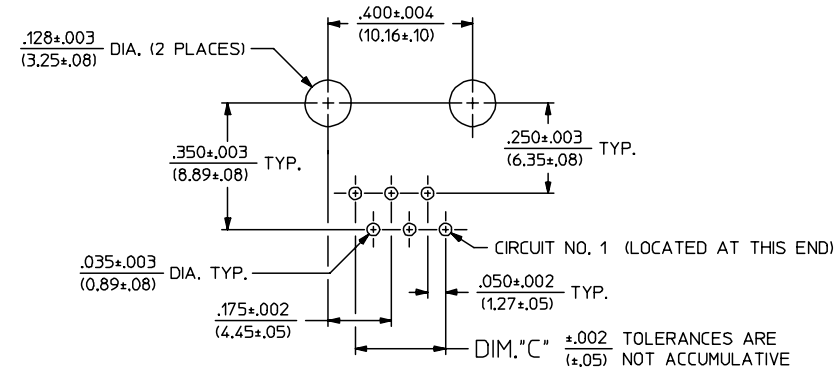
| SEE SHEET ONE EC NO: UCP2006-2453 DRWN: PRIDDER 2006/06/14 CHKD: LSCHMIDT 2006/06/27 APPR: FSMITH 2006/06/29 V1 | QUALITY SYMBOLS | GENERAL TOLERANCES (UNLESS SPECIFIED) | SCALE --- | DESIGN UNITS INCH | THIRD ANGLE PROJECTION | REVISE ON CAD ONLY | | | | | | | | | | | | | | | | |
|--|--|---|-----------|---|------------------------|--------------------|-------|-------|----------|-------|-------|----------|-------|-------|---------|-------|-------|---|---|--|--|--|
| | - 0 - 0 | <table border="1"> <thead> <tr> <th></th> <th>mm</th> <th>INCH</th> </tr> </thead> <tbody> <tr> <td>4 PLACES</td> <td>± ---</td> <td>± ---</td> </tr> <tr> <td>3 PLACES</td> <td>± ---</td> <td>± ---</td> </tr> <tr> <td>2 PLACES</td> <td>± ---</td> <td>± ---</td> </tr> <tr> <td>1 PLACE</td> <td>± ---</td> <td>± ---</td> </tr> </tbody> </table> | | mm | INCH | 4 PLACES | ± --- | ± --- | 3 PLACES | ± --- | ± --- | 2 PLACES | ± --- | ± --- | 1 PLACE | ± --- | ± --- | DIMENSION STYLE IN/MM DRAWN BY DATE GLT 1990/05/09 CHECKED BY DATE BAP 1990/05/09 APPROVED BY DATE RAS 1990/05/09 | TITLE RIGHT ANGLE FLUSH MOUNT MODULAR JACK ASSEMBLY | MATERIAL NO. SEE CHART DOCUMENT NO. SDA-41369-***** SHEET NO. 2 OF 3 | | |
| | | mm | INCH | | | | | | | | | | | | | | | | | | | |
| | 4 PLACES | ± --- | ± --- | | | | | | | | | | | | | | | | | | | |
| | 3 PLACES | ± --- | ± --- | | | | | | | | | | | | | | | | | | | |
| 2 PLACES | ± --- | ± --- | | | | | | | | | | | | | | | | | | | | |
| 1 PLACE | ± --- | ± --- | | | | | | | | | | | | | | | | | | | | |
| | ANGULAR ±1/2° | | | MOLEX INCORPORATED | | | | | | | | | | | | | | | | | | |
| | DRAFT WHERE APPLICABLE MUST REMAIN WITHIN DIMENSIONS | | | THIS DRAWING CONTAINS INFORMATION THAT IS PROPRIETARY TO MOLEX INCORPORATED AND SHOULD NOT BE USED WITHOUT WRITTEN PERMISSION | | | | | | | | | | | | | | | | | | |
| | | | | | | | | | | | | | | | | | | | | | | |



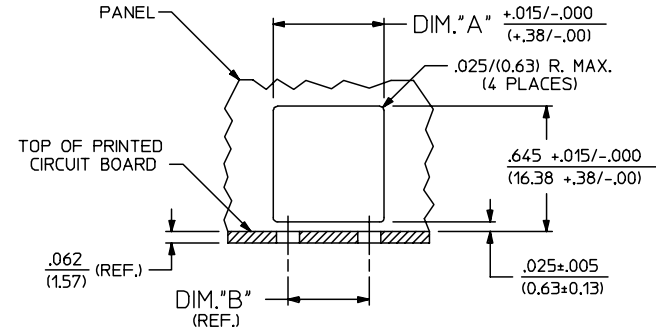
PC BOARD LAYOUT FOR HOUSING SIZE 8

| ENGINEERING PART NUMBER | HOUSING SIZE | CIRCUIT SIZE | DIM. "A" | DIM. "B" | DIM. "C" |
|-------------------------|--------------|--------------|--------------|--------------|-------------|
| A-41369-44XXXX | 4 | 4 | .455/(11.56) | .300/(7.62) | .150/(3.81) |
| A-41369-42XXXX | 4 | 2 | .455/(11.56) | .300/(7.62) | .050/(1.27) |
| A-41369-66XXXX | 6 | 6 | .535/(13.59) | .400/(10.16) | .250/(6.35) |
| A-41369-64XXXX | 6 | 4 | .535/(13.59) | .400/(10.16) | .150/(3.81) |
| A-41369-62XXXX | 6 | 2 | .535/(13.59) | .400/(10.16) | .050/(1.27) |
| A-41369-88XXXX | 8 | 8 | .615/(15.62) | .450/(11.43) | .350/(8.89) |
| A-41369-86XXXX | 8 | 6 | .615/(15.62) | .450/(11.43) | .250/(6.35) |
| A-41369-84XXXX | 8 | 4 | .615/(15.62) | .450/(11.43) | .150/(3.81) |
| A-41369-82XXXX | 8 | 2 | .615/(15.62) | .450/(11.43) | .050/(1.27) |

NOTE: ALL RECOMMENDED BOARD LAYOUTS ARE SHOWN AS COMPONENT SIDE OF BOARD

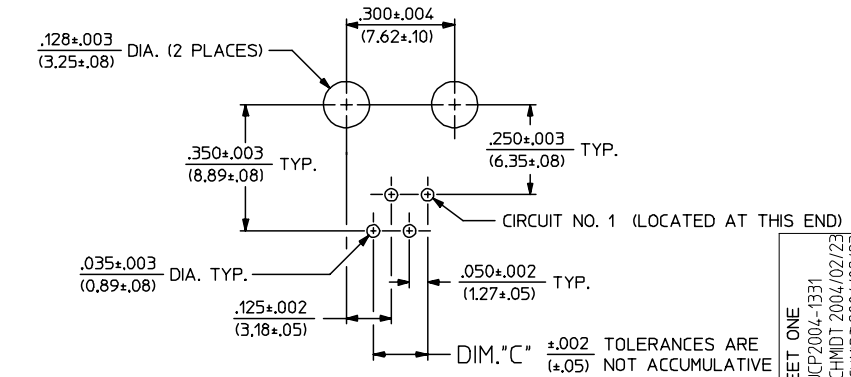


PC BOARD LAYOUT FOR HOUSING SIZE 6



PANEL CUT-OUT GUIDELINES

DIM. "A" MUST BE SYMMETRICAL TO DIM. "B" WITHIN .005/(0.13)



PC BOARD LAYOUT FOR HOUSING SIZE 4

SEE SHEET ONE
 EC NO: UCP2004-1331
 DRWN:LSCHMIDT 2004/02/23
 CHKD:LSCHMIDT 2004/02/23
 APPR:FSMITH 2004/02/26

| QUALITY SYMBOLS | DESCRIPTION |
|-----------------|-------------|
| ▽ = 0 | |
| ▽ = 0 | |

| GENERAL TOLERANCES (UNLESS SPECIFIED) | DIMENSION STYLE | |
|--|-----------------|-------|
| | mm | INCH |
| 4 PLACES ± --- | ± --- | ± --- |
| 3 PLACES ± --- | ± --- | ± --- |
| 2 PLACES ± --- | ± --- | ± --- |
| 1 PLACE ± --- | ± --- | ± --- |
| ANGULAR ±1/2° | | |
| DRAFT WHERE APPLICABLE MUST REMAIN WITHIN DIMENSIONS | | |

| SCALE | DESIGN UNITS |
|------------------|--------------|
| 4:1 | INCH |
| DRAWN BY DATE | |
| GLT | 1990/05/09 |
| CHECKED BY DATE | |
| BAP | 1990/05/09 |
| APPROVED BY DATE | |
| RAS | 1990/05/09 |

| TITLE | MATERIAL NO. | DOCUMENT NO. | SHEET NO. |
|---|--------------|--------------|-----------|
| PANEL/BOARD LAYOUTS FOR RIGHT ANGLE FLUSH MOUNT MODULAR JACK ASSEMBLIES | | | |
| MOLEX MOLEX INCORPORATED | | SEE SHEET 2 | 3 OF 3 |
| THIS DRAWING CONTAINS INFORMATION THAT IS PROPRIETARY TO MOLEX INCORPORATED AND SHOULD NOT BE USED WITHOUT WRITTEN PERMISSION | | | |