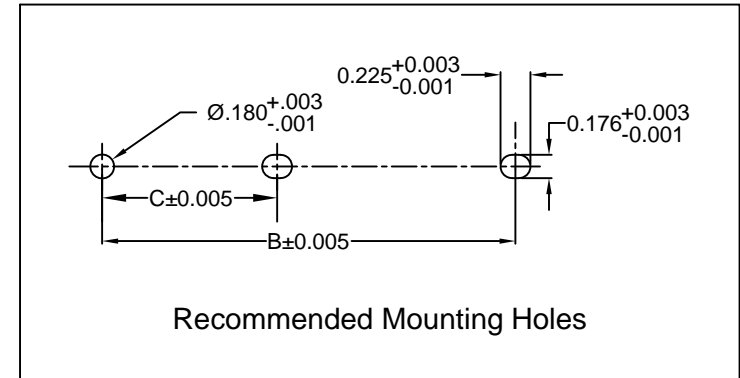
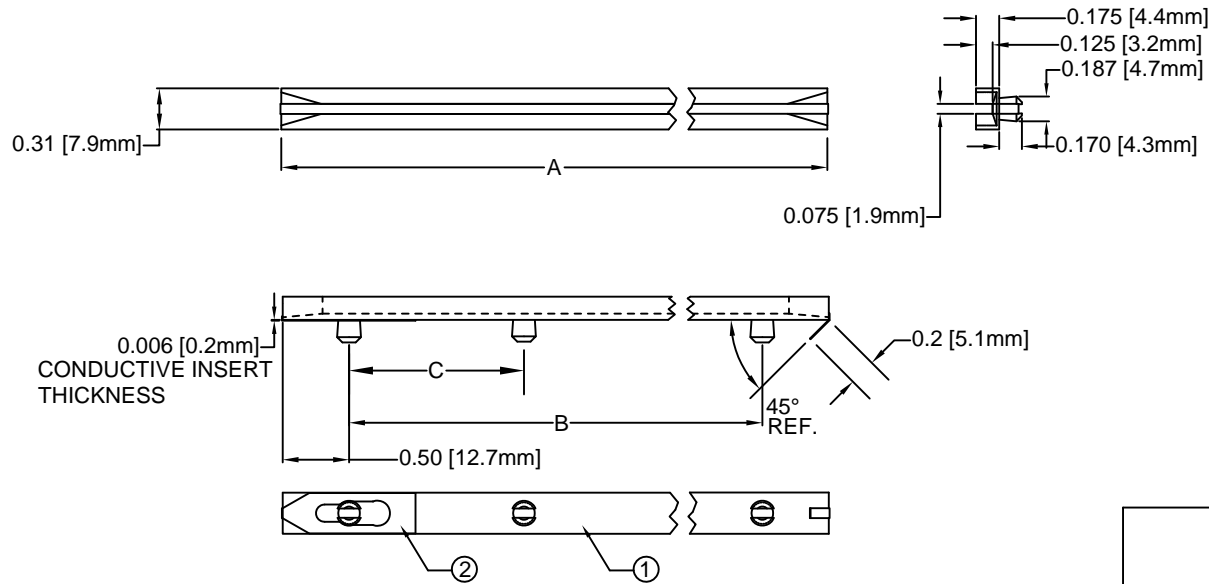


ITEM	QTY	PART NUMBER	PART DESCRIPTION
1	1	SDC-XXX	Interchangeable Snap-In Card Guide
2	1	CS-600-F XX.XX	Conductive Insert, Stainless Steel

REV.	DESCRIPTION	DATE	APPROVED
D	Engineering Release	11/01/13	T. Y.
E	Engineering Update w/o Changes	05/13/16	J. C.



PART NO.	A ±0.032 (.8)	B ±0.016 (.4)	C ±0.008 (.2)	Conductive Insert
SDC-200-CI	2.0 (50.8)	1.0 (25.4)	-	CS-600-F 10.75
SDC-250-CI	2.5 (63.5)	1.5 (38.1)	-	CS-600-F 10.75
SDC-300-CI	3.0 (76.2)	2.0 (50.8)	-	CS-600-F 10.75
SDC-350-CI	3.5 (88.9)	2.5 (63.5)	-	CS-600-F 10.75
SDC-400-CI	4.0 (101.6)	3.0 (76.2)	-	CS-600-F 10.75
SDC-450-CI	4.5 (114.3)	3.5 (88.9)	-	CS-600-F 10.75
SDC-500-CI	5.0 (127.0)	4.0 (101.6)	-	CS-600-F 10.75
SDC-550-CI	5.5 (139.7)	4.5 (114.3)	-	CS-600-F 10.75
SDC-600-CI	6.0 (152.4)	5.0 (127.0)	-	CS-600-F 10.75
SDC-650-CI	6.5 (165.1)	5.5 (139.7)	-	CS-600-F 10.75
SDC-700-CI	7.0 (177.8)	6.0 (152.4)	-	CS-600-F 10.75
SDC-750-CI	7.5 (190.5)	6.5 (165.1)	-	CS-600-F 10.75
SDC-800-CI	8.0 (203.2)	7.0 (177.8)	-	CS-600-F 10.75
SDC-850-CI	8.5 (215.9)	7.5 (190.5)	3.75 (95.3)	CS-600-F 14.00
SDC-900-CI	9.0 (228.6)	8.0 (203.2)	4.00 (101.6)	CS-600-F 14.00
SDC-950-CI	9.5 (241.3)	8.5 (215.9)	4.25 (108.0)	CS-600-F 14.00
SDC-1000-CI	10.0 (254.0)	9.0 (228.6)	4.50 (114.3)	CS-600-F 14.00
SDC-1050-CI	10.5 (266.7)	9.5 (241.3)	4.75 (120.7)	CS-600-F 14.00
SDC-1100-CI	11.0 (279.4)	10.0 (254.0)	5.00 (127.0)	CS-600-F 14.00

STANDARD TOLERANCE (UNLESS OTHERWISE SPECIFIED)		BIVAR [®] 4 THOMAS, IRVINE, CA. 92618 TEL: (949) 951-8808 FAX: (949) 951-3974	
DECIMALS	ANGULAR		
.X ±.1	X° ± 1°	TITLE: INTERCHANGEABLE SNAP-IN CARD GUIDE W/ CONDUCTIVE INSERT PART NO: SDC-XXX-CI REVISION: E CAGE CODE : 32559 SHEET # 1 OF 1 <small>CAD GENERATED DOCUMENT. DO NOT MEASURE DRAWING.</small>	
.XX ±.01			
.XXX ±.005			
DESIGNED: R. Paje	DATE: 05/09/08		
CHECKED: T. Yin	DATE: 05/09/08		