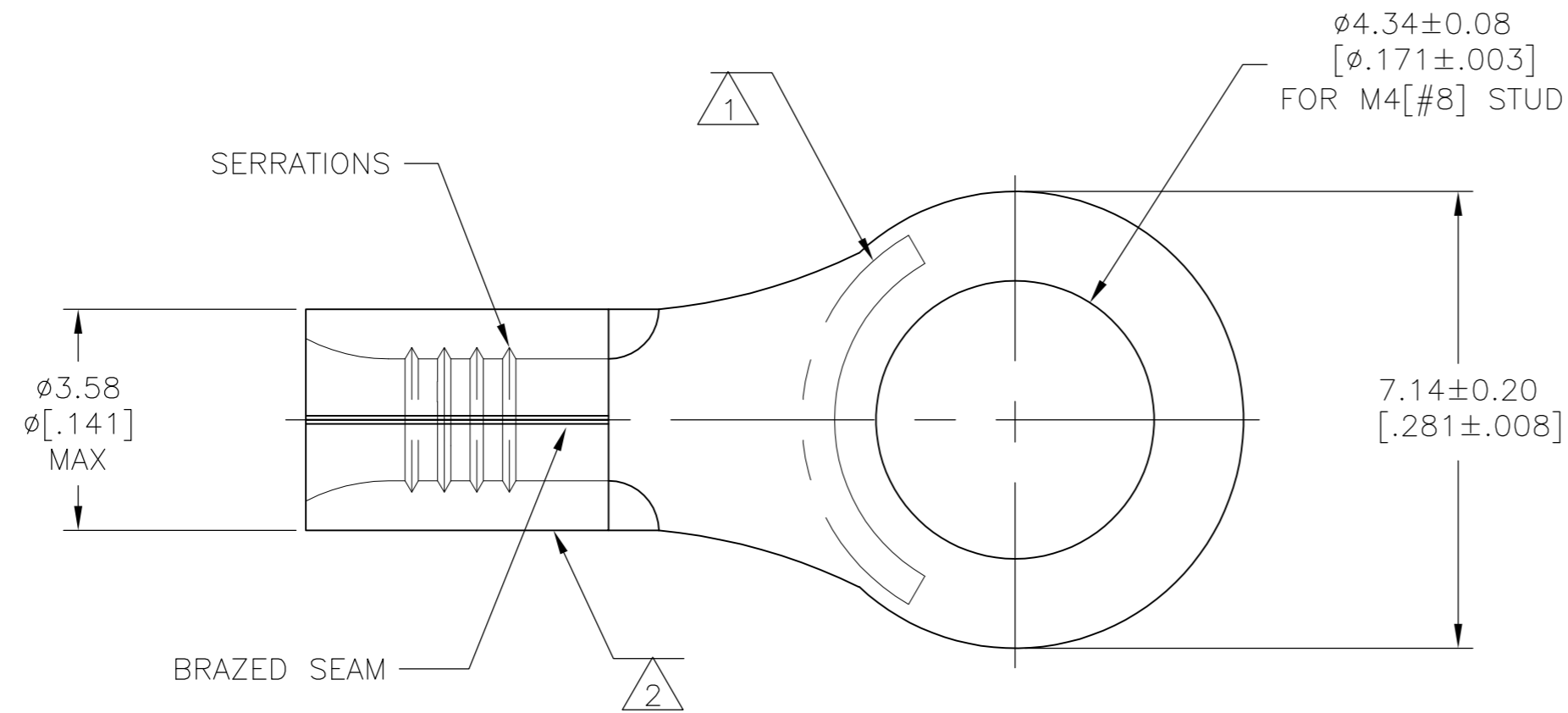
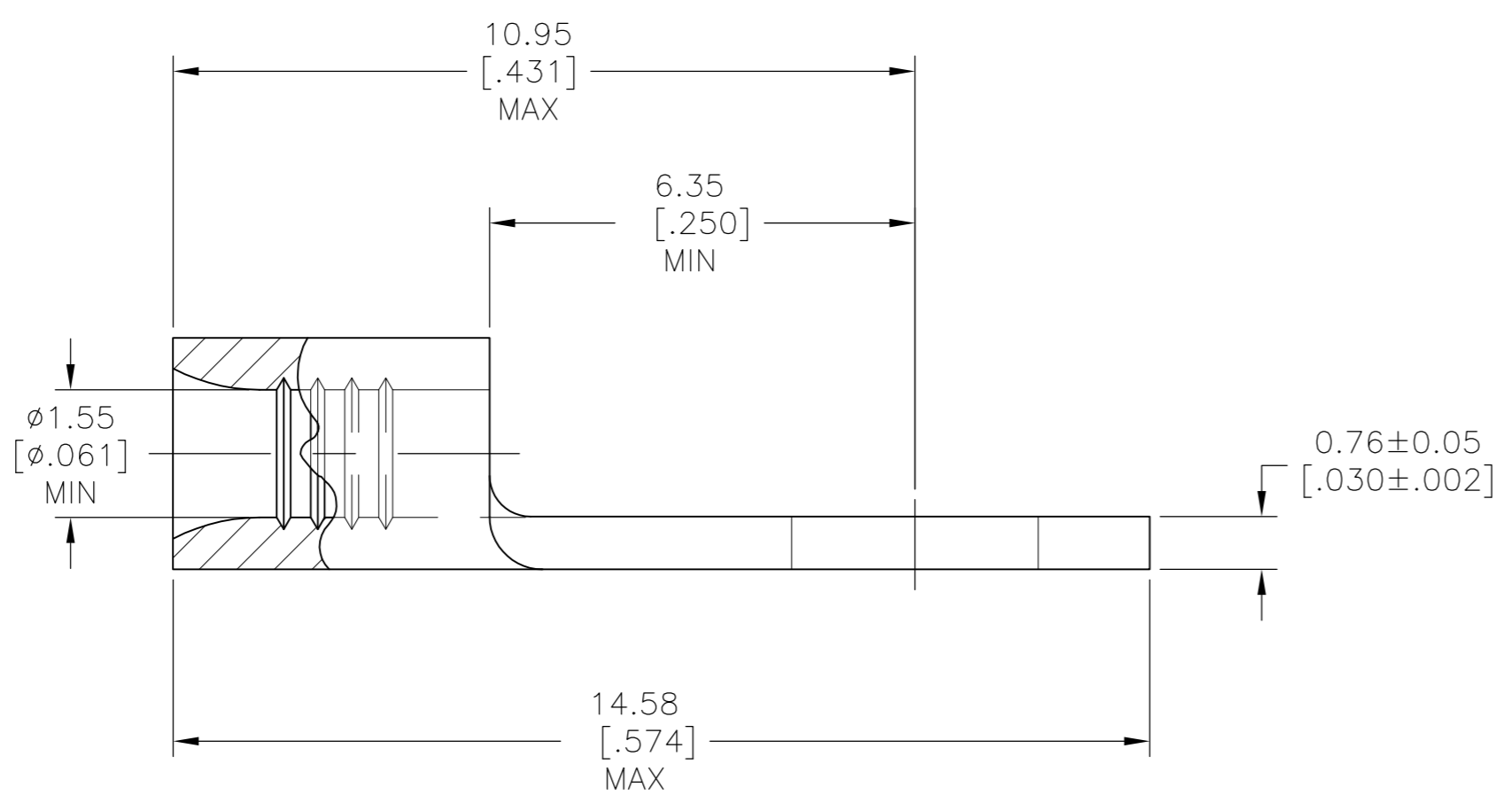


THIS DRAWING IS UNPUBLISHED. RELEASED FOR PUBLICATION
 © COPYRIGHT - By - ALL RIGHTS RESERVED.

LOC	DIST	REVISIONS					
		P	LTR	DESCRIPTION	DATE	DWN	APVD
G	14	F2		REVISED PER ECO-11-012152	15JUN11	HMR	DR



AMP
 WIRE RANGE
 22-16 AWG
 SOLID OR STRANDED



- 1 STAMP AMP 22-18 APPROX AS SHOWN 22-16 TERMINALS ARE STAMPED 22-18 IN ACCORDANCE WITH MILITARY SPECIFICATION SAE AS7928 COMMERCIAL WIRE RANGE IS 22-16
- 2 WIRE BARREL COLOR CODED ORANGE TO DENOTE NICKEL MATERIAL
- 3 TAPE MOUNTED PART NUMBER PRODUCED ONLY BY FOREIGN SUBSIDIARIES OF AMP INC
- 4 OBSOLETE PART.
- 5 GOLD PLATE 0.00127[.000050] MIN EXT THK PER ASTM B488, TYPE1, CODE C OVER NICKEL FLASH PER SAE AMS QQ-N-290 OVER WOODS NICKEL FLASH PER ASTM B558.
- 6 PRELIMINARY PART NUMBER.

AMP INCORPORATED CUSTOMER SERVICE SYSTEMS		MAX RECOMMENDED OPERATING TEMPERATURE: SEE TABLE
FOR ADDITIONAL PRODUCT INFORMATION OR COPIES OF DRAWINGS AND TECHNICAL DOCUMENTS	PRODUCT INFORMATION CENTER 1-800-522-6752	VOLTAGE RATING: NOT APPLICABLE
FOR APPLICATION TOOLING INFORMATION	TOOLING ASSISTANCE CENTER 1-800-722-1111	WIRE CROSS SECTIONAL AREA RANGE: 0.26-1.65mm ² [509-3,260] CIR MILS SOLID OR STRANDED
FOR ORDER ENTRY	1-800-526-5142	THIS DRAWING IS A CONTROLLED DOCUMENT FOR AMP INCORPORATED. IT IS SUBJECT TO CHANGE AND THE CONTROLLING ENGINEERING ORGANIZATION SHOULD BE CONTACTED FOR THE LATEST REVISION.

FINISH	MAX OPERATING TEMP	QTY	PACKAGING TYPE	PART NO
---	649°C [1200°F]	100	LOOSE PIECE, BOX	8-321890-1
---	649°C [1200°F]	---	ON TAPE	32-321890-2
---	260°C [500°F]	1000	LOOSE PIECE	321890-1
---	649°C [1200°F]	1000	LOOSE PIECE	321890

THIS DRAWING IS A CONTROLLED DOCUMENT.		DWN TA BRINKMAN 4-15-93	TE TE Connectivity	
DIMENSIONS: mm [INCHES]		CHK DA PATTERSON 4-15-93		
TOLERANCES UNLESS OTHERWISE SPECIFIED:		APVD DE MILLER 4-15-93	NAME TERMINAL, RING TONGUE, HIGH TEMPERATURE, STRATO-THERM	
0 PLC ± -		PRODUCT SPEC	SIZE A2	
1 PLC ± -		APPLICATION SPEC	CAGE CODE 00779	
2 PLC ± -		---	DRAWING NO C=321890	
3 PLC ± -		---	RESTRICTED TO	
4 PLC ± -		---	SCALE 10:1	
ANGLES ± -		---	SHEET 1 of 1	
MATERIAL NICKEL ASTM B-162 ANNEALED	FINISH SEE TABLE	WEIGHT -	REV F2	
CUSTOMER DRAWING				