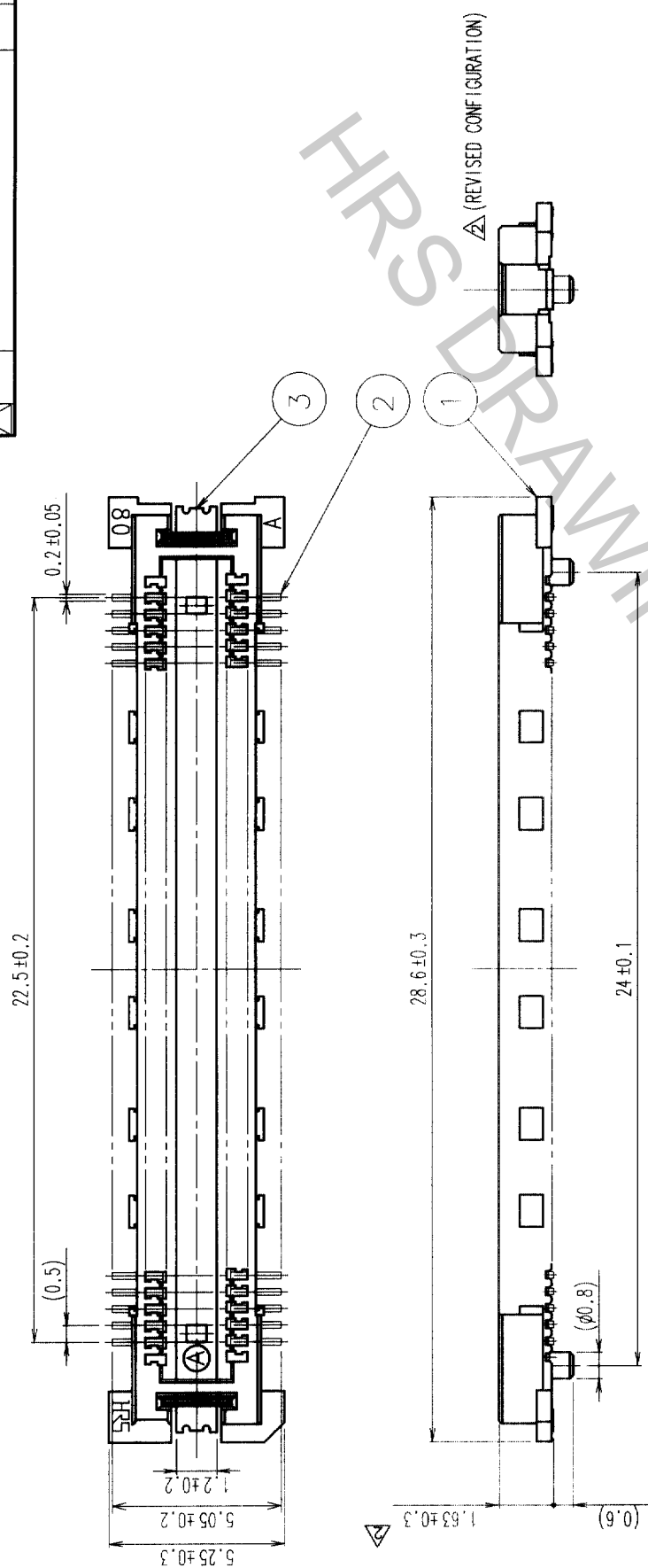
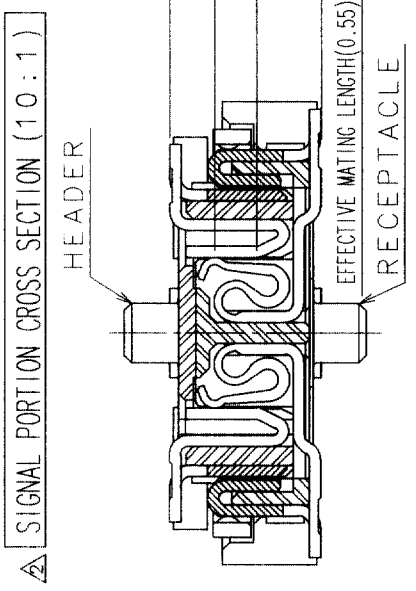
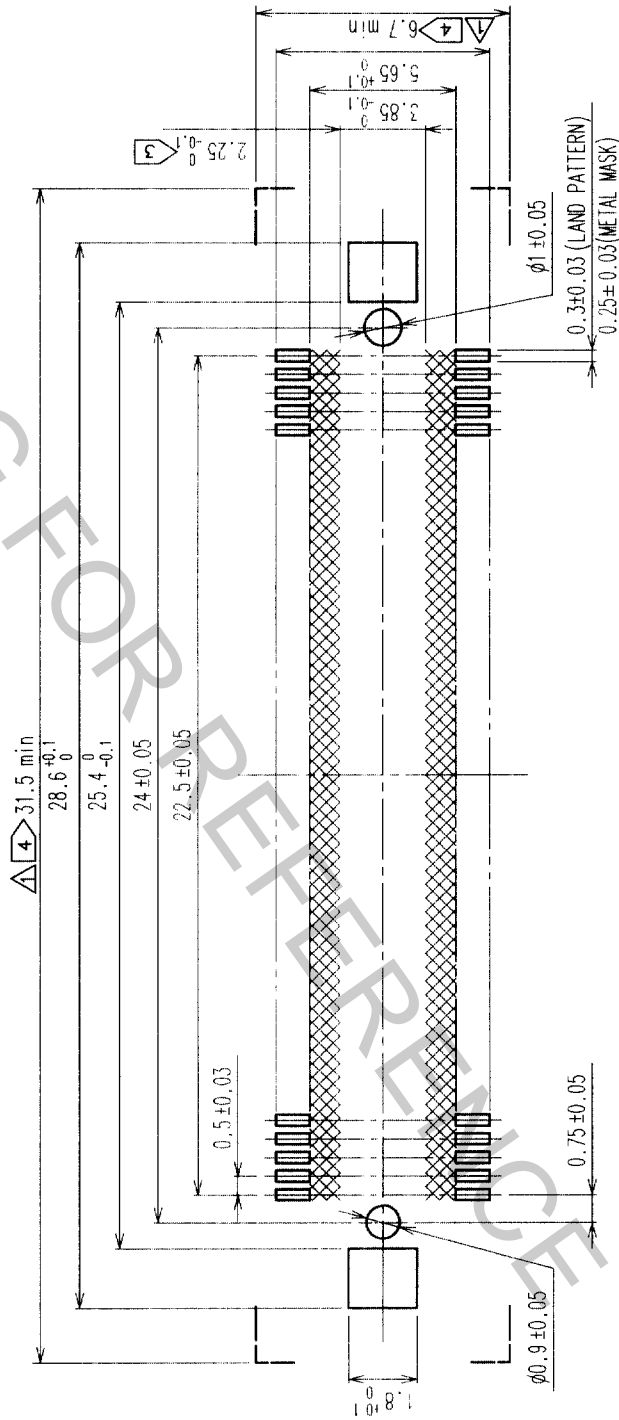


COUNT	DESCRIPTION OF REVISIONS	BY	CHKD	DATE	COUNT	DESCRIPTION OF REVISIONS	BY	CHKD	DATE
3	RE-F-06374	J.M.	M.	99.05.15					
3	RE-F-06522	J.M.	M.	99.9.7					



RECOMMENDED LAND PATTERN DIMENSION OF PCB



NO.	MATERIAL	FINISH, REMARKS	NO.	MATERIAL	FINISH, REMARKS
2	COPPER ALLOY	CONTACT AREA: GOLD (0.1μm) OVER NICKEL LEAD: GOLD FLASH OVER NICKEL			
1	LCP	BEIGE UL94V-0	3	PHOSPHOR BRONZE	TIN PLATED

CODE NO. (OLD)	CL	DRAWN	DESIGNED	CHECKED	APPROVED	RELEASED
		J. Matsukawa	J. Matsukawa	Y. Yoshimura	Y. Yoshimura	
		990212	990212	990212	990212	990212

DRAWING NO.	PART NO.
EDC3-152101	FX11LA-92P-SV

SCALE	UNITS	CODE NO.
5 : 1	mm	CL573-0043-4

NOTES
 1 SMT LEAD-COPLANARITY: 0.1 MAX.
 2 THIS PRODUCT HAS NO POLARITY TO PATTERN FOR MOUNTING.
 3 MAKE SURE WIDTH OF PATTERN IS WITHIN THAT OF LAND, OR LEAD MAY TOUCH PATTERN. (THIS APPLIES TO HATCHED AREA.)
 4 DO NOT MOUNT OTHER DEVICES ONTO [] AREA, OR MATING PAIR CANNOT BE MATED.

TO	
PCK	