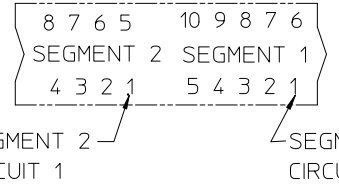


EDGE CARD LAYOUT:
TOLERANCE: ±0.05

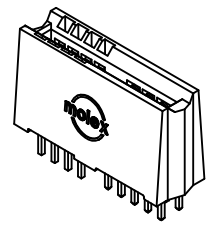
- NOTES:
- MATERIAL: HOUSING - LCP, UL94V-0, BLACK
MATERIAL: TERMINALS - COPPER ALLOY
 - FINISH: SELECT GOLD: 30 MI MIN IN CONTACT AREA
SELECT TIN: 150 MI MIN IN PC TAIL AREA
BOTH OVER NICKEL: 50 MI MIN
 - PRODUCT SPECIFICATION: PS-45719-001.
 - PACKAGING SPECIFICATION: ES-45714-001.
 - PCB THICKNESS: SEE CHART
 - EDGE CARD THICKNESS: 1.57±0.15
 - DIMENSIONS GIVEN ACROSS CENTERLINES ARE SYMMETRICAL ABOUT THOSE CENTERLINES WITHIN HALF THE TOTAL TOLERANCE.
 - 0.50 X 45°CHAMFER ON LEADING EDGE, TYP 4 SIDES.
 - PCB HOLE SIZE SPECIFICATION: SEE PS-45719-001

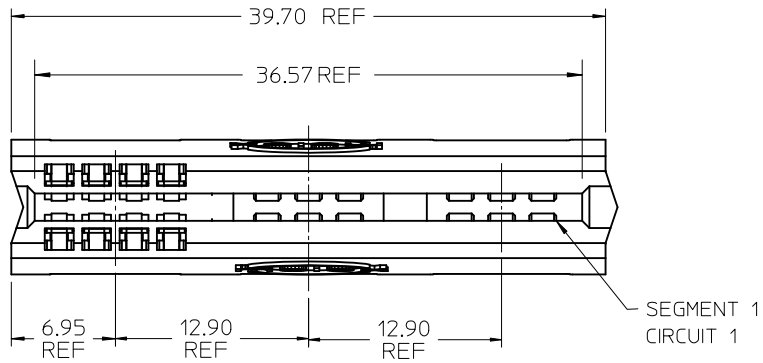


TOOLING STATUS	MATERIAL NUMBER	SEGMENT	SEGMENT	DIM		PCB THK
				P	T	
TOOLED	45911-0001	SIGNAL	POWER	4.50	3.18	3.18
TOOLED	45911-0002	POWER	SIGNAL	4.33	2.36	2.36
TOOLED	45911-0003	SIGNAL	POWER	3.19	1.57	1.57
TOOLED	45911-0004	POWER	SIGNAL	3.19	1.57	1.57
TOOLED	SEE 45844	SIGNAL	SIGNAL	---	---	---
TOOLED	SEE 45719	POWER	POWER	---	---	---

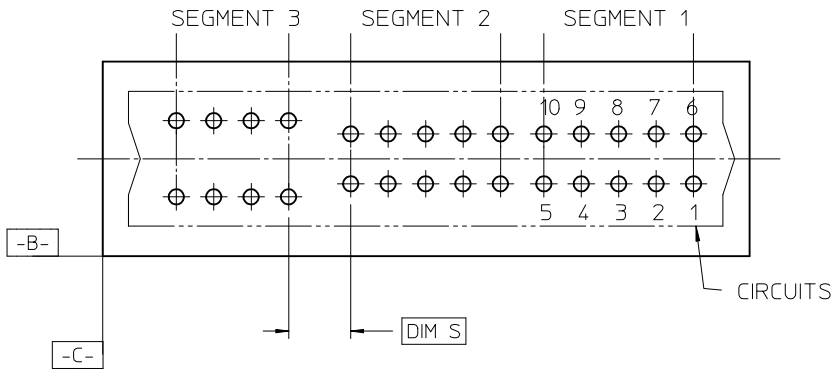
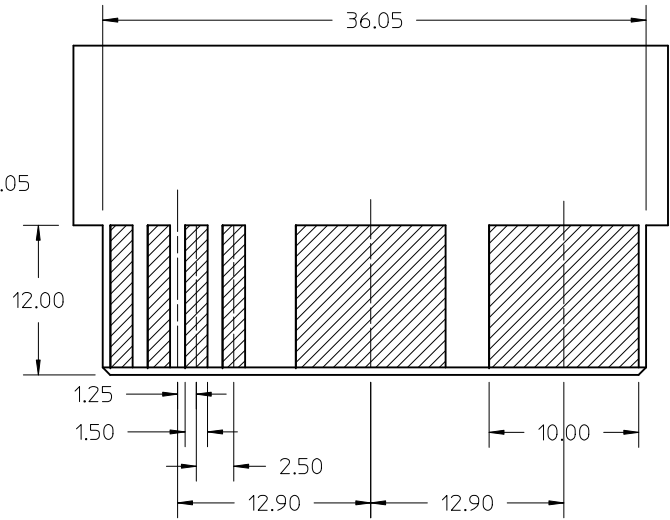
MOLEX P/N 45911-0001 SHOWN

ADD 5.6 SEGMENT PARTS EC NO: UCP2012-2806 DRWN: JSCHAFFER 2012/02/22 CHKD: APPR: APATEL 2012/06/01 DESCRIPTION	QUALITY SYMBOLS	GENERAL TOLERANCES (UNLESS SPECIFIED)		DIMENSION STYLE MM ONLY		SCALE 2:1	DESIGN UNITS METRIC	THIRD ANGLE PROJECTION		
		mm	INCH	DRAWN BY	DATE	TITLE				
		4 PLACES	± ---	± ---	SAMIEC	2005/04/14	POWER EDGE ASSEMBLY POWER / SIGNAL MIXED VERTICAL SOLDER TAIL			
		3 PLACES	± ---	± ---	CHECKED BY	DATE				
		2 PLACES	± 0.25	± ---	SAMIEC	2005/04/14	MOLEX INCORPORATED			
	1 PLACE	± 0.25	± ---	APPROVED BY	DATE					
		ANGULAR ±1/2°		MARGULIS	2005/04/14	MATERIAL NUMBER SEE CHART		DOCUMENT NO. SD-45911-001	SHEET NO. 1 OF 8	
		DRAFT WHERE APPLICABLE MUST REMAIN WITHIN DIMENSIONS			SIZE A	THIS DRAWING CONTAINS INFORMATION THAT IS PROPRIETARY TO MOLEX INCORPORATED AND SHOULD NOT BE USED WITHOUT WRITTEN PERMISSION				





RECOMMENDED
EDGE CARD
LAYOUT
TOLERANCE: ±0.05

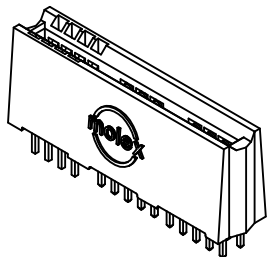


DIM S BETWEEN SIGNAL SEG AND SIGNAL SEG: 5.40
 DIM S BETWEEN POWER SEG AND POWER SEG: 2.90
 DIM S BETWEEN SIGNAL SEG AND POWER SEG: 4.15

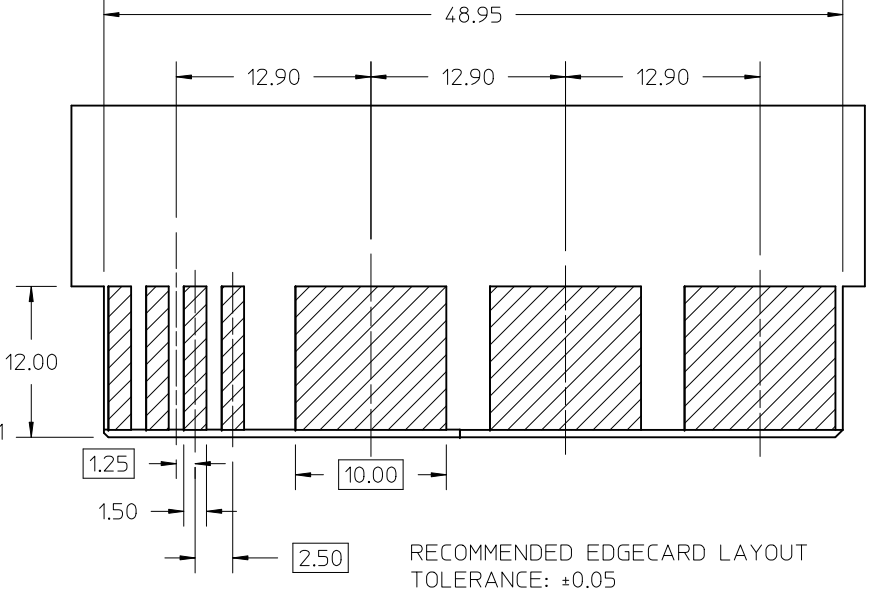
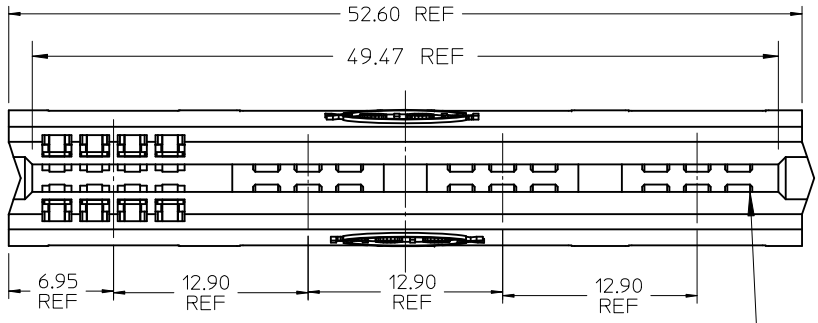
PCB LAYOUT: COMPONENT SIDE

MATERIAL NUMBER: 45911-0007 SHOWN
 SEE SHEET ONE FOR ALL OTHER NOTES AND DIMENSIONS

TOOLING STATUS	MATERIAL NUMBER	SEGMENT 3	SEGMENT 2	SEGMENT 1	DIM P / DIM T	PCB THK
TOOLED	45911-0007	SIGNAL	POWER	POWER	4.50 / 4.33	3.18
TOOLED	45911-0008	POWER	SIGNAL	POWER		
TOOLED	45911-0009	SIGNAL	SIGNAL	POWER		
TOOLED	45911-0010	SIGNAL	POWER	SIGNAL	3.19 / 3.19	2.36
TOOLED	45911-0011	POWER	SIGNAL	SIGNAL		
TOOLED	45911-0012	POWER	POWER	SIGNAL		
TOOLED	45911-0013	SIGNAL	POWER	POWER	3.19 / 3.19	1.57
TOOLED	45911-0014	POWER	SIGNAL	POWER		
TOOLED	45911-0015	SIGNAL	SIGNAL	POWER		
TOOLED	45911-0016	SIGNAL	POWER	SIGNAL	3.19 / 3.19	1.57
TOOLED	45911-0017	POWER	SIGNAL	SIGNAL		
TOOLED	45911-0018	POWER	POWER	SIGNAL		



EC NO: UCP2012-2806 DRWN: JSCHAFFER 2012/02/22 CHKD: APPR: APATEL 2012/06/01 DESCRIPTION REV J	QUALITY SYMBOLS	GENERAL TOLERANCES (UNLESS SPECIFIED)		DIMENSION STYLE MM ONLY		SCALE 1:1	DESIGN UNITS METRIC	THIRD ANGLE PROJECTION	
		mm	INCH	DRAWN BY SAMIEC	DATE 2005/04/14	TITLE POWER EDGE ASSEMBLY POWER / SIGNAL MIXED VERTICAL SOLDER TAIL			
	4 PLACES	± ---	± ---	CHECKED BY	DATE				
		mm	INCH	2 PLACES	± 0.25	± ---	MOLEX INCORPORATED		
		mm	INCH	1 PLACE	± 0.25	± ---			
	ANGULAR ±1/2°		APPROVED BY MARGULIS		DATE 2005/04/14	DOCUMENT NO. SD-45911-001		SHEET NO. 2 OF 8	
DRAFT WHERE APPLICABLE MUST REMAIN WITHIN DIMENSIONS		SIZE A		THIS DRAWING CONTAINS INFORMATION THAT IS PROPRIETARY TO MOLEX INCORPORATED AND SHOULD NOT BE USED WITHOUT WRITTEN PERMISSION					



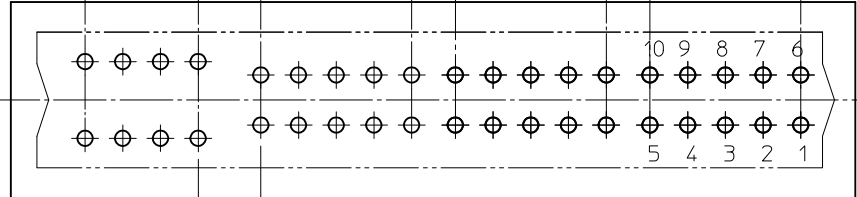
SEGMENT 1
CIRCUIT 1

RECOMMENDED EDGE CARD LAYOUT
TOLERANCE: ±0.05

SEE CHART ON SHEET 4
FOR MATERIAL NUMBERS

PART NUMBER 45911-0025
SHOWN FOR REFERENCE

SEGMENT 4 SEGMENT 3 SEGMENT 2 SEGMENT 1

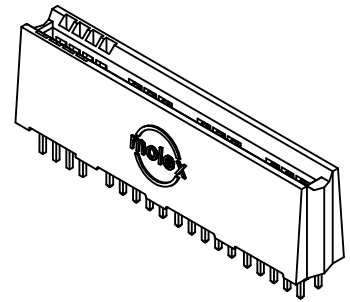


-B-

DIM S

DIM S BETWEEN SIGNAL SEG AND SIGNAL SEG: 5.40
DIM S BETWEEN POWER SEG AND POWER SEG: 2.90
DIM S BETWEEN SIGNAL SEG AND POWER SEG: 4.15

PCB LAYOUT: COMPONENT SIDE



EC NO: UCP2012-2806 DRWN: JSCHAFFER 2012/02/22 CHKD: APPR: APATEL 2012/06/01 DESCRIPTION REV	QUALITY SYMBOLS	GENERAL TOLERANCES (UNLESS SPECIFIED)		DIMENSION STYLE MM ONLY		SCALE 2:1	DESIGN UNITS METRIC	THIRD ANGLE PROJECTION		
			mm	INCH	DRAWN BY SAMIEC	DATE 2005/04/14	TITLE POWER EDGE ASSEMBLY POWER / SIGNAL MIXED VERTICAL SOLDER TAIL			
		4 PLACES ± ---	± ---	± ---	CHECKED BY SAMIEC	DATE 2005/04/14				
			2 PLACES ± 0.25	± ---	± ---	APPROVED BY MARGULIS	DATE 2005/04/14	MOLEX INCORPORATED DOCUMENT NO. SD-45911-001 SHEET NO. 3		
			1 PLACE ± 0.25	± ---	± ---	MATERIAL NUMBER SEE CHART ON SHEET 4				
		ANGULAR ±1/2°		SIZE A		THIS DRAWING CONTAINS INFORMATION THAT IS PROPRIETARY TO MOLEX INCORPORATED AND SHOULD NOT BE USED WITHOUT WRITTEN PERMISSION				
DRAFT WHERE APPLICABLE MUST REMAIN WITHIN DIMENSIONS										

TOOLING STATUS	MATERIAL NUMBER	SEGMENT 4	SEGMENT 3	SEGMENT 2	SEGMENT 1	4	
						DIM P DIM T	PCB THK
TOOLED	45911-0025	SIGNAL	POWER	POWER	POWER	4.50 4.33	3.18 2.36
TOOLED	45911-0026	POWER	SIGNAL	POWER	POWER		
TOOLED	45911-0027	SIGNAL	SIGNAL	POWER	POWER		
TOOLED	45911-0028	SIGNAL	POWER	SIGNAL	POWER		
TOOLED	45911-0029	POWER	SIGNAL	SIGNAL	POWER		
TOOLED	45911-0030	POWER	POWER	SIGNAL	POWER		
TOOLED	45911-0031	SIGNAL	SIGNAL	SIGNAL	POWER		
TOOLED	45911-0032	SIGNAL	POWER	POWER	SIGNAL		
TOOLED	45911-0033	POWER	SIGNAL	POWER	SIGNAL		
TOOLED	45911-0034	SIGNAL	SIGNAL	POWER	SIGNAL		
TOOLED	45911-0035	SIGNAL	POWER	SIGNAL	SIGNAL		
TOOLED	45911-0036	POWER	SIGNAL	SIGNAL	SIGNAL		
TOOLED	45911-0037	POWER	POWER	SIGNAL	SIGNAL		
TOOLED	45911-0038	POWER	POWER	POWER	SIGNAL		

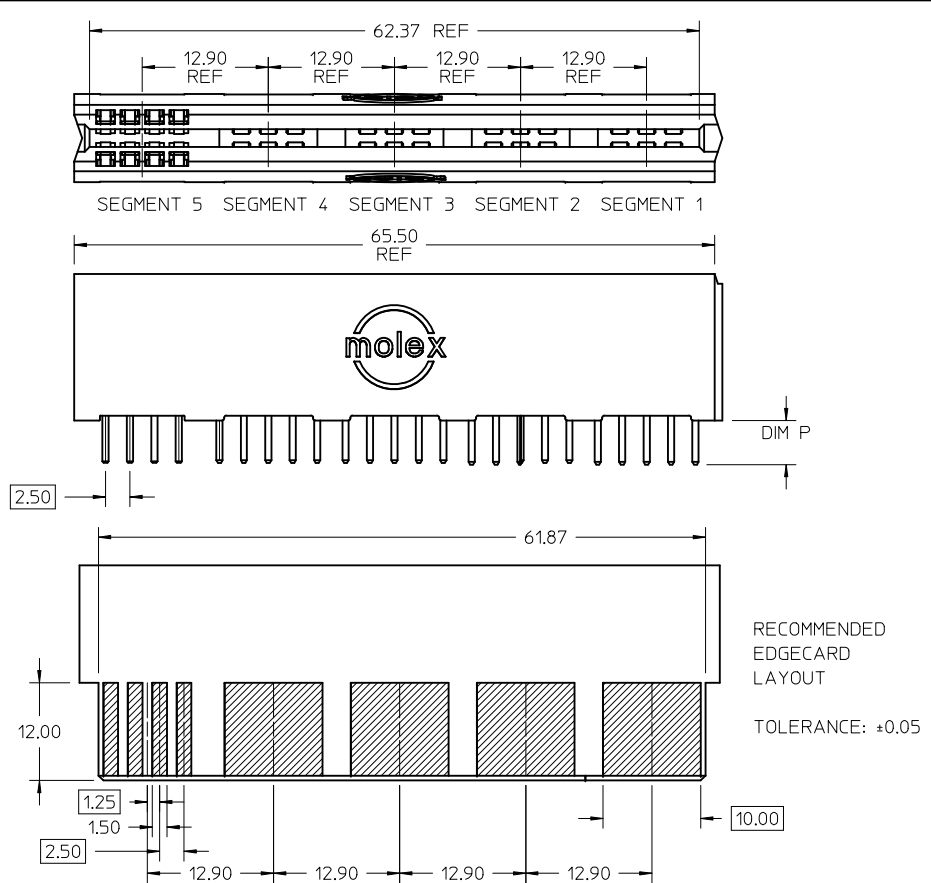
TOOLING STATUS	MATERIAL NUMBER	SEGMENT 4	SEGMENT 3	SEGMENT 2	SEGMENT 1	3	
						DIM P DIM T	PCB THK
TOOLED	45911-0039	SIGNAL	POWER	POWER	POWER	3.19 3.19	1.57
TOOLED	45911-0040	POWER	SIGNAL	POWER	POWER		
TOOLED	45911-0041	SIGNAL	SIGNAL	POWER	POWER		
TOOLED	45911-0042	SIGNAL	POWER	SIGNAL	POWER		
TOOLED	45911-0043	POWER	SIGNAL	SIGNAL	POWER		
TOOLED	45911-0044	POWER	POWER	SIGNAL	POWER		
TOOLED	45911-0045	SIGNAL	SIGNAL	SIGNAL	POWER		
TOOLED	45911-0046	SIGNAL	POWER	POWER	SIGNAL		
TOOLED	45911-0047	POWER	SIGNAL	POWER	SIGNAL		
TOOLED	45911-0048	SIGNAL	SIGNAL	POWER	SIGNAL		
TOOLED	45911-0049	SIGNAL	POWER	SIGNAL	SIGNAL		
TOOLED	45911-0050	POWER	SIGNAL	SIGNAL	SIGNAL		
TOOLED	45911-0051	POWER	POWER	SIGNAL	SIGNAL		
TOOLED	45911-0052	POWER	POWER	POWER	SIGNAL		



EC NO: UCP2012-2806 DRWN: JSCHAFFER CHKD: APPR: APATEL 2012/06/01 DESCRIPTION REV	GENERAL TOLERANCES (UNLESS SPECIFIED)		DIMENSION STYLE MM ONLY		SCALE 1:1	DESIGN UNITS METRIC	THIRD ANGLE PROJECTION	
		mm	INCH	DRAWN BY SAMIEC	DATE 2005/04/14	TITLE POWER EDGE ASSEMBLY POWER / SIGNAL MIXED VERTICAL SOLDER TAIL		
	4 PLACES	± ---	± ---	CHECKED BY SAMIEC	DATE 2005/04/14			
	3 PLACES	± ---	± ---					
	2 PLACES	± 0.25	± ---					
	1 PLACE	± 0.25	± ---	MARGULIS	2005/04/14	MOLEX INCORPORATED		
ANGULAR ±1/2°			MATERIAL NO. SEE CHART		DOCUMENT NO. SD-45911-001		SHEET NO. 4 OF 8	
DRAFT WHERE APPLICABLE MUST REMAIN WITHIN DIMENSIONS			THIS DRAWING CONTAINS INFORMATION THAT IS PROPRIETARY TO MOLEX INCORPORATED AND SHOULD NOT BE USED WITHOUT WRITTEN PERMISSION					

	10	9	8	7	6	5	4	3	2	1
	TOOLING STATUS	MATERIAL NUMBER	SEG 5 TERMINAL	SEG 4 TERMINAL	SEG 3 TERMINAL	SEG 2 TERMINAL	SEG 1 TERMINAL			
F	NOT TOOLED	45911-0055	POWER	SIGNAL	SIGNAL	SIGNAL	SIGNAL			
	NOT TOOLED	45911-0056	SIGNAL	SIGNAL	POWER	POWER	POWER			
	NOT TOOLED	45911-0057	POWER	POWER	SIGNAL	POWER	POWER			
	NOT TOOLED	45911-0058	SIGNAL	SIGNAL	SIGNAL	POWER	POWER			
	NOT TOOLED	45911-0059	SIGNAL	SIGNAL	POWER	SIGNAL	POWER			
E	NOT TOOLED	45911-0060	POWER	POWER	SIGNAL	SIGNAL	POWER			
	NOT TOOLED	45911-0061	POWER	POWER	POWER	SIGNAL	POWER			
	NOT TOOLED	45911-0062	SIGNAL	SIGNAL	SIGNAL	SIGNAL	POWER			
	NOT TOOLED	45911-0063	SIGNAL	SIGNAL	POWER	POWER	SIGNAL			
	NOT TOOLED	45911-0064	POWER	POWER	SIGNAL	POWER	SIGNAL			
	NOT TOOLED	45911-0065	SIGNAL	SIGNAL	SIGNAL	POWER	SIGNAL			
	NOT TOOLED	45911-0066	SIGNAL	SIGNAL	POWER	SIGNAL	SIGNAL			
D	NOT TOOLED	45911-0067	POWER	POWER	SIGNAL	SIGNAL	SIGNAL			
	NOT TOOLED	45911-0068	POWER	POWER	POWER	SIGNAL	SIGNAL			
	NOT TOOLED	45911-0069	POWER	POWER	POWER	POWER	SIGNAL			
	NOT TOOLED	45911-0070	POWER	POWER	POWER	SIGNAL	POWER			
	NOT TOOLED	45911-0071	POWER	POWER	SIGNAL	POWER	POWER			
C	NOT TOOLED	45911-0072	POWER	SIGNAL	SIGNAL	SIGNAL	POWER			
	NOT TOOLED	45911-0073	POWER	SIGNAL	POWER	SIGNAL	SIGNAL			
	NOT TOOLED	45911-0074	POWER	SIGNAL	POWER	POWER	POWER			
	NOT TOOLED	45911-0075	POWER	SIGNAL	POWER	SIGNAL	POWER			
	NOT TOOLED	45911-0076	POWER	POWER	POWER	SIGNAL	POWER			
B	NOT TOOLED	45911-0077	SIGNAL	POWER	SIGNAL	POWER	SIGNAL			
	NOT TOOLED	45911-0078	SIGNAL	POWER	POWER	POWER	POWER			
	NOT TOOLED	45911-0079	SIGNAL	POWER	POWER	POWER	SIGNAL			
	NOT TOOLED	45911-0080	SIGNAL	POWER	SIGNAL	SIGNAL	SIGNAL			
	NOT TOOLED	45911-0081	SIGNAL	SIGNAL	SIGNAL	SIGNAL	POWER			
	NOT TOOLED	45911-0082	SIGNAL	POWER	POWER	SIGNAL	SIGNAL			
A	NOT TOOLED	45911-0083	POWER	SIGNAL	SIGNAL	POWER	SIGNAL			

DIM P/THK
4.33
PCB THK
3.18
OR
2.36

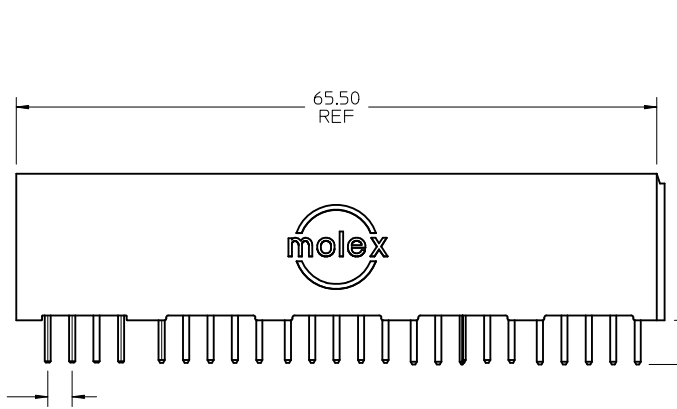
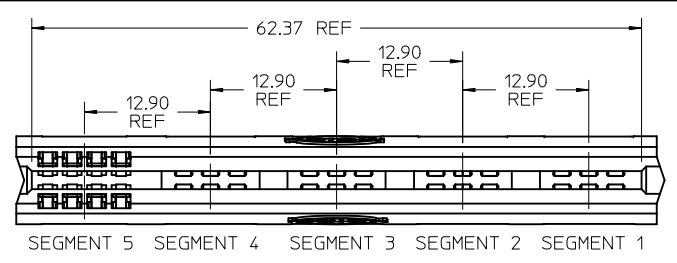


FIVE-SEGMENT PARTS
PART NUMBER 45911-0079
SHOWN FOR REFERENCE

ENTER DESCRIPTION EC NO: UCP2012-2806 DRWN: JSCHAFFER 2012/02/22 CHKD: APPR: APATEL 2012/06/01 REV	QUALITY SYMBOLS	GENERAL TOLERANCES (UNLESS SPECIFIED)	DIMENSION STYLE MM ONLY	SCALE 2:1	DESIGN UNITS METRIC	THIRD ANGLE PROJECTION
	▽=0	4 PLACES ± --- ± ---	DRAWN BY DATE SAMIEC 2005/04/14	TITLE	POWER EDGE ASSEMBLY POWER / SIGNAL MIXED VERTICAL SOLDER TAIL	
	▽=0	3 PLACES ± --- ± ---	CHECKED BY DATE SAMIEC 2005/04/14	MOLEX INCORPORATED		
	▽=0	2 PLACES ± 0.25 ± ---	APPROVED BY DATE MARGULIS 2005/04/14			
		1 PLACE ± 0.25 ± ---	MATERIAL NO.	DOCUMENT NO.	SD-45911-001	SHEET NO. 5 OF 8
DRAFT WHERE APPLICABLE MUST REMAIN WITHIN DIMENSIONS		SEE CHART		THIS DRAWING CONTAINS INFORMATION THAT IS PROPRIETARY TO MOLEX INCORPORATED AND SHOULD NOT BE USED WITHOUT WRITTEN PERMISSION		

	10	9	8	7	6	5	4	3	2	1
	TOOLING STATUS	MATERIAL NUMBER	SEG 5 TERMINAL	SEG 4 TERMINAL	SEG 3 TERMINAL	SEG 2 TERMINAL	SEG 1 TERMINAL			
F	NOT TOOLED	45911-0085	POWER	SIGNAL	SIGNAL	SIGNAL	SIGNAL			
	NOT TOOLED	45911-0086	SIGNAL	SIGNAL	POWER	POWER	POWER			
	NOT TOOLED	45911-0087	POWER	POWER	SIGNAL	POWER	POWER			
	NOT TOOLED	45911-0088	SIGNAL	SIGNAL	SIGNAL	POWER	POWER			
	NOT TOOLED	45911-0089	SIGNAL	SIGNAL	POWER	SIGNAL	POWER			
	NOT TOOLED	45911-0090	POWER	POWER	SIGNAL	SIGNAL	POWER			
E	NOT TOOLED	45911-0091	POWER	POWER	POWER	SIGNAL	POWER			
	NOT TOOLED	45911-0092	SIGNAL	SIGNAL	SIGNAL	SIGNAL	POWER			
	NOT TOOLED	45911-0093	SIGNAL	SIGNAL	POWER	POWER	SIGNAL			
	NOT TOOLED	45911-0094	POWER	POWER	SIGNAL	POWER	SIGNAL			
	NOT TOOLED	45911-0095	SIGNAL	SIGNAL	SIGNAL	POWER	SIGNAL			
	NOT TOOLED	45911-0096	SIGNAL	SIGNAL	POWER	SIGNAL	SIGNAL			
D	NOT TOOLED	45911-0097	POWER	POWER	SIGNAL	SIGNAL	SIGNAL			
	NOT TOOLED	45911-0098	POWER	POWER	POWER	SIGNAL	SIGNAL			
	NOT TOOLED	45911-0099	POWER	POWER	POWER	POWER	SIGNAL			
	NOT TOOLED	45911-0100	POWER	POWER	POWER	SIGNAL	POWER			
	NOT TOOLED	45911-0101	POWER	POWER	SIGNAL	POWER	POWER			
	NOT TOOLED	45911-0102	POWER	SIGNAL	SIGNAL	SIGNAL	POWER			
C	NOT TOOLED	45911-0103	POWER	SIGNAL	POWER	SIGNAL	SIGNAL			
	NOT TOOLED	45911-0104	POWER	SIGNAL	POWER	POWER	POWER			
	NOT TOOLED	45911-0105	POWER	SIGNAL	POWER	SIGNAL	POWER			
	NOT TOOLED	45911-0106	POWER	POWER	POWER	SIGNAL	POWER			
	NOT TOOLED	45911-0107	SIGNAL	POWER	SIGNAL	POWER	SIGNAL			
B	NOT TOOLED	45911-0108	SIGNAL	POWER	POWER	POWER	POWER			
	NOT TOOLED	45911-0109	SIGNAL	POWER	POWER	POWER	SIGNAL			
	NOT TOOLED	45911-0110	SIGNAL	POWER	SIGNAL	SIGNAL	SIGNAL			
	NOT TOOLED	45911-0111	SIGNAL	SIGNAL	SIGNAL	SIGNAL	POWER			
	NOT TOOLED	45911-0112	SIGNAL	POWER	POWER	SIGNAL	SIGNAL			
A	NOT TOOLED	45911-0113	POWER	SIGNAL	SIGNAL	POWER	SIGNAL			

DIM P/T
PCB THK
DIM T
DIM P
3.19
PCB THK
1.57



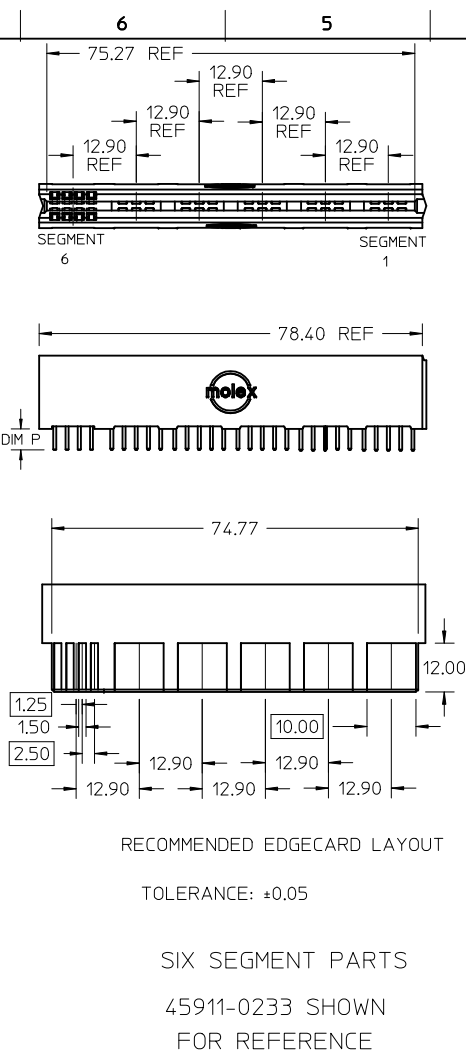
FIVE-SEGMENT PARTS

PART NUMBER 45911-0178
SHOWN FOR REFERENCE

SEE SHT 5 FOR EDGE CARD INFORMATION

ENTER DESCRIPTION EC NO: UCP2012-2888/06/01 DRWN: JSCHAFER 2012/02/22 CHKD: APPR: APATEL 2012/06/01 DESCRIPTION	QUALITY SYMBOLS	GENERAL TOLERANCES (UNLESS SPECIFIED)	DIMENSION STYLE MM ONLY	SCALE 1.5:1	DESIGN UNITS METRIC	THIRD ANGLE PROJECTION
	▽=0	mm INCH	DRAWN BY DATE SAMIEC 2005/04/14	TITLE	POWER EDGE ASSEMBLY POWER / SIGNAL MIXED VERTICAL SOLDER TAIL	
	▽=0	4 PLACES ± --- ± --- 3 PLACES ± --- ± --- 2 PLACES ± 0.25 ± --- 1 PLACE ± 0.25 ± ---	CHECKED BY DATE SAMIEC 2005/04/14			
	▽=0	ANGULAR ±1/2°	APPROVED BY DATE MARGULIS 2005/04/14	MATERIAL NO.	DOCUMENT NO.	MOLEX INCORPORATED
	DRAFT WHERE APPLICABLE MUST REMAIN WITHIN DIMENSIONS	SEE CHART	SIZE B	SD-45911-001		SHEET NO. 6 OF 8

	10	9	8	7				
	TOOLING STATUS	MATERIAL NUMBER	SEG 6 TERMINAL	SEG 5 TERMINAL	SEG 4 TERMINAL	SEG 3 TERMINAL	SEG 2 TERMINAL	SEG 1 TERMINAL
F	NOT TOOLED	45911-0115	POWER	SIGNAL	SIGNAL	SIGNAL	SIGNAL	SIGNAL
	NOT TOOLED	45911-0116	SIGNAL	POWER	SIGNAL	SIGNAL	SIGNAL	SIGNAL
	NOT TOOLED	45911-0117	SIGNAL	SIGNAL	POWER	SIGNAL	SIGNAL	SIGNAL
	NOT TOOLED	45911-0118	SIGNAL	SIGNAL	SIGNAL	POWER	SIGNAL	SIGNAL
	NOT TOOLED	45911-0119	SIGNAL	SIGNAL	SIGNAL	SIGNAL	POWER	SIGNAL
	NOT TOOLED	45911-0120	SIGNAL	SIGNAL	SIGNAL	SIGNAL	SIGNAL	POWER
	NOT TOOLED	45911-0121	POWER	POWER	SIGNAL	SIGNAL	SIGNAL	SIGNAL
	NOT TOOLED	45911-0122	POWER	SIGNAL	POWER	SIGNAL	SIGNAL	SIGNAL
E	NOT TOOLED	45911-0123	POWER	SIGNAL	SIGNAL	POWER	SIGNAL	SIGNAL
	NOT TOOLED	45911-0124	POWER	SIGNAL	SIGNAL	SIGNAL	POWER	SIGNAL
	NOT TOOLED	45911-0125	POWER	SIGNAL	SIGNAL	SIGNAL	SIGNAL	POWER
	NOT TOOLED	45911-0126	SIGNAL	POWER	POWER	SIGNAL	SIGNAL	SIGNAL
	NOT TOOLED	45911-0127	SIGNAL	POWER	SIGNAL	POWER	SIGNAL	SIGNAL
	NOT TOOLED	45911-0128	SIGNAL	POWER	SIGNAL	SIGNAL	POWER	SIGNAL
	NOT TOOLED	45911-0129	SIGNAL	POWER	SIGNAL	SIGNAL	SIGNAL	POWER
D	NOT TOOLED	45911-0130	SIGNAL	SIGNAL	POWER	POWER	SIGNAL	SIGNAL
	NOT TOOLED	45911-0131	SIGNAL	SIGNAL	POWER	SIGNAL	POWER	SIGNAL
	NOT TOOLED	45911-0132	SIGNAL	SIGNAL	POWER	SIGNAL	SIGNAL	POWER
	NOT TOOLED	45911-0133	SIGNAL	POWER	POWER	SIGNAL	SIGNAL	SIGNAL
	NOT TOOLED	45911-0134	SIGNAL	SIGNAL	SIGNAL	POWER	POWER	SIGNAL
C	NOT TOOLED	45911-0135	SIGNAL	SIGNAL	SIGNAL	SIGNAL	POWER	POWER
	NOT TOOLED	45911-0136	SIGNAL	SIGNAL	SIGNAL	POWER	SIGNAL	POWER
	NOT TOOLED	45911-0137	POWER	POWER	POWER	SIGNAL	SIGNAL	SIGNAL
	NOT TOOLED	45911-0138	SIGNAL	POWER	POWER	POWER	SIGNAL	SIGNAL
	NOT TOOLED	45911-0139	SIGNAL	SIGNAL	POWER	POWER	POWER	SIGNAL
	NOT TOOLED	45911-0140	SIGNAL	SIGNAL	SIGNAL	POWER	POWER	POWER
B	NOT TOOLED	45911-0141	POWER	POWER	SIGNAL	POWER	SIGNAL	SIGNAL
	NOT TOOLED	45911-0142	POWER	POWER	SIGNAL	SIGNAL	POWER	SIGNAL



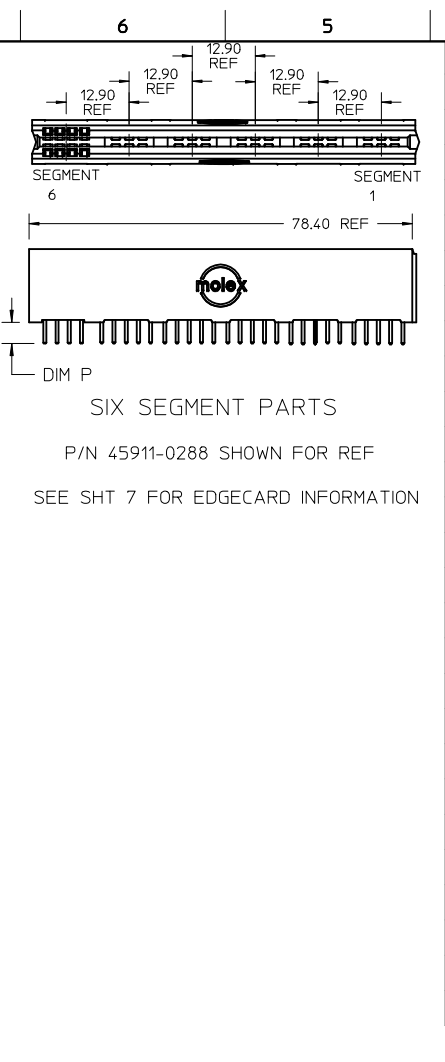
	4	3	2	1				
	TOOLING STATUS	MATERIAL NUMBER	SEG 6 TERMINAL	SEG 5 TERMINAL	SEG 4 TERMINAL	SEG 3 TERMINAL	SEG 2 TERMINAL	SEG 1 TERMINAL
F	NOT TOOLED	45911-0143	POWER	POWER	SIGNAL	SIGNAL	SIGNAL	POWER
	NOT TOOLED	45911-0144	SIGNAL	POWER	POWER	SIGNAL	POWER	SIGNAL
	NOT TOOLED	45911-0145	SIGNAL	POWER	POWER	SIGNAL	SIGNAL	POWER
	NOT TOOLED	45911-0146	SIGNAL	SIGNAL	POWER	POWER	SIGNAL	POWER
	NOT TOOLED	45911-0147	POWER	SIGNAL	POWER	POWER	SIGNAL	SIGNAL
	NOT TOOLED	45911-0148	POWER	SIGNAL	SIGNAL	POWER	POWER	SIGNAL
	NOT TOOLED	45911-0149	SIGNAL	POWER	SIGNAL	POWER	POWER	SIGNAL
	NOT TOOLED	45911-0150	POWER	SIGNAL	SIGNAL	SIGNAL	POWER	POWER
	NOT TOOLED	45911-0151	SIGNAL	POWER	SIGNAL	SIGNAL	POWER	POWER
	NOT TOOLED	45911-0152	SIGNAL	SIGNAL	POWER	SIGNAL	POWER	POWER
	NOT TOOLED	45911-0153	POWER	POWER	POWER	POWER	SIGNAL	SIGNAL
	NOT TOOLED	45911-0154	SIGNAL	POWER	POWER	POWER	POWER	SIGNAL
	NOT TOOLED	45911-0155	SIGNAL	SIGNAL	SIGNAL	POWER	POWER	POWER
	NOT TOOLED	45911-0156	POWER	POWER	POWER	SIGNAL	POWER	SIGNAL
D	NOT TOOLED	45911-0157	POWER	POWER	POWER	POWER	SIGNAL	POWER
	NOT TOOLED	45911-0158	POWER	POWER	SIGNAL	POWER	SIGNAL	POWER
	NOT TOOLED	45911-0159	POWER	POWER	SIGNAL	POWER	SIGNAL	POWER
	NOT TOOLED	45911-0160	POWER	POWER	SIGNAL	SIGNAL	POWER	POWER
	NOT TOOLED	45911-0161	POWER	SIGNAL	POWER	POWER	POWER	SIGNAL
	NOT TOOLED	45911-0162	POWER	SIGNAL	SIGNAL	POWER	POWER	POWER
	NOT TOOLED	45911-0163	POWER	SIGNAL	POWER	POWER	SIGNAL	POWER
	NOT TOOLED	45911-0164	POWER	POWER	SIGNAL	POWER	POWER	SIGNAL
	NOT TOOLED	45911-0165	POWER	SIGNAL	SIGNAL	POWER	POWER	POWER
	NOT TOOLED	45911-0166	POWER	POWER	POWER	SIGNAL	POWER	POWER
	NOT TOOLED	45911-0167	POWER	POWER	POWER	POWER	SIGNAL	POWER
	NOT TOOLED	45911-0168	POWER	POWER	POWER	POWER	POWER	SIGNAL
	NOT TOOLED	45911-0169	SIGNAL	POWER	POWER	POWER	POWER	POWER

A	ENTER DESCRIPTION	EC NO: UCP2012-2806	2012/02/22
		DRWN: JSCHAFFER	2012/02/22
		CHKD: APATEL	2012/06/01
		APPR: APATEL	2012/06/01

J	QUALITY SYMBOLS	GENERAL TOLERANCES (UNLESS SPECIFIED)
	$\nabla Z=0$	mm INCH
	$\nabla Y=0$	4 PLACES ± --- ± ---
	$\nabla X=0$	3 PLACES ± --- ± ---
		2 PLACES ± 0.25 ± ---
		1 PLACE ± 0.25 ± ---
		ANGULAR ± 1/2°
		DRAFT WHERE APPLICABLE MUST REMAIN WITHIN DIMENSIONS

DIMENSION STYLE		SCALE	DESIGN UNITS	THIRD ANGLE PROJECTION
MM ONLY		1:1	METRIC	
DRAWN BY	DATE	POWER EDGE ASSEMBLY POWER / SIGNAL MIXED VERTICAL SOLDER TAIL MOLEX INCORPORATED		
CHECKED BY	DATE			
APPROVED BY	DATE			
MATERIAL NO.	DOCUMENT NO.	SD-45911-001		SHEET NO.
SIZE	THIS DRAWING CONTAINS INFORMATION THAT IS PROPRIETARY TO MOLEX INCORPORATED AND SHOULD NOT BE USED WITHOUT WRITTEN PERMISSION			7 OF 8

	10	9	8	7	6	5	4	3	2	1	
	TOOLING STATUS	MATERIAL NUMBER	SEG 6 TERMINAL	SEG 5 TERMINAL	SEG 4 TERMINAL	SEG 3 TERMINAL	SEG 2 TERMINAL	SEG 1 TERMINAL	DIM T	DIM P	PCB THK
F	NOT TOOLED	45911-0170	POWER	SIGNAL	SIGNAL	SIGNAL	SIGNAL	SIGNAL			
F	NOT TOOLED	45911-0171	SIGNAL	POWER	SIGNAL	SIGNAL	SIGNAL	SIGNAL			
F	NOT TOOLED	45911-0172	SIGNAL	SIGNAL	POWER	SIGNAL	SIGNAL	SIGNAL			
F	NOT TOOLED	45911-0173	SIGNAL	SIGNAL	SIGNAL	POWER	SIGNAL	SIGNAL			
F	NOT TOOLED	45911-0174	SIGNAL	SIGNAL	SIGNAL	SIGNAL	POWER	SIGNAL			
F	NOT TOOLED	45911-0175	SIGNAL	SIGNAL	SIGNAL	SIGNAL	SIGNAL	POWER			
F	NOT TOOLED	45911-0176	POWER	POWER	SIGNAL	SIGNAL	SIGNAL	SIGNAL			
F	NOT TOOLED	45911-0177	POWER	SIGNAL	POWER	SIGNAL	SIGNAL	SIGNAL			
F	NOT TOOLED	45911-0178	POWER	SIGNAL	SIGNAL	POWER	SIGNAL	SIGNAL			
F	NOT TOOLED	45911-0179	POWER	SIGNAL	SIGNAL	SIGNAL	POWER	SIGNAL			
F	NOT TOOLED	45911-0180	POWER	SIGNAL	SIGNAL	SIGNAL	SIGNAL	POWER			
F	NOT TOOLED	45911-0181	SIGNAL	POWER	POWER	SIGNAL	SIGNAL	SIGNAL			
F	NOT TOOLED	45911-0182	SIGNAL	POWER	SIGNAL	POWER	SIGNAL	SIGNAL			
F	NOT TOOLED	45911-0183	SIGNAL	POWER	SIGNAL	SIGNAL	POWER	SIGNAL			
F	NOT TOOLED	45911-0184	SIGNAL	POWER	SIGNAL	SIGNAL	SIGNAL	POWER			
F	NOT TOOLED	45911-0185	SIGNAL	SIGNAL	POWER	POWER	SIGNAL	SIGNAL			
F	NOT TOOLED	45911-0186	SIGNAL	SIGNAL	POWER	SIGNAL	POWER	SIGNAL			
F	NOT TOOLED	45911-0187	SIGNAL	SIGNAL	POWER	SIGNAL	SIGNAL	POWER			
F	NOT TOOLED	45911-0188	SIGNAL	POWER	POWER	SIGNAL	SIGNAL	SIGNAL			
F	NOT TOOLED	45911-0189	SIGNAL	SIGNAL	SIGNAL	POWER	POWER	SIGNAL			
F	NOT TOOLED	45911-0190	SIGNAL	SIGNAL	SIGNAL	SIGNAL	POWER	POWER			
F	NOT TOOLED	45911-0191	SIGNAL	SIGNAL	SIGNAL	POWER	SIGNAL	POWER			
F	NOT TOOLED	45911-0192	POWER	POWER	POWER	SIGNAL	SIGNAL	SIGNAL			
F	NOT TOOLED	45911-0193	SIGNAL	POWER	POWER	POWER	SIGNAL	SIGNAL			
F	NOT TOOLED	45911-0194	SIGNAL	SIGNAL	POWER	POWER	POWER	SIGNAL			
F	NOT TOOLED	45911-0195	SIGNAL	SIGNAL	SIGNAL	POWER	POWER	POWER			
F	NOT TOOLED	45911-0196	POWER	POWER	SIGNAL	POWER	SIGNAL	SIGNAL			
F	NOT TOOLED	45911-0197	POWER	POWER	SIGNAL	SIGNAL	POWER	SIGNAL			



	TOOLING STATUS	MATERIAL NUMBER	SEG 6 TERMINAL	SEG 5 TERMINAL	SEG 4 TERMINAL	SEG 3 TERMINAL	SEG 2 TERMINAL	SEG 1 TERMINAL	DIM T	DIM P	PCB THK
F	NOT TOOLED	45911-0198	POWER	POWER	SIGNAL	SIGNAL	SIGNAL	POWER			
F	NOT TOOLED	45911-0199	SIGNAL	POWER	POWER	SIGNAL	POWER	SIGNAL			
F	NOT TOOLED	45911-0200	SIGNAL	POWER	POWER	SIGNAL	SIGNAL	POWER			
F	NOT TOOLED	45911-0201	SIGNAL	SIGNAL	POWER	POWER	SIGNAL	POWER			
F	NOT TOOLED	45911-0202	POWER	SIGNAL	POWER	POWER	SIGNAL	SIGNAL			
F	NOT TOOLED	45911-0203	POWER	SIGNAL	SIGNAL	POWER	POWER	SIGNAL			
F	NOT TOOLED	45911-0204	SIGNAL	POWER	SIGNAL	POWER	POWER	SIGNAL			
F	NOT TOOLED	45911-0205	POWER	SIGNAL	SIGNAL	SIGNAL	POWER	POWER			
F	NOT TOOLED	45911-0206	SIGNAL	POWER	SIGNAL	SIGNAL	POWER	POWER			
F	NOT TOOLED	45911-0207	SIGNAL	SIGNAL	POWER	SIGNAL	POWER	POWER			
F	NOT TOOLED	45911-0208	POWER	POWER	POWER	POWER	SIGNAL	SIGNAL			
F	NOT TOOLED	45911-0209	SIGNAL	POWER	POWER	POWER	POWER	SIGNAL			
F	NOT TOOLED	45911-0210	SIGNAL	SIGNAL	SIGNAL	POWER	POWER	POWER			
F	NOT TOOLED	45911-0211	POWER	POWER	POWER	SIGNAL	POWER	SIGNAL			
F	NOT TOOLED	45911-0212	POWER	POWER	POWER	SIGNAL	SIGNAL	POWER			
F	NOT TOOLED	45911-0213	POWER	POWER	POWER	POWER	SIGNAL	POWER			
F	NOT TOOLED	45911-0214	POWER	POWER	SIGNAL	POWER	SIGNAL	POWER			
F	NOT TOOLED	45911-0215	POWER	POWER	SIGNAL	SIGNAL	POWER	POWER			
F	NOT TOOLED	45911-0216	POWER	SIGNAL	POWER	POWER	POWER	SIGNAL			
F	NOT TOOLED	45911-0217	POWER	SIGNAL	SIGNAL	POWER	POWER	POWER			
F	NOT TOOLED	45911-0218	POWER	SIGNAL	POWER	POWER	SIGNAL	POWER			
F	NOT TOOLED	45911-0219	POWER	POWER	SIGNAL	POWER	POWER	SIGNAL			
F	NOT TOOLED	45911-0220	POWER	SIGNAL	SIGNAL	POWER	POWER	POWER			
F	NOT TOOLED	45911-0221	POWER	POWER	POWER	SIGNAL	POWER	POWER			
F	NOT TOOLED	45911-0222	POWER	POWER	POWER	POWER	SIGNAL	POWER			
F	NOT TOOLED	45911-0223	POWER	POWER	POWER	POWER	POWER	SIGNAL			
F	NOT TOOLED	45911-0224	SIGNAL	POWER	POWER	POWER	POWER	POWER			

A	ENTER DESCRIPTION	EC NO: UCP2012-2806	DRWN: JSCHAFFER	2012/02/22	CHKD:	APPR: APATEL	2012/06/01
	QUALITY SYMBOLS	$\nabla F=0$	$\nabla E=0$	$\nabla E=0$			

GENERAL TOLERANCES (UNLESS SPECIFIED)	mm	INCH
	4 PLACES ± ---	± ---
	3 PLACES ± ---	± ---
	2 PLACES ± 0.25	± ---
	1 PLACE ± 0.25	± ---
	ANGULAR ± 1/2°	
DRAFT WHERE APPLICABLE MUST REMAIN WITHIN DIMENSIONS		

DIMENSION STYLE		SCALE	DESIGN UNITS	THIRD ANGLE PROJECTION
MM ONLY		1.5:1	METRIC	
DRAWN BY	DATE	TITLE		
SAMIEC	2005/04/14	POWER EDGE ASSEMBLY POWER / SIGNAL MIXED VERTICAL SOLDER TAIL		
CHECKED BY	DATE	MOLEX INCORPORATED		
SAMIEC	2005/04/14	DOCUMENT NO. SD-45911-001		
APPROVED BY	DATE	SHEET NO. 8 OF 8		
MARGULIS	2005/04/14	THIS DRAWING CONTAINS INFORMATION THAT IS PROPRIETARY TO MOLEX INCORPORATED AND SHOULD NOT BE USED WITHOUT WRITTEN PERMISSION		