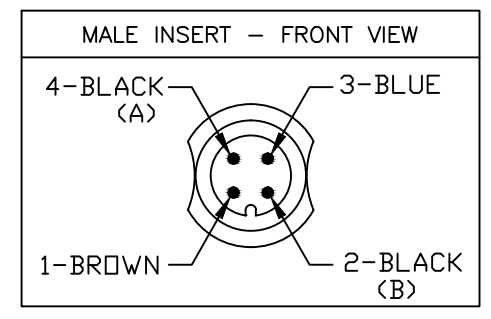
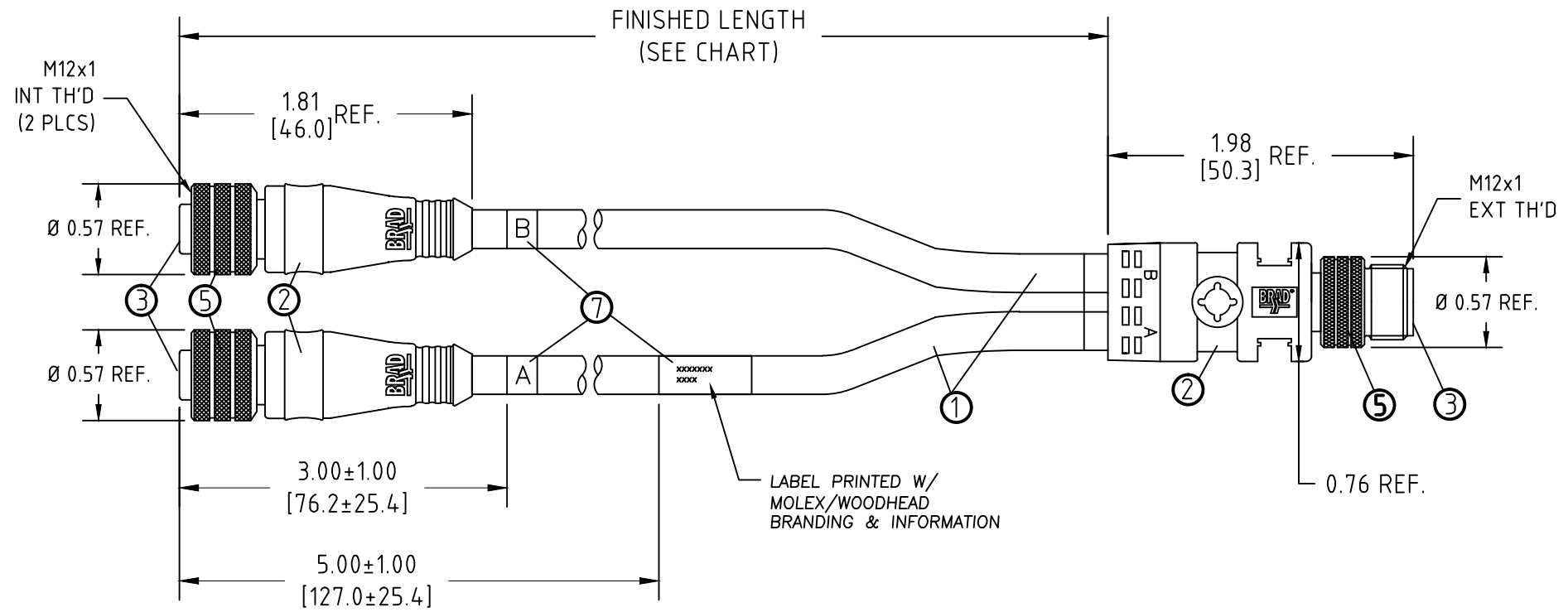
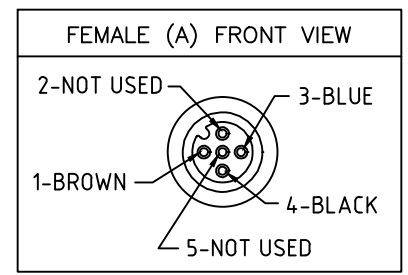
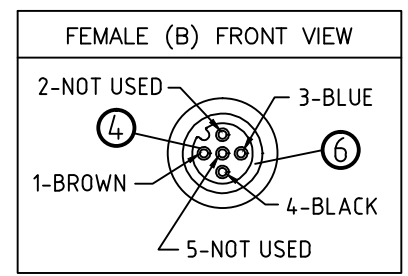


F



E

D

C

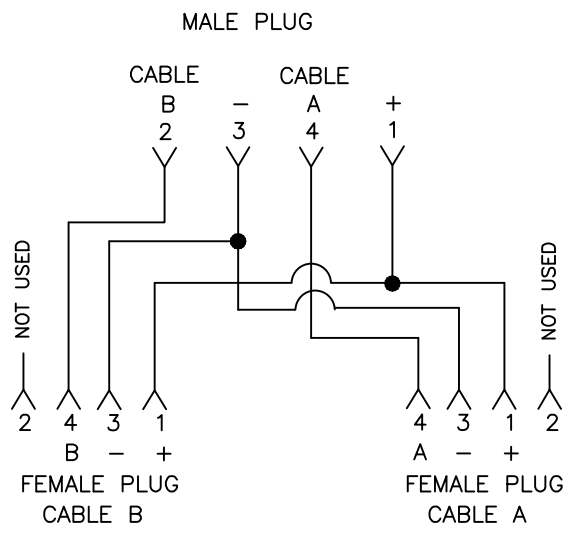
B

A

CONNECTOR SPECIFICATION:

|                       |  |
|-----------------------|--|
| VOLTAGE RATING        | 250VDC   |
| AMPERAGE RATING       | max. 4 AMPS                                      |
| PROTECTION            | IP67 WHEN MATED                                  |
| OPERATING TEMPERATURE | FLEXING: -5°C TO +80°C<br>STATIC: -30°C TO +80°C |

| ITEM | COMPONENT                                      | MATERIAL     | FINISH           |
|------|--|--------------|------------------|
| 7    | LABEL  | VINYL        | BLACK/YELLOW     |
| 6    | O-RING   | VITON        | RED              |
| 5    | COUPLER  | NICKEL-BRASS | TEFLON COATED    |
| 4    | PIN CONTACT                                    | COPPER ALLOY | GOLD OVER NICKEL |
| 3    | INSERT   | PUR          | BLACK            |
| 2    | OVERMOLD                                       | TPE          | YELLOW           |
| 1    | CABLE #18-4 (COPPER STRANDING) 4 CONDUCT. 300V | JACKET: TPE  | YELLOW           |



WIRING SCHEMATIC

| MATERIAL NUMBER | ENGINEERING NUMBER | FINISHED LENGTH                   |
|-----------------|--------------------|-----------------------------------|
| 1200680194      | 884A30K03M040      | 13.12' +6.50" -0 [4.0M +165.1 -0] |
| 1200680193      | 884A30K03M030      | 9.84' +3.50" -0 [3.0M +88.9 -0]   |
| 1200680192      | 884A30K03M020      | 6.56' +3.50" -0 [2.0M +88.9 -0]   |
| 1200680191      | 884A30K03M015      | 4.92' +2.19" -0 [1.5M +55.6 -0]   |
| 1200680190      | 884A30K03M010      | 3.28' +2.19" -0 [1.0M +55.6 -0]   |
| 1200680189      | 884A30K03M006      | 1.97' +1.75" -0 [0.6M +44.5 -0]   |
| 1200680188      | 884A30K03M005      | 1.64' +1.75" -0 [0.5M +44.5 -0]   |
| 1200680187      | 884A30K03M003      | 0.98' +0.75" -0 [0.3M +19.1 -0]   |

|   |                                      |  |                                     |                            |   |              |                        |                               |                     |   |
|---|--------------------------------------|--|-------------------------------------|----------------------------|---|--------------|------------------------|-------------------------------|---------------------|---|
| LABEL & COUPLING NUT<br>EC NO: IPG2012-1061<br>DRWN: VOU<br>CHKD: KJOZWIK<br>APPR: JFMURPHY 2010/02/15<br>5/16/12 | QUALITY SYMBOLS<br>▽=0<br>▽=0<br>▽=0 | GENERAL TOLERANCES (UNLESS SPECIFIED)  |                                     | DIMENSION STYLE<br>INCH/MM |   | SCALE<br>1:1 | DESIGN UNITS<br>METRIC | THIRD ANGLE PROJECTION        |                     |   |
|   |                                      | 4 PLACES ±--- ±---<br>3 PLACES ±--- ±.005<br>2 PLACES ±.13 ±.010<br>1 PLACE ±.25 ±.020 | DRAWN BY DATE<br>BBRAUCH 2010/02/04 |                            | TITLE<br>MIC IN-LINE SPLITTER ST        |              | MOLEX INCORPORATED     |                               | SHEET NO.<br>1 OF 1 |   |
|   |                                      | ANGULAR ±---°  | CHECKED BY DATE<br>NS 2010/02/05    |                            | APPROVED BY DATE<br>NSTAUDIG 2010/02/15 |              |                        |                               |                     |   |
|   |                                      | DRAFT WHERE APPLICABLE MUST REMAIN WITHIN DIMENSIONS                                   |                                     | SEE TABLE                  |   | MATERIAL NO. |                        | DOCUMENT NO.<br>SD-120068-022 |                     | THIS DRAWING CONTAINS INFORMATION THAT IS PROPRIETARY TO MOLEX INCORPORATED AND SHOULD NOT BE USED WITHOUT WRITTEN PERMISSION |