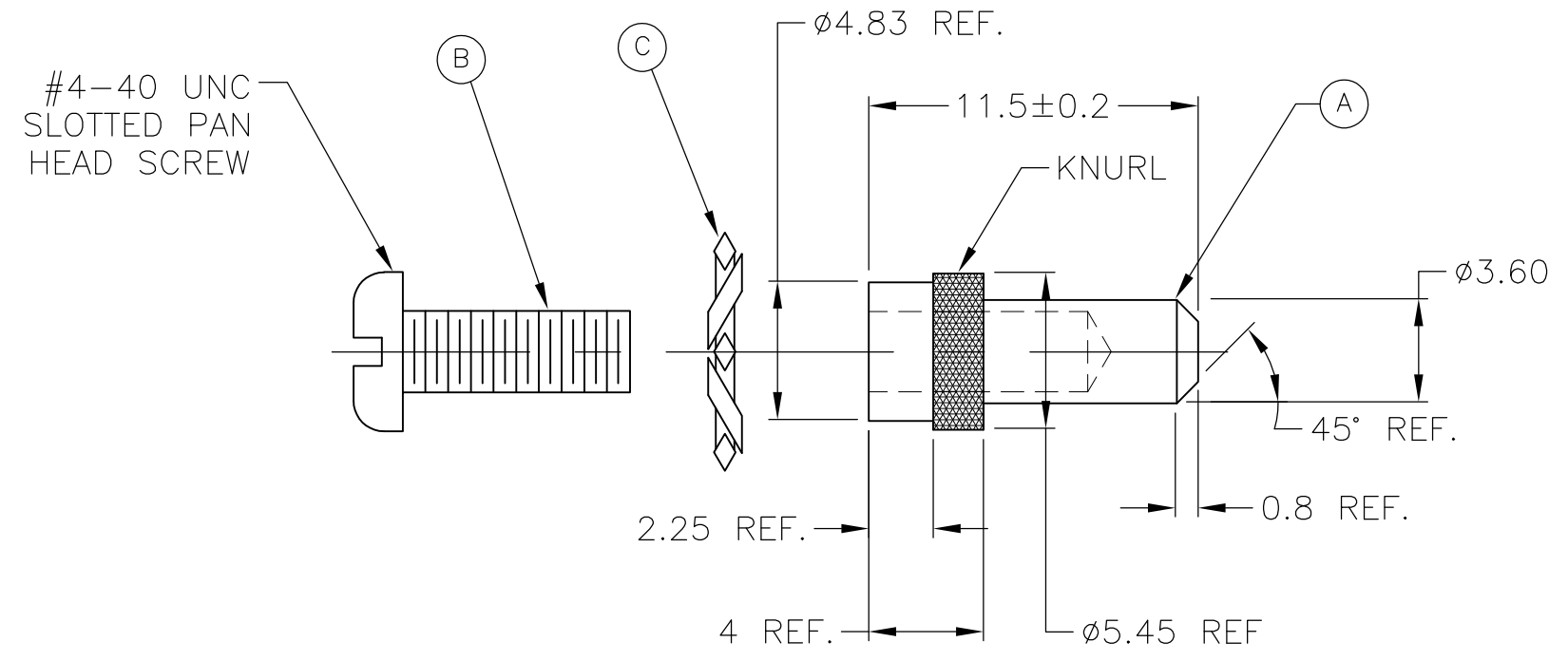


THIS DRAWING IS UNPUBLISHED. RELEASED FOR PUBLICATION  
 © COPYRIGHT BY TYCO ELECTRONICS CORPORATION. ALL RIGHTS RESERVED.

LOC	DIST	REVISIONS			
P	LTR	DESCRIPTION	DATE	DWN	APVD
AD	00	B	RELEASED PER ECO-08-003162	04FEB08	DH AS



- △1 MATERIAL:  
 A. POWER CONTACT: COPPER ALLOY  
 B. SCREW: BRASS  
 C. WASHER: PHOS BRONZE
- △2 FINISH:  
 A. POWER CONTACT: GOLD OVER NICKEL  
 B. SCREW: NICKEL  
 C. WASHER: NONE
- △3 SCREW LENGTH: 7.92 REF.

5223167-1  
 PART NUMBER

THIS DRAWING IS A CONTROLLED DOCUMENT.		DWN D. HUMBERT 020CT2007	Tyco Electronics Corporation Harrisburg, PA 17105-3608	
DIMENSIONS: mm		CHK A. SHARPE 020CT2007	NAME ASSEMBLY, CONTACT, PIN POWER WITH WASHER & SCREW	
		APVD A. SHARPE 020CT2007	PRODUCT SPEC -	
TOLERANCES UNLESS OTHERWISE SPECIFIED: 0 PLC ± - 1 PLC ± 0.1 2 PLC ± 0.13 3 PLC ± - 4 PLC ± - ANGLES ± -		APPLICATION SPEC -	SIZE A3	RESTRICTED TO -
MATERIAL △1		FINISH △2	CAGE CODE 00779	DRAWING NO 5223167
CUSTOMER DRAWING			SCALE 4:1	SHEET 1 OF 1
			REV B	