

PRODUCT NUMBER
20020706-XXXXXXLF

20020706-□ □ □ □ □ 0 □ L F

PITCH
J: 6.35 mm
S: 9.52 mm

POLES
02: 2 POLES
03: 3 POLES

LF : DENOTED RoHS COMPATIBLE

1 : STANDARD PRODUCT
W/ BOX PACKING

SCREW CODE

CODE	SCREW TYPE	AVAILABILITY
A	-/+	ON REQUEST ONLY
B	-	STANDARD

PROPERTY TABLE			
FCI SERIES NAME		12-635	12-952
PITCH (mm)		6.35	9.52
VOLTAGE RATING (VAC)		300	300
CURRENT RATING (A)		30	30
APPLICABLE WIRE RANGE (AWG)	1-WIRE	10~24	10~24
	2-WIRE	16	16
WIRE CROSS SECTION (mm ²)	SOLID	1-WIRE	6.0
		2-WIRE	1.5
	STRANDED	1-WIRE	4.0
		2-WIRE	1.5
OPENING CONTACT HOUSING(mm ²)		3.4x3.4	3.4x3.4
WIRE STRIP LENGTH(mm)		6~7	6~7
TORQUE +/-10% (N-M/Lb-in)		0.8/6.9	0.8/6.9
SCREW		M3.5x0.5	M3.5x0.5
WITHSTANDING VOLTAGE (kV)		1.6	1.6
OPERATING TEMP. (°C)		-40~+115	-40~+115
SOLDERING TEMP. (°C)		250±10 (5 sec.)	250±10 (5 sec.)
POLES AVAILABLE		02~03	02~03
SAFETY CERTIFICATE			

HOUSING CODE

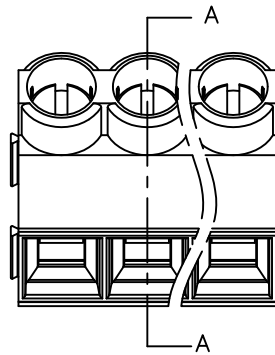
CODE	COLOR	AVAILABILITY
1	GREEN(RAL 6018/T)	STANDARD
2	BLACK	ON REQUEST ONLY
3	GREY(RAL 7004/P)	ON REQUEST ONLY
4	BLUE(RAL 5015/A)	ON REQUEST ONLY

NOTES:

- MATERIALS
1-1 HOUSING: THERMALPLASTIC RESIN, UL 94V-0 RATED,
1-2 SCREW: STEEL, ZINC PLATED.
1-3 CLAMP: COPPER ALLOY, NICKEL PLATED.
1-4 TERMINAL: COPPER ALLOY, TIN PLATED.
- PRODUCT SPECIFICATION REFER TO FCI GS-12-625.
- PRODUCT PACKING SPECIFICATION REFER TO FCI GS-14-1394.
- FCI, SAFETY CERTIFICATE LOGO AND SERIES NAME TO BE SHOWN ON PRODUCT SURFACE.
- THE PRODUCTS WHERE THE PART NUMBER END IN "LF" MEET THE EUROPEAN UNION DIRECTIVE AND OTHER COUNTRY REGULATIONS AS DESCRIBED IN GS-22-008.
- RECOMMENDED SOLDERING PROCESS BY WAVE SOLDER.

mat'l. code				surface ASME Y14.5	tolerance ASME Y14.5	projection	product family
tolerances unless otherwise specified							TERMINAL BLOCK
ltr	ecn no	dr	date	angles	to 10°	MM	title
A	T10-0143	WL	090610		X.±0.5	[INCH]	TERMINAL BLOCK
B	T10-0161	WL	101210		X.X±0.3		FIXED POWER PLUG, 45 DEGREE
C	T-006066	WL	091911	X'±1"	X.XX±0.1	scale	dwg no
				dr	WENDY CHEN	090610	sheet 1 of 3
				enr	JASON HSU	090610	20020706
				chr	GARY HSIEH	090610	A4
				appd	JOSEPH HSIA	090610	type
				CUSTOMER Drawing			
sheet index	revision sheet	C	C	C			
		1	2	3			

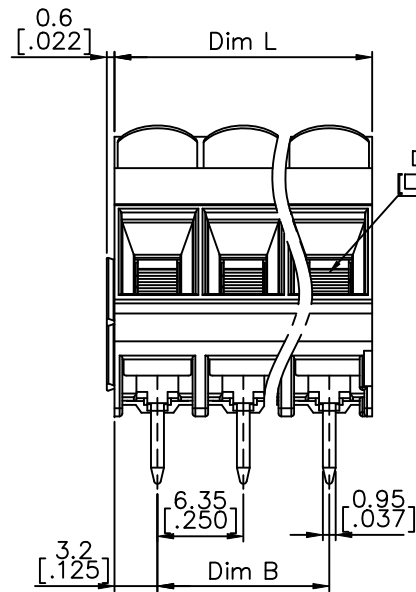
PRODUCT NUMBER	SERIES NAME	PITCH
20020706-JXXXXXXLF	12-635	6.35 mm



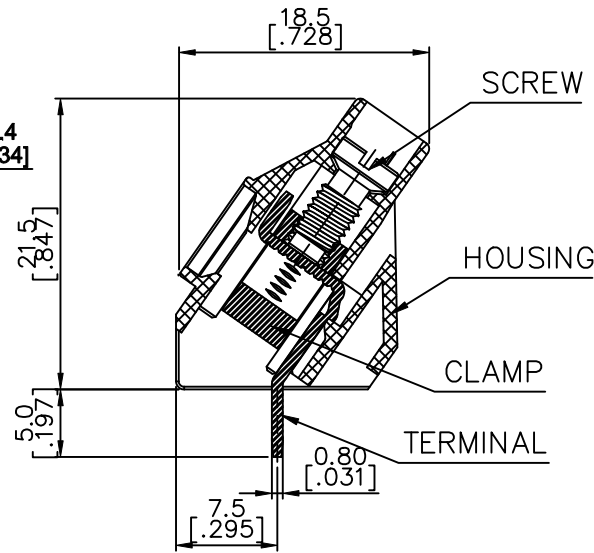
N=Number of poles

Dim L	$N * 6.35 [.250]$
Dim B	$(N - 1) * 6.35 [.250]$

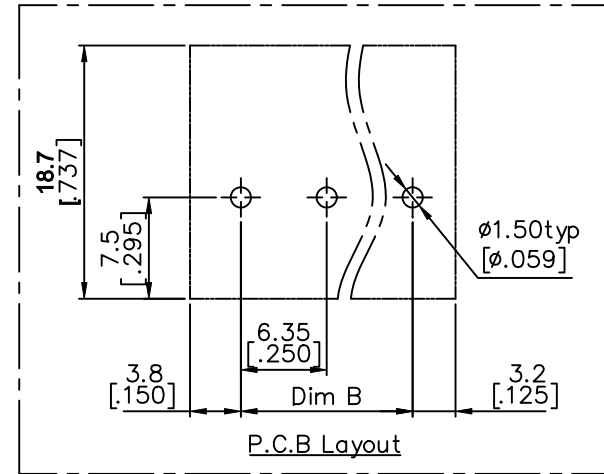
Poles	Tolerance
2p-3p	$\pm 0.15 [.006]$



□ 3.4X3.4
□ .134x.134

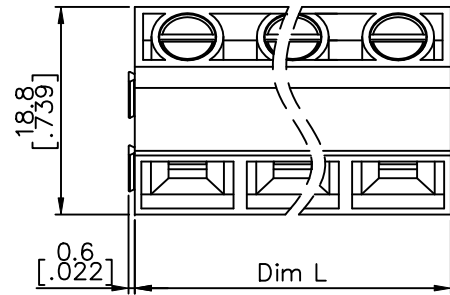


SECTION A-A



mat'l. code		surface ASME Y14.5	tolerance ASME Y14.5	projection 	product family TERMINAL BLOCK
ltr ecn no dr date		tolerances unless otherwise specified			title
c		angles X°±1'	linear X.±0.5 X.X±0.3 X.XX±0.1	MM [INCH]	TERMINAL BLOCK FIXED POWER PLUG, 45 DEGREE
dr		WENDY CHEN	090610	scale	dwg no
enr		JASON HSU	090610		sheet 2 of 3 size
chr		GARY HSIEH	090610		20020706
appd		JOSEPH HSIA	090610	type	CUSTOMER Drawing
sheet index	revision sheet				

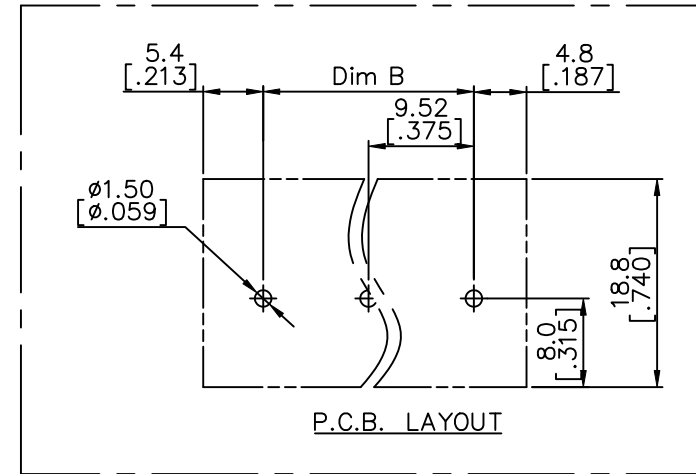
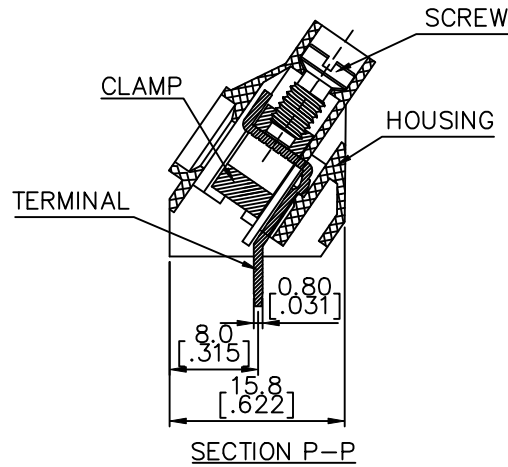
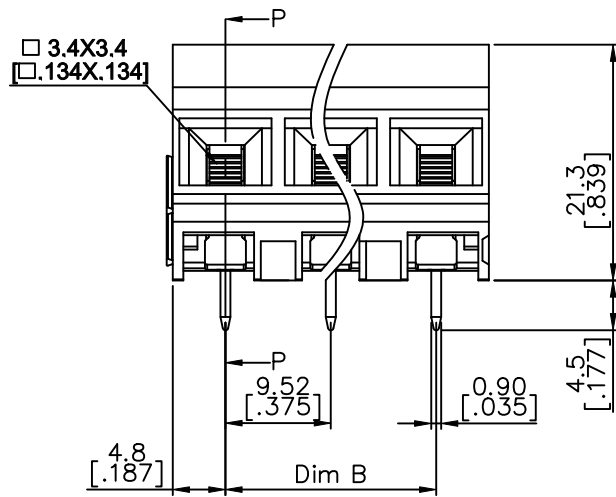
PRODUCT NUMBER	SERIES NAME	PITCH
20020706-SXXXXXXLF	12-952	9.52 mm



N=Number of poles

Dim L	$N \times 9.52 [.375]$
Dim B	$(N-1) \times 9.52 [.375]$

Poles	Tolerance
2p-3p	$\pm 0.15 [.006]$



mat'l. code	surface ASME Y14.5	tolerance ASME Y14.5	projection [Symbol]	product family TERMINAL BLOCK	
ltr	ecn	no	dr	date	title
tolerances unless otherwise specified					TERMINAL BLOCK FIXED POWER PLUG, 45 DEGREE
c	angles	total	MM [INCH]	scale	
	X°±1'	X.XX±0.1			
	dr	WENDY CHEN	090610		dwg no
	enr	JASON HSU	090610		sheet 3 of 3
	chr	GARY HSIEH	090610		20020706
	appd	JOSEPH HSIA	090610		A4
sheet index	revision sheet				type CUSTOMER Drawing