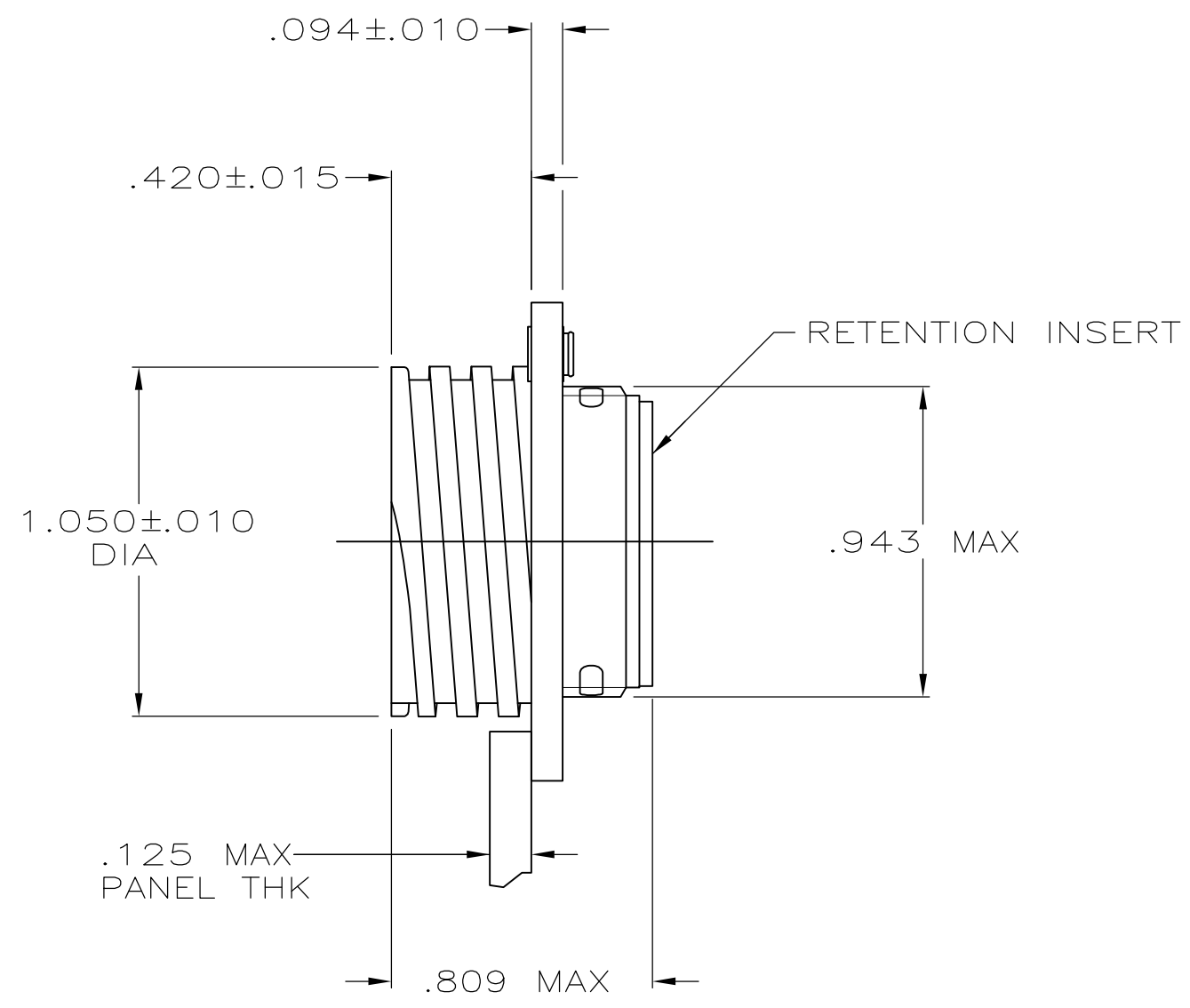
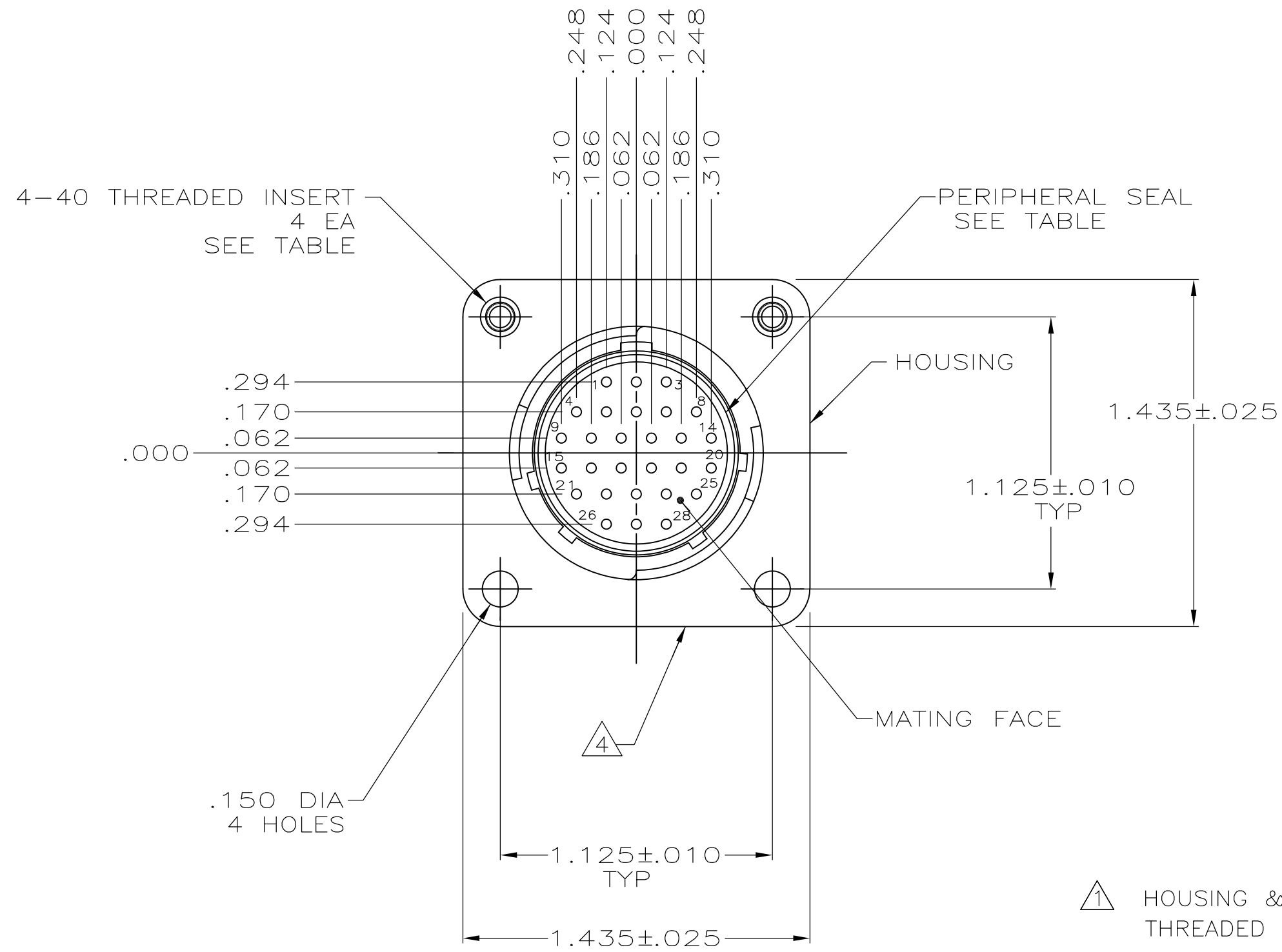
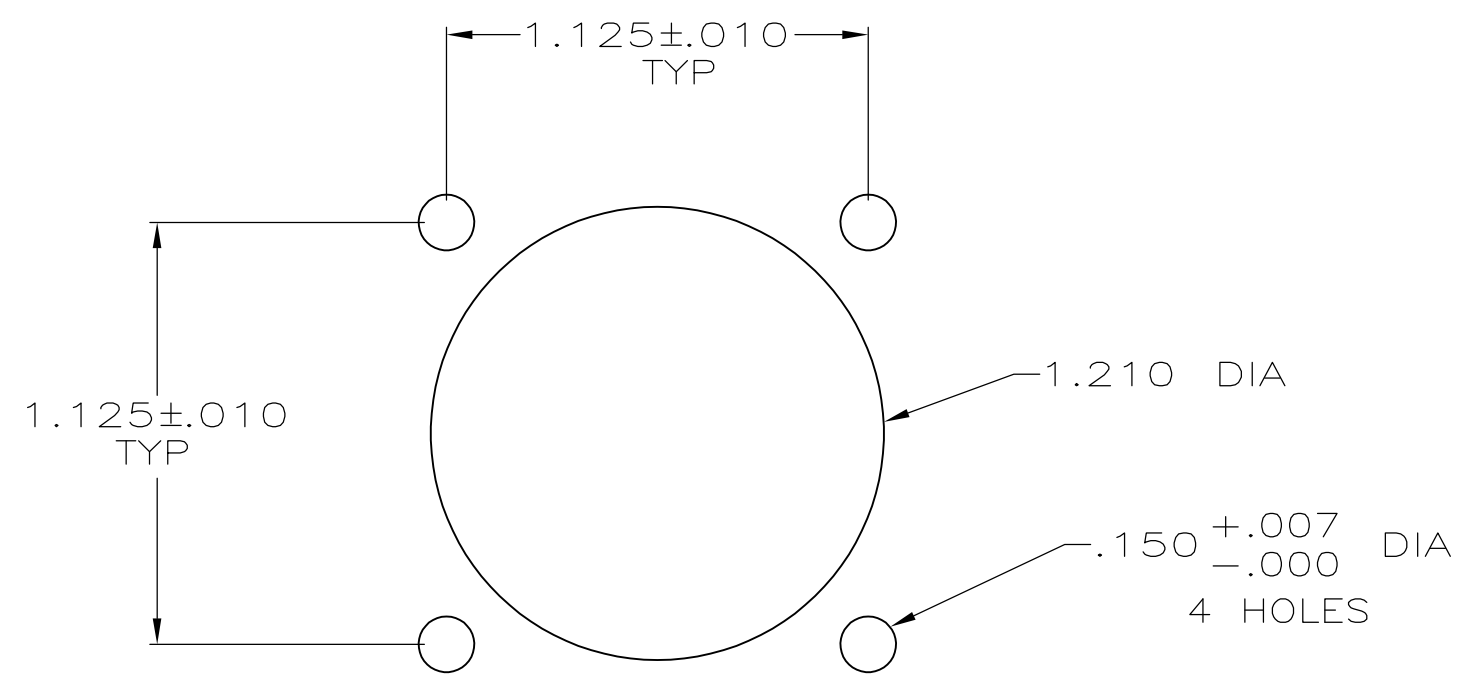


THIS DRAWING IS UNPUBLISHED. RELEASED FOR PUBLICATION
 © COPYRIGHT - By - ALL RIGHTS RESERVED.

LOC	DIST	REVISIONS			DATE	DWN	APVD
FT	4	P	LTR	DESCRIPTION	11MAR11	RK	HMR
		H1		REVISED PER ECO-11-004820			



- 1. HOUSING & RETENTION INSERT: THERMOPLASTIC, BLACK. THREADED INSERTS: BRASS.
- 2. CONTACT CAVITIES IDENTIFIED BY CHARACTERS ON FRONT AND REAR FACES OF CONNECTOR.
- 3. WILL ACCEPT (28) SIZE 20 PIN CONTACTS.
- 4. AMP AND PART NUMBER ANY EDGE.



PANEL CUTOUT

YES	YES	205840-5
NO	YES	205840-4
NO	NO	205840-3
PERIPHERAL SEAL	4-40 THREADED INSERTS	PART NUMBER

THIS DRAWING IS A CONTROLLED DOCUMENT.		DWN	A.STAUB BG	4/3/91	TE TE Connectivity		
DIMENSIONS: INCHES		CHK	W.G.LENKER	7-24-92			
TOLERANCES UNLESS OTHERWISE SPECIFIED:		APVD	K.BEAVER	7-24-92	NAME		
0 PLC ± -		PRODUCT SPEC		108-10024			RECEPTACLE ASSEMBLY, STD SEX, SERIES 2, 17-28, CPC
1 PLC ± -		APPLICATION SPEC		-			
2 PLC ± -		WEIGHT		-			RESTRICTED TO
3 PLC ± .005		SCALE		2:1			
4 PLC ± -		SHEET		1 of 1			
ANGLES ± -		REV		H1			
FINISH		CUSTOMER DRAWING					