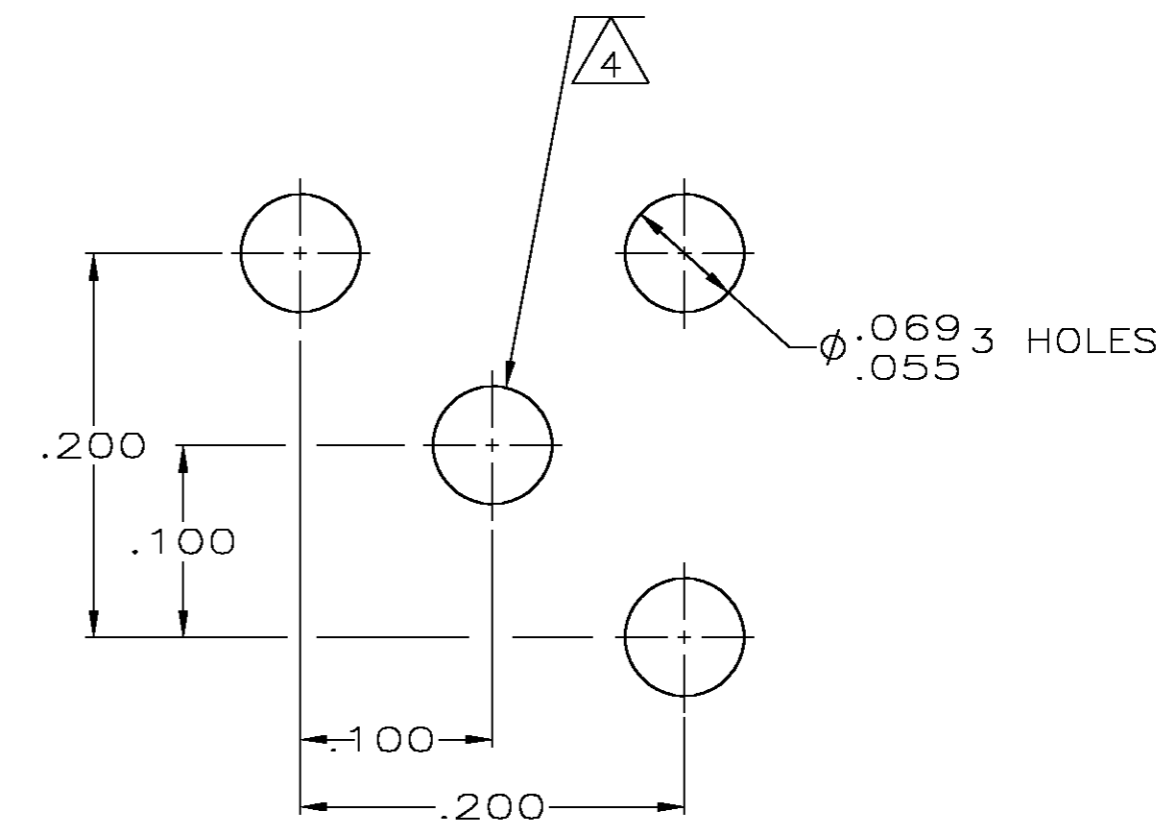
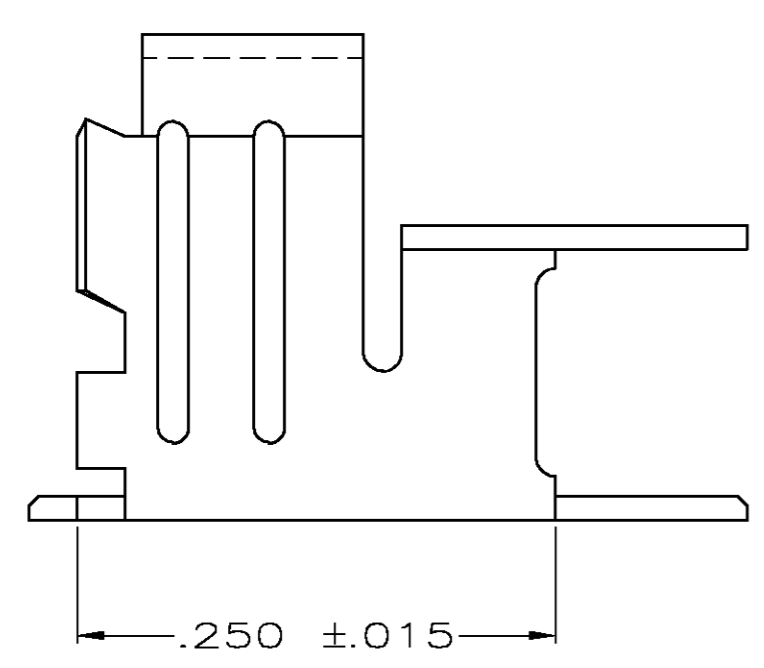
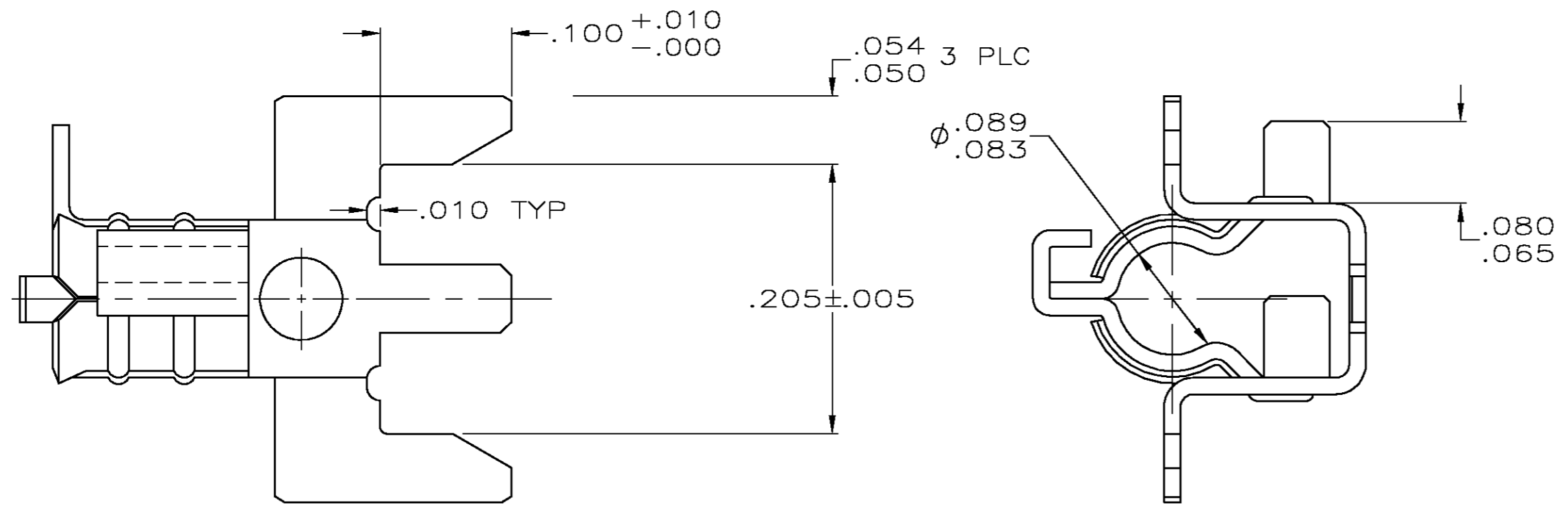


THIS DRAWING IS UNPUBLISHED. RELEASED FOR PUBLICATION
 © COPYRIGHT BY TYCO ELECTRONICS CORPORATION. ALL RIGHTS RESERVED.

LOC	DIST	REVISIONS					
		P	LTR	DESCRIPTION	DATE	DWN	APVD
AJ	16	K		RDW & REV PER 0514-0114-04	05MAY04	JDP	JL

1. MATES WITH 226286-2 OR -3, CRIMPED TO CABLE
2. 60/40 MATTE TIN-LEAD PL PER MIL-P-81728
3. NICKEL PL PER QQ-N-290
4. REFERENCE AMP MINIATURE SPRING SOCKET, 330808, FOR RECOMMENDED HOLE DIAMETERS
5. INSTRUCTION SHEET NO.: 408-2472-1
6. TIN PLATE PER ASTM B-545.



RECOMMENDED MOUNTING HOLE PATTERN

6	9-226287-0
2	226287-2
FINISH	PART NUMBER

THIS DRAWING IS A CONTROLLED DOCUMENT.		DWN	P. ALSEDEK	4-20-90	 Tyco Electronics Corporation Harrisburg, Pa 17105-3608
DIMENSIONS: INCHES		CHK	M. SNEED	4-24-90	
TOLERANCES UNLESS OTHERWISE SPECIFIED:		APVD	M. SNEED	04-24-90	
0 PLC ± - 1 PLC ± - 2 PLC ± - 3 PLC ± .008 4 PLC ± - ANGLES ± - FINISH		PRODUCT SPEC	NAME		
MATERIAL: BRASS, MIL-C-50,		APPLICATION SPEC	RECEPTACLE, PCB, VERTICAL, BRAID PIC		RESTRICTED TO
		WEIGHT	.006 oz	SIZE	A2
		CUSTOMER DRAWING	CAGE CODE		00779
		SCALE	10:1	DRAWING NO	C=226287
		SHEET	1	OF	1
		REV	K		

226287