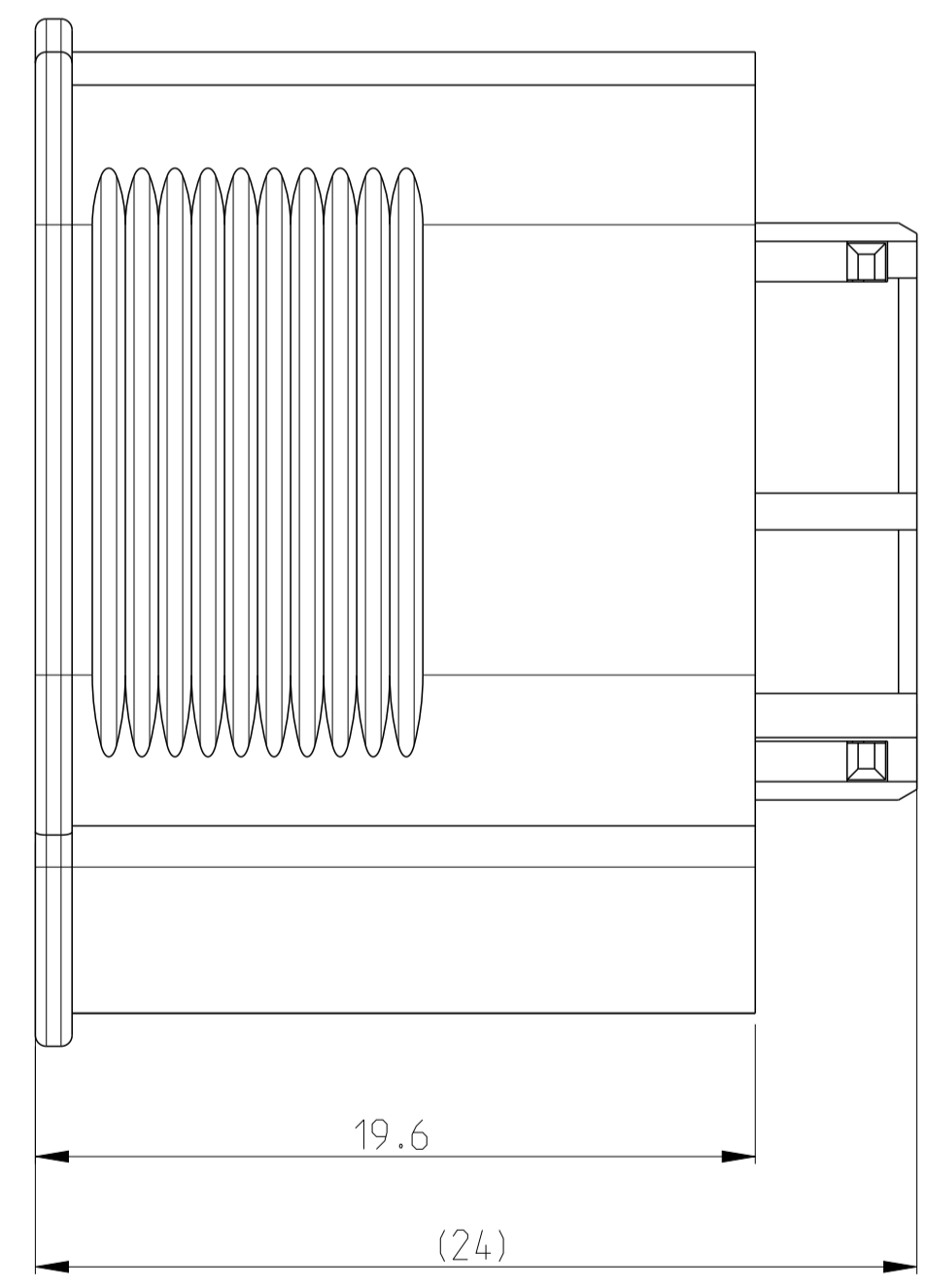
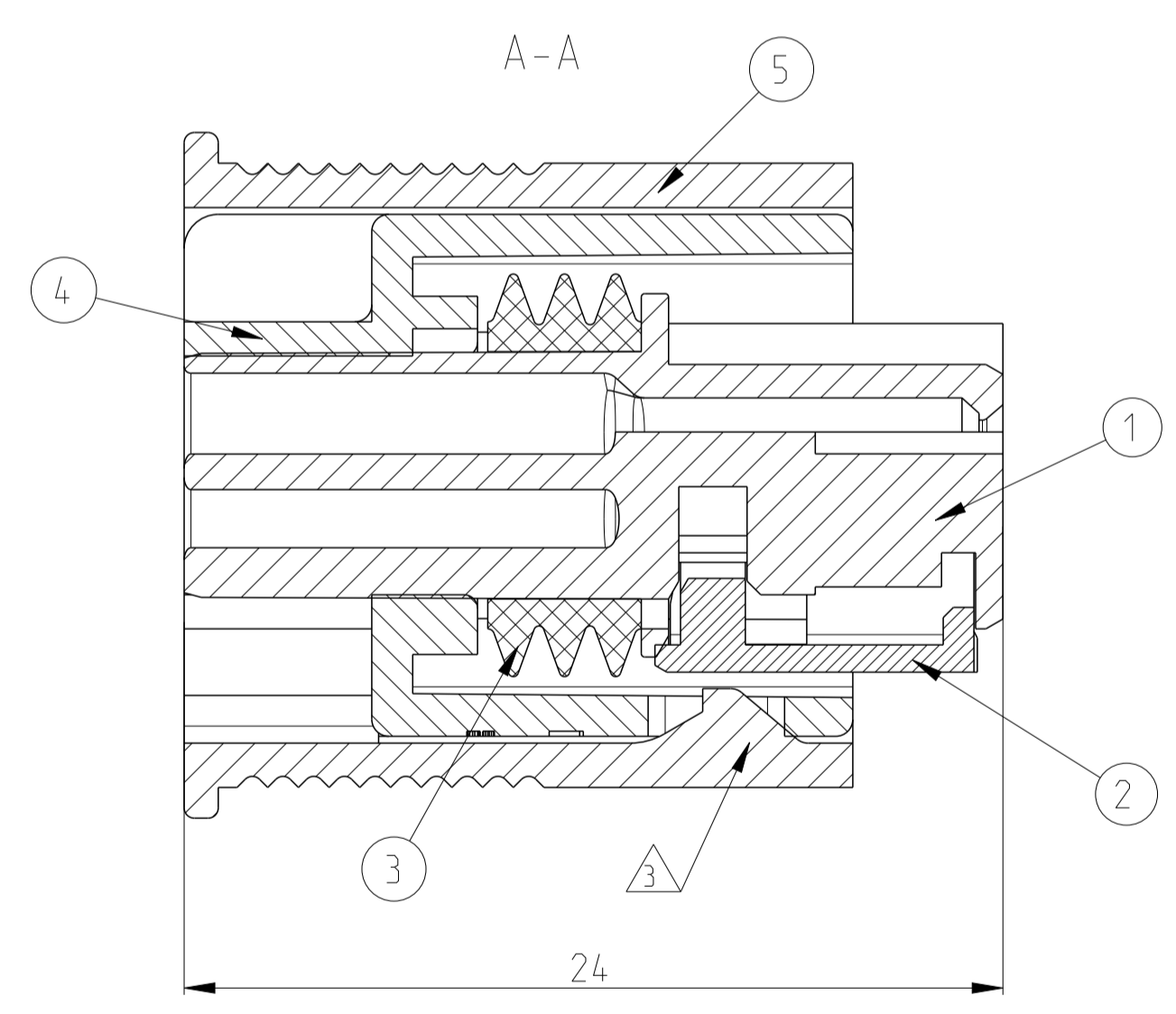
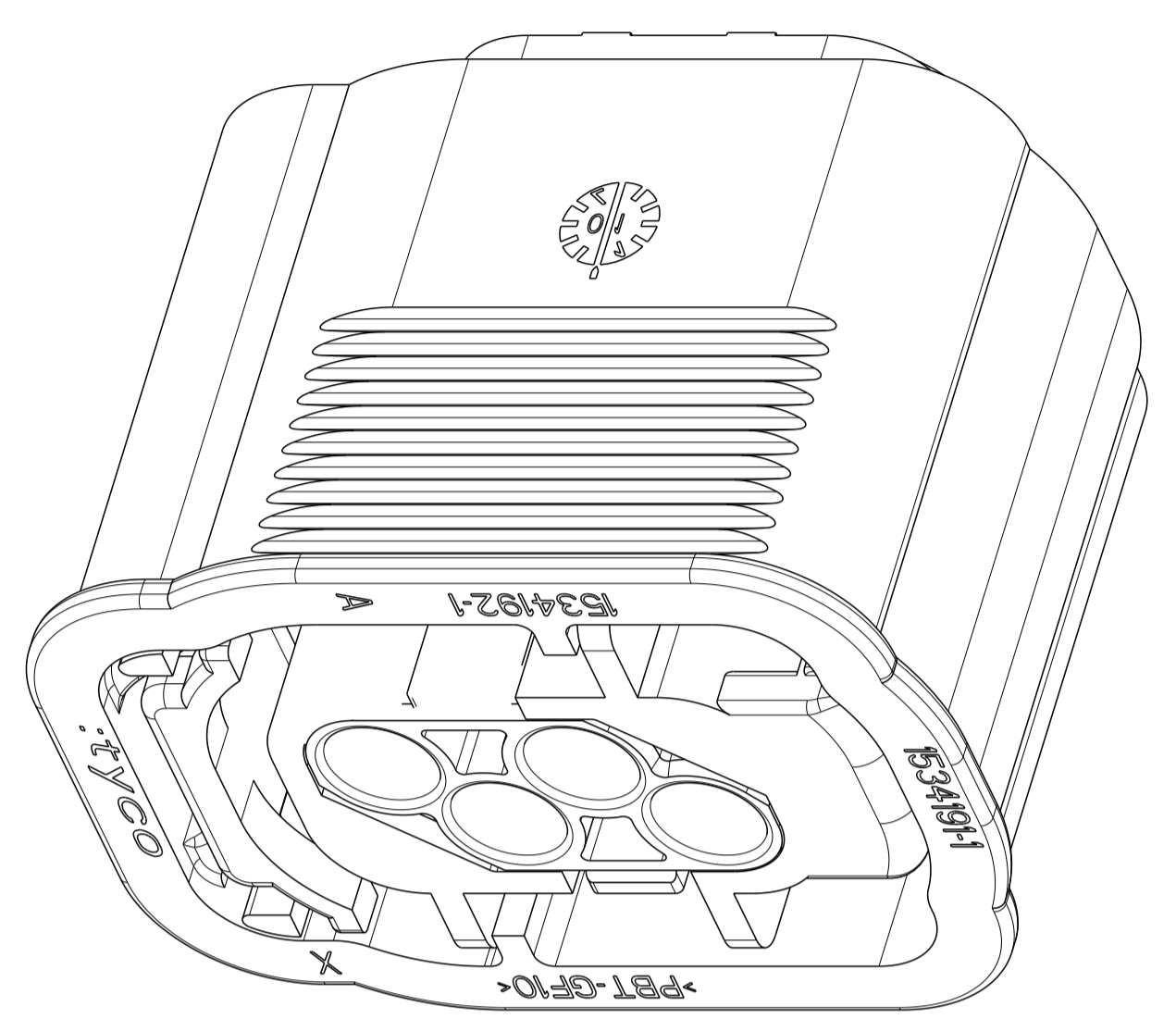
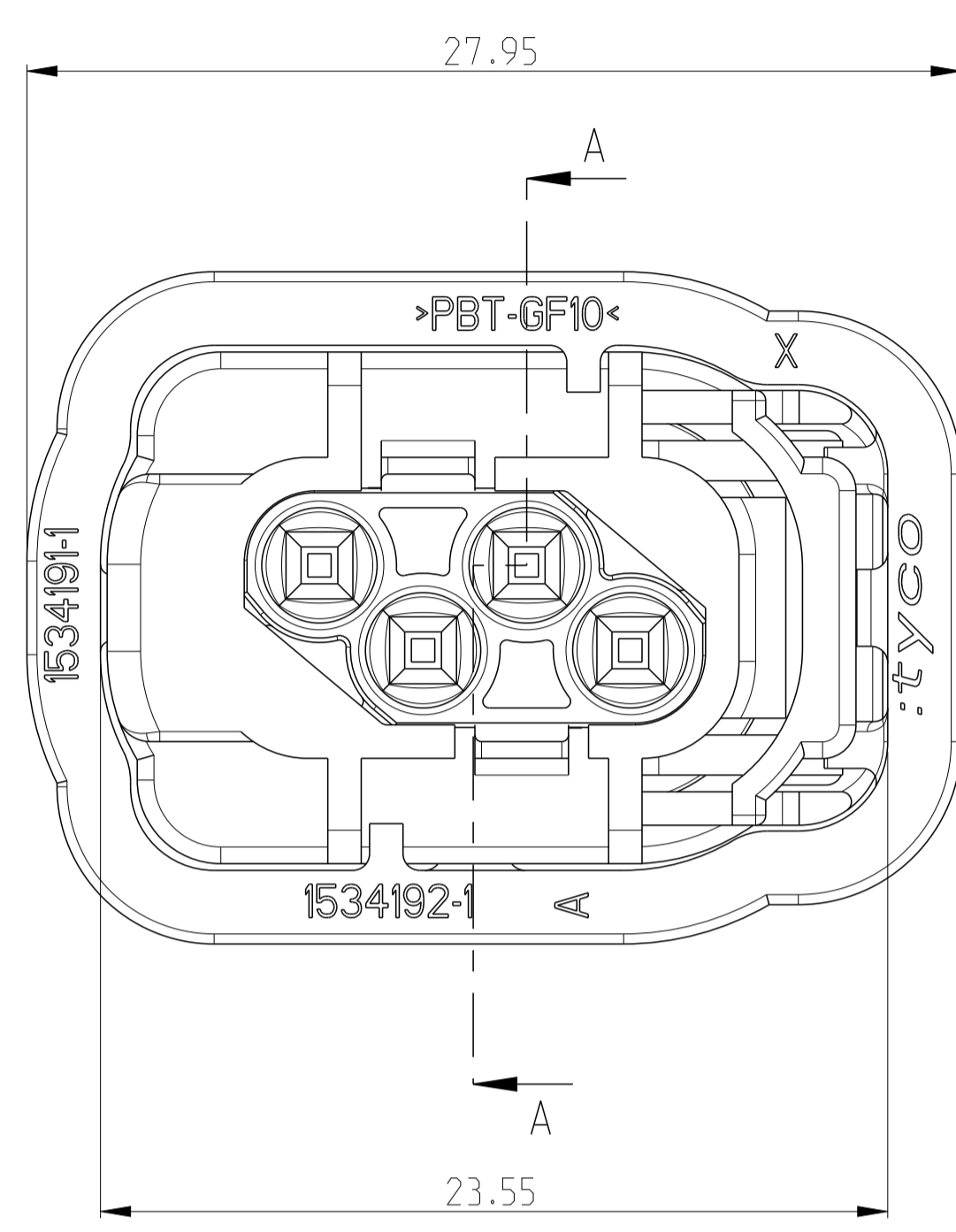
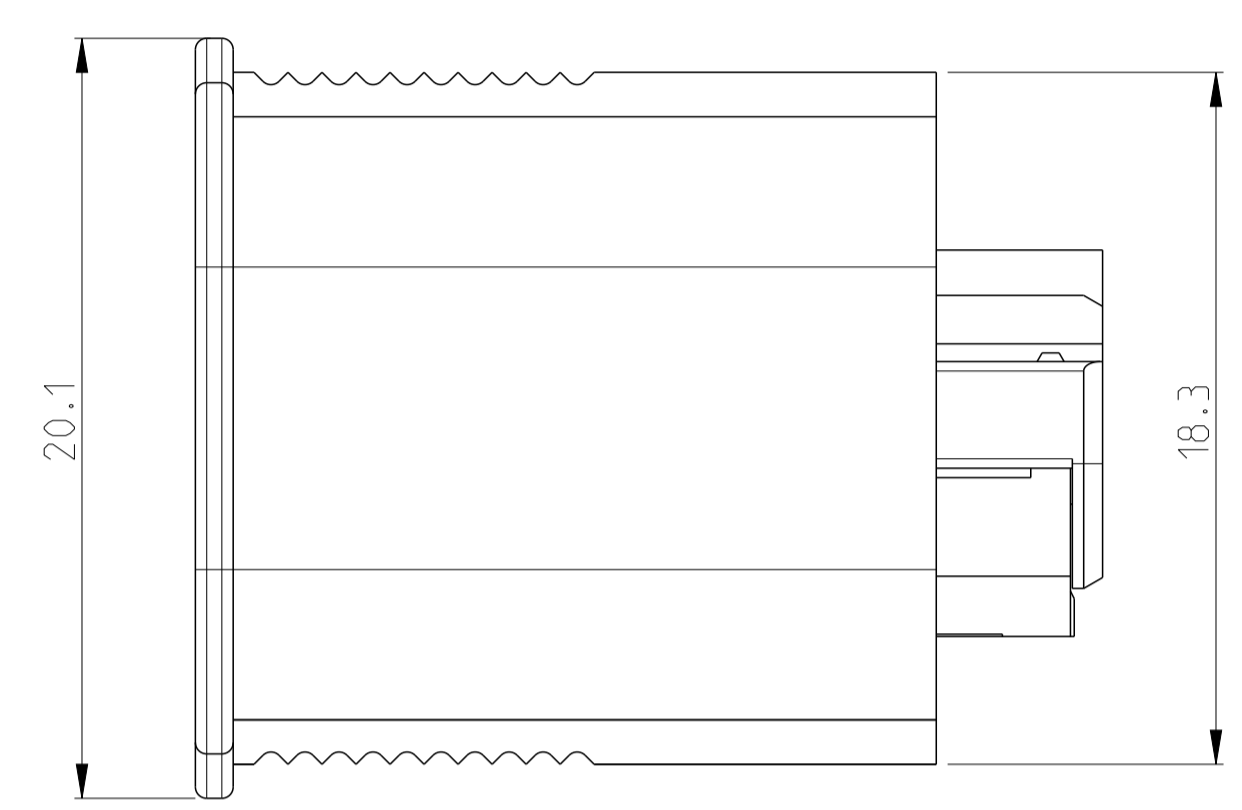
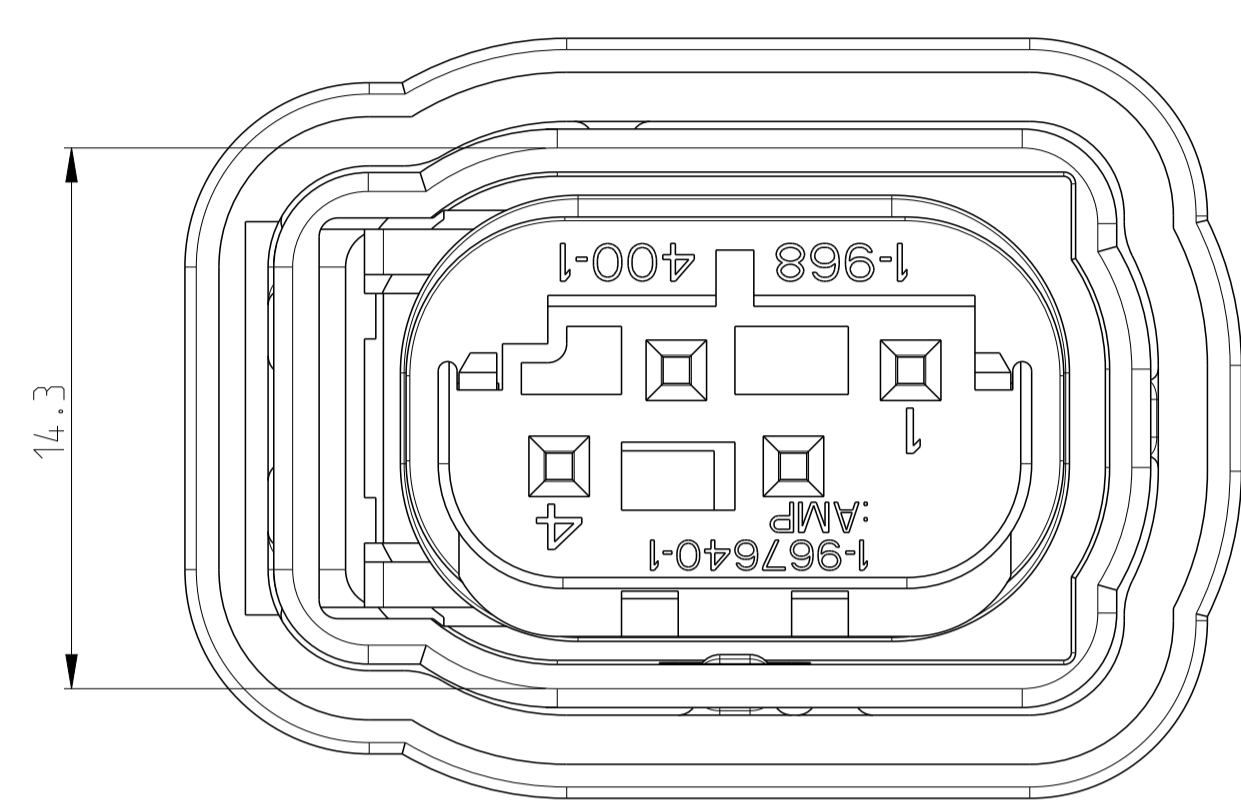


PROJECT NO		REVISIONS		DATE	DWN	APVD
P	LTM	DESCRIPTION				
A		NEW DRAWING		09FEB2015	SMS	PT



NOTES

- 1 BULK PACKAGING IN TYCO CARTON 973057-2
- 2 SUITABLE FOR SHROUDED CONNECTION NO. TAB 114-18063-076
- 3 CONDITION AS SUPPLIER: RETAINER IN PRE-LOCKED POSITION (SEE PN 1-967640-1)

COD.	ASSY NO.	REV.	PART NO.	REV.	DESCRIPTION	MATERIAL	COLOUR SURFACE	QTY.	POS.
A	0-1534191-1	A	0-1534192-1	B	COVER	PBT-GF10	BLACK	1	5
			0-968399-1	B	PROTECTIVE COVER	PBT-GF10	BLACK	1	4
			0-967083-1	B	SEALING	MVQ 30	NATURAL	1	3
			0-968398-1	B	RETAINER	PBT-GF15	GREEN	1	2
			1-968400-1	B	SOCKET HSG.. 4POS. CODING A	PBT-GF15	BLACK	1	1

THIS DRAWING IS A CONTROLLED DOCUMENT.

DIMENSIONS:	TOLERANCES UNLESS OTHERWISE SPECIFIED:	DWN: MUTHU SAMY 09FEB2015	CHK: PARUSURAM T 09FEB2015	APVD: HIRIPPER 09FEB2015	NAME: SOCKET HOUSING SWS 4POL MQS ASSY
mm	±0.15	ACC TO DIN 9130	ACC TO DIN 9130	ACC TO DIN 9130	SIZE: A1
		108-18272-0	114-18061	Customer Drawing	RESTRICTED TO
MATERIAL:	FINISH:	SCALE: 5:1	SHEET 1 OF 1	REV A	

TE Connectivity