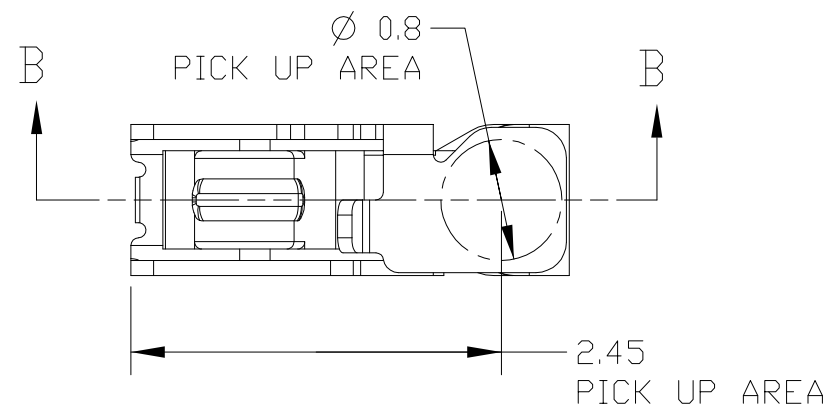
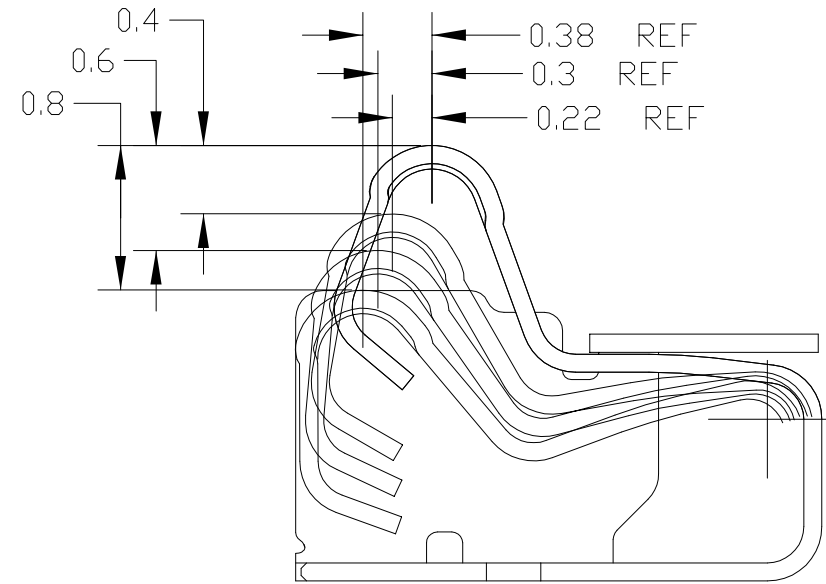


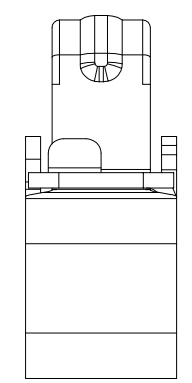
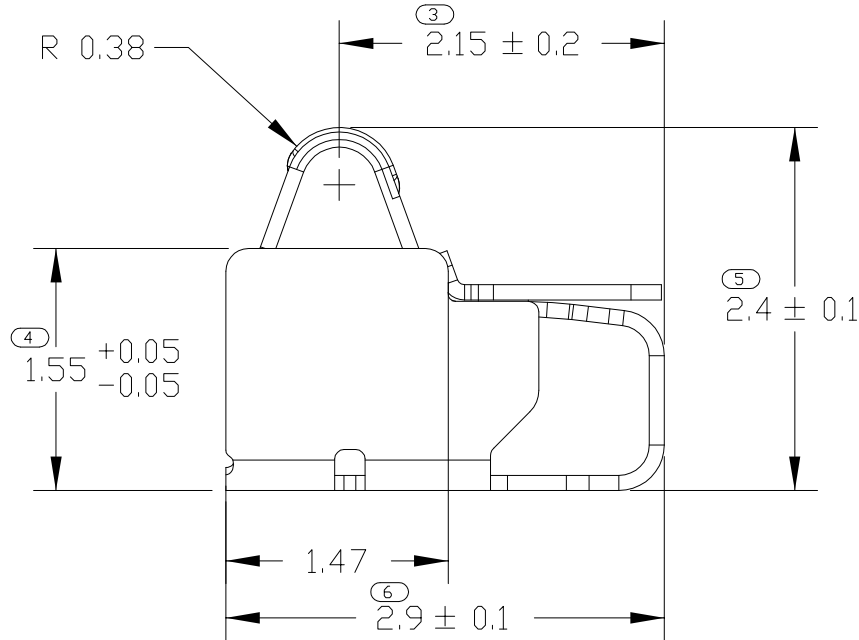
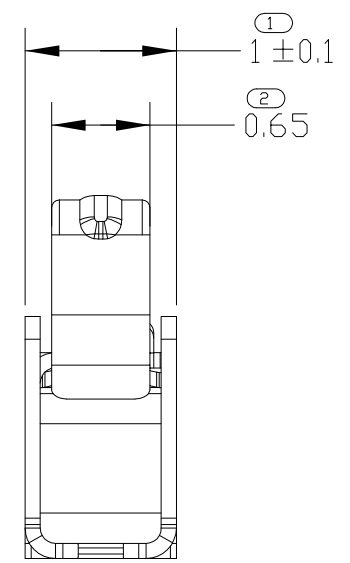
P	LTR	DESCRIPTION	DATE	DWN	APVD
	A	RELEASED	16MAY2013	IC.K	JH.K
	B	REVISED	03JUNE2013	IC.K	JH.K
	C	REVISED	10JUNE2013	IC.K	JH.K
	C1	REVISED	25FEB2014	IC.K	JH.K



AS SHOWN  
 ① 2108613-5/6  
 ② 2-2108613-6

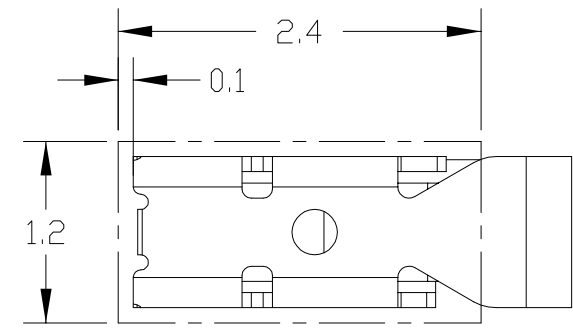


SECTION B-B  
 STROKE CONDITION(REFERENCE)

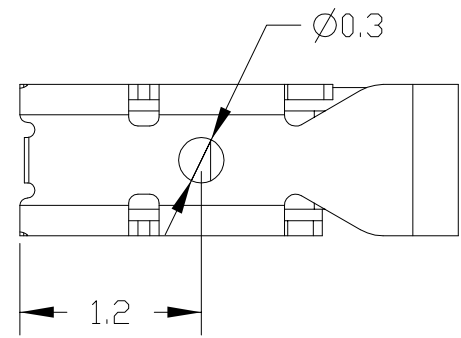


- ① MATERIAL: TICU(COPPER ALLOY), THK.= 0.1
- ② FINISH: Ni UNDER PLATING ALL OVER 0.8~3.0um  
 CONTACT PLATING: Au 0.1~0.4um  
 SOLDER PLATING: Au 0.05~0.35um
- ③ CUTTING BURR: 0.05mm MAX.
- ④ F/G SHOULD BE SAPERATED BASED ON THE CUSTOMER'S PART NUMBER AS BELOW TABLE

NO	PART NUMBER	CUSTOMER PART NUMBER	PRODUCT SPEC
1	2108613-5	MBV62561601	108-61188
2	2108613-6	EAG63652101	
3	2-2108613-6	-	108-61253



RECOMENDED PCB LAYOUT  
 (REFERENCE)



THIS DRAWING IS A CONTROLLED DOCUMENT.

DIMENSIONS: mm	TOLERANCES UNLESS OTHERWISE SPECIFIED: ±0.15
	0-PLC ±
	1-PLC ±0.5
	2-PLC ±0.13
	3-PLC ±0.013
	4-PLC ±0.0001
ANGLES	±
MATERIAL	FINISH
①	②

DWN	JH GONG	08FEB2013
CHK	JH KIM	08FEB2013
APVD	JH KIM	08FEB2013
PRODUCT SPEC	SEE TABLE ④	
APPLICATION SPEC	-	
WEIGHT	-	
CUSTOMER DRAWING		

**TE** TE Connectivity

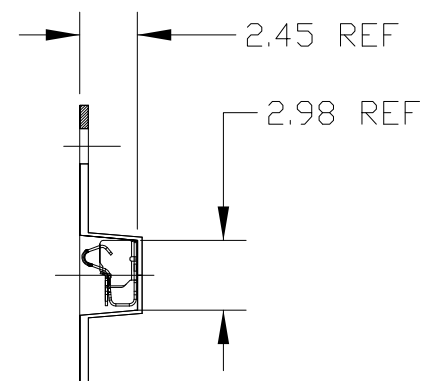
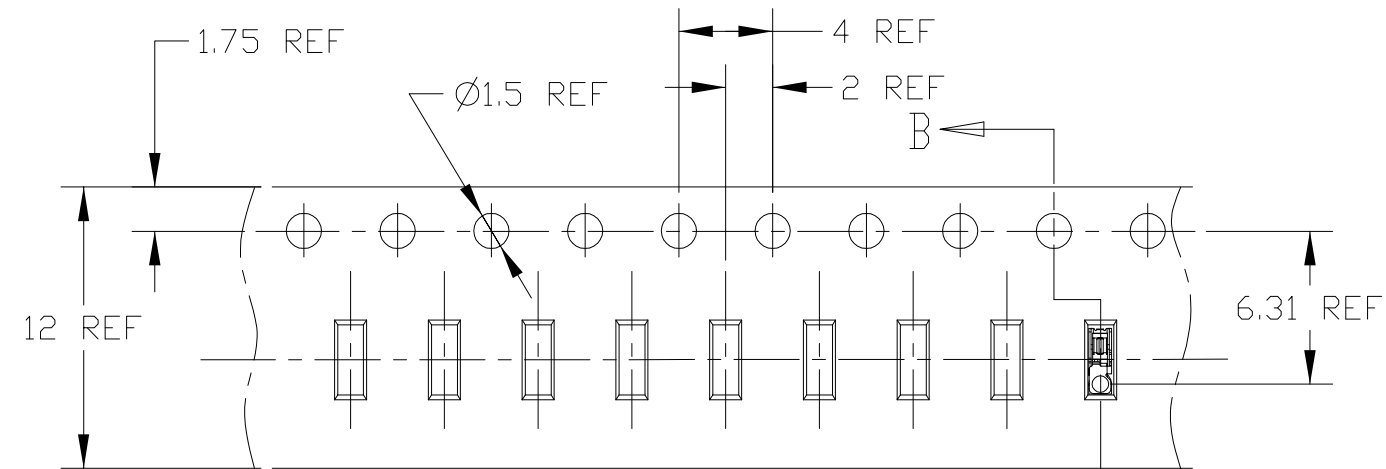
NAME: SPRING FINGER 2.4H

SIZE	CAGE CODE	DRAWING NO	RESTRICTED TO
A3	00779	©=2108613	-

SCALE: 20:1 SHEET 1 OF 3 REV: C2

P	LTR	DESCRIPTION	DATE	DWN	APVD
		SEE SHEET 1			

# ①4<2108613-5 : FOR MBV62561601>



DIRECTION OFF TOP OF REEL

SECTION B-B

**TE**

MBV62561601-YYYYMMDD-\*\*\*\*\*-HK000120

SPEC: 2.4H SPRING FINGER WITH EMBOSS

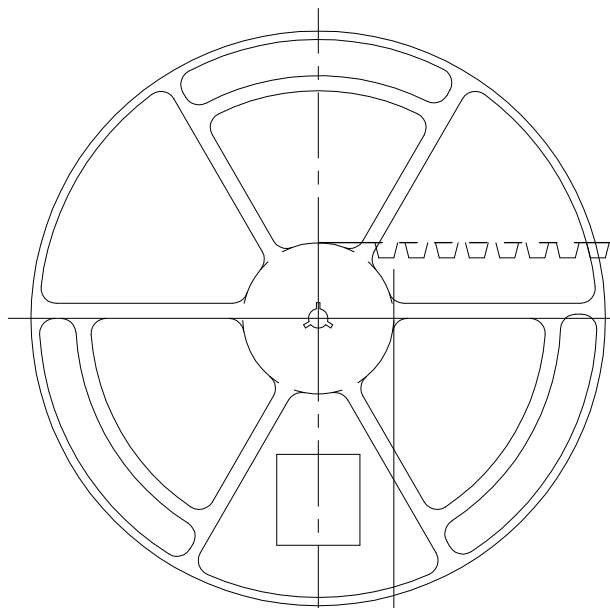
Company Name: TE CONNECTIVITY  
Tyco Part Number : 2108613-5

RoHS
H/F

- 1. LG PART NO.
- 2. FINAL INSPECTION(YYYMMDD)
- 3. VENDOR PRODUCTION LOT NO.
- 4. VENDOR CODE

Ø100 REF  
FLANGE CORE DIA.

Ø330 REF  
REEL DIA.



WEEDING THE COVER TAPE.  
AROUND THE OUTER  
PERIPHERY IN  
A TURN

165° ~ 180°  
PEELING ANGLE  
0.1~1.0N  
PEELING FORCE

WITH PRODUCT CHARGE  
6000EA/1REEL

WITHOUT CHARGE  
400mm REF.

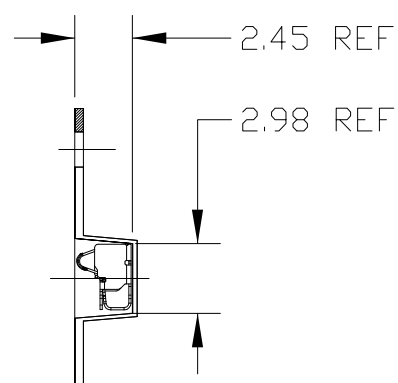
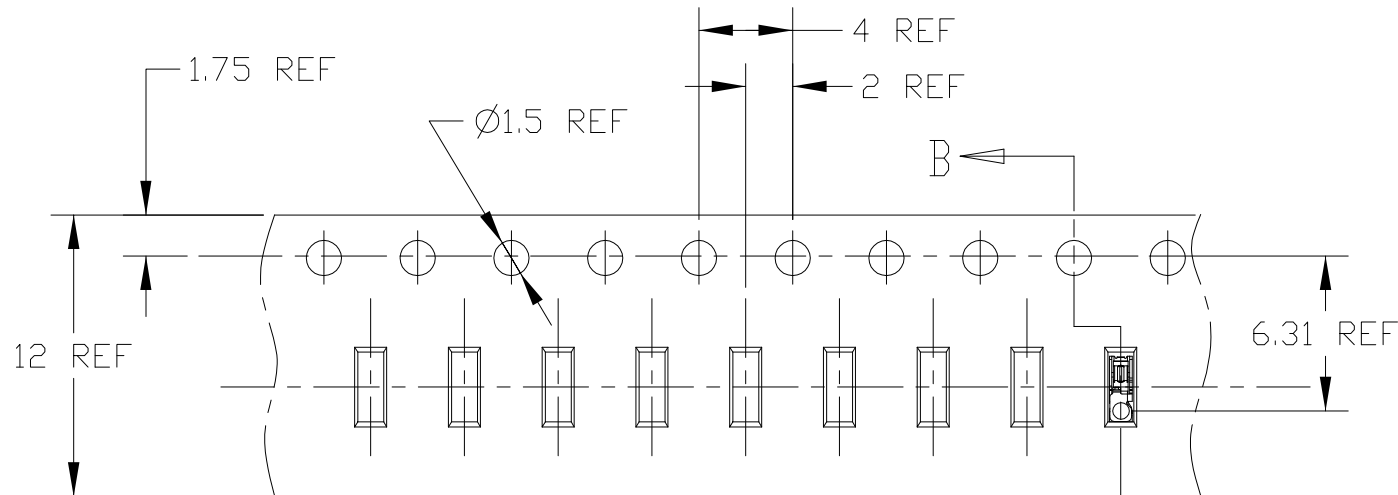
160mm REF  
WITHOUT CHARGE

13.4  
19.4  
REEL WIDTH

THIS DRAWING IS A CONTROLLED DOCUMENT.		DWN JH GONG 08FEB2013		<b>TE</b> TE Connectivity	
		CHK JH KIM 08FEB2013			
		APVD JH KIM 08FEB2013		NAME	
DIMENSIONS: mm 		TOLERANCES UNLESS OTHERWISE SPECIFIED: ±0.15 Ø-PLC ± 1-PLC ±0.5 2-PLC ±0.13 3-PLC ±0.013 4-PLC ±0.0001 ANGLES ± FINISH -		108-XXXXX	
				PRODUCT SPEC	
MATERIAL -		WEIGHT -		SIZE A3	CAGE CODE 00779
		CUSTOMER DRAWING		DRAWING NO C-2108613	RESTRICTED TO -
		SCALE 20:1		SHEET 2 OF 3	REV C2

P	LTR	DESCRIPTION	DATE	DWN	APVD
		SEE SHEET 1			

① 4 <2108613-6 : FOR EAG63652101>



DIRECTION OFF TOP OF REEL

SECTION B-B

①

**STE**

EAG63652101-YYYYMMDD-\*\*\*\*\*-HK000120

SPEC: 2.4H SPRING FINGER WITH EMBOSS

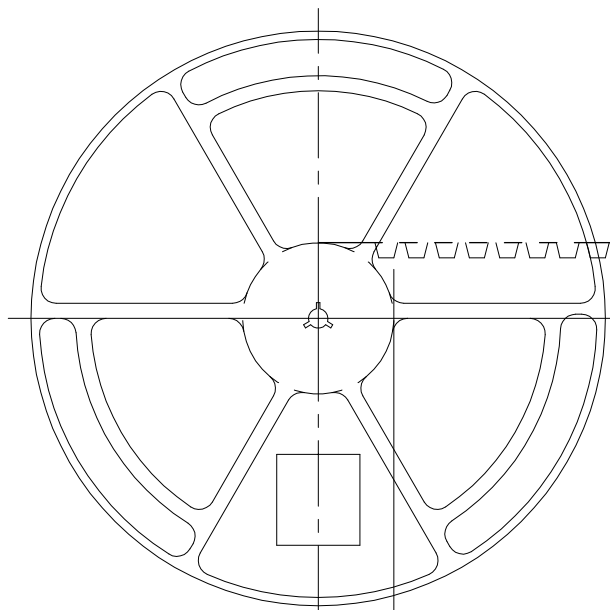
Company Name: TE CONNECTIVITY  
Tyco Part Number : 2108613-5

RoHS
H/F

- 1. LG PART NO.                      2. FINAL INSPECTION(YYYMMDD)
- 3. VENDOR PRODUCTION LOT NO.    4. VENDOR CODE

Ø100 REF  
FLANGE CORE DIA.

Ø330 REF  
REEL DIA.



WEEDING THE COVER TAPE.  
AROUND THE OUTER  
PERIPHERY IN  
A TURN

165°~180°  
PEELING ANGLE  
0.1~1.0N  
PEELING FORCE

WITH PRODUCT CHARGE  
6000EA/1REEL

WITHOUT CHARGE  
400mm REF.

160mm REF  
WITHOUT CHARGE

13.4  
19.4  
REEL WIDTH

THIS DRAWING IS A CONTROLLED DOCUMENT.		DWN JH GONG 08FEB2013	<b>STE</b> TE Connectivity			
		CHK JH KIM 08FEB2013				
		APVD JH KIM 08FEB2013	NAME			
		PRODUCT SPEC 108-XXXXX	SPRING FINGER 2.4H			
		APPLICATION SPEC	SIZE	CAGE CODE	DRAWING NO	RESTRICTED TO
		WEIGHT	A3	00779	C-2108613	-
		CUSTOMER DRAWING	SCALE	SHEET	OF	REV
			20:1	3	3	C2