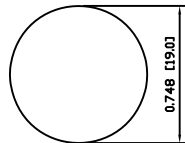
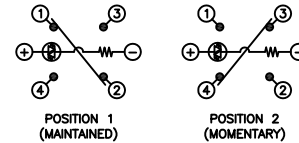


SUGGESTED PANEL CUTOUT



MAXIMUM PANEL THICKNESS: 0.472 [12.0mm]

SCHEMATIC



SPECIFICATIONS

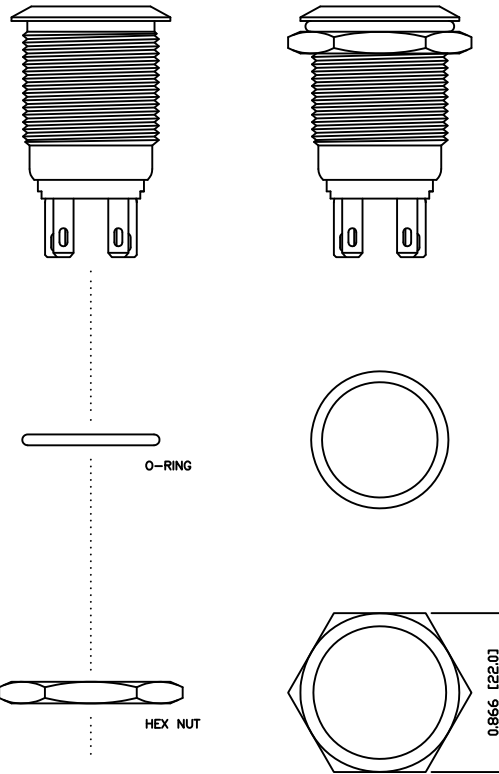
- FUNCTION:
1PNO OFF-(ON) + 1PNC ON-(OFF)
- RATING:
2A 48VDC
- ILLUMINATION VOLTAGE:
6V 20mA
- CONTACT RESISTANCE:
Initial: 50mΩ; Max. at 1A 12VDC
- INSULATION RESISTANCE:
1,000MΩ Min. at 500VDC
- DIELECTRIC STRENGTH:
2,000VAC Min. for 1 Minute
- ELECTRICAL LIFE:
50,000 Cycles
- MECHANICAL LIFE:
1,000,000 Cycles
- TEMPERATURE:
Operating: -20°C to 70°C
- INGRESS PROTECTION:
IP65
- APPROVALS:
RoHS
COMPLIANT

MATERIALS

- BUSHING:
Aluminum
- BASE:
Polycarbonate (PC)
- ACTUATOR:
Stainless Steel (304)
Polycarbonate (PC)
- HARDWARE:
Nickel Plated Brass (H59)
- SEALING:
Silicone Rubber
- INNER ASSEMBLY:
Polyoxymethylene (POM)
Polycarbonate (PC)
Brass (H62)
- SPRING:
Stainless Steel (Cr18Ni9)
- CONTACTS:
Silver/Cadmium Oxide (AgCdO)
- TERMINALS:
Brass (H62)
- O-RING:
Silicone Rubber

COLORS AND FINISH

- BEZEL:
Black
Anodized Finish
- ACTUATOR:
Stainless Steel
Machine Finish
- ILLUMINATION:
Blue (Forward)
Blue (Reverse)
- MARKING:
None



EXPLODED VIEW

ASSEMBLED VIEW

| | | | |
|----------------|------|----------|-----|
| BODY | A | 09/07/24 | CAB |
| COLORS | A | 09/07/27 | CAB |
| MATERIALS | B | 09/10/16 | CAB |
| SPECIFICATIONS | A | 09/07/27 | CAB |
| REFERENCE | REV. | DATE | BY |

THE INFORMATION CONTAINED IN THIS DOCUMENT IS PROPRIETARY TO E-SWITCH AND IS NOT TO BE COPIED OR TRANSFERRED

| | | | | |
|------|-----------------|-------|----------|----------|
| A | INITIAL RELEASE | 19077 | 10/05/18 | CAB |
| REV. | DESCRIPTION | PCR | DATE | DRAWN BY |

| | |
|----------------------|------------|
| DIMENSIONS | |
| INCHES [MILLIMETERS] | |
| GENERAL TOLERANCES | |
| ±0.008 [±0.2] / ±1' | |
| SCALE | PROJECTION |
| DRAWING NOT TO SCALE | 1st Angle |

| | | | |
|-----------------------------|--------------|----------|--|
| | | | |
| <p>PV4F2Y01S-343</p> | | | |
| ITEM NUMBER | DATE | REVISION | |
| 52-PV4F2Y01S343 | MAY 18, 2010 | A | |