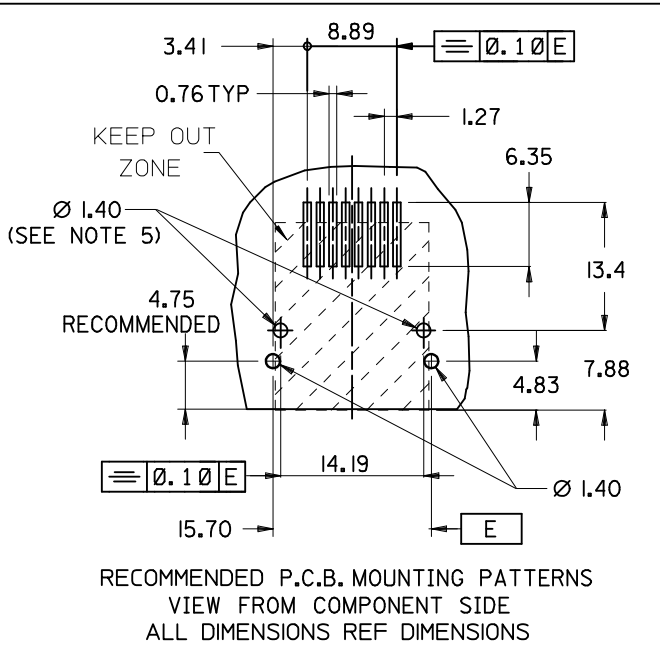
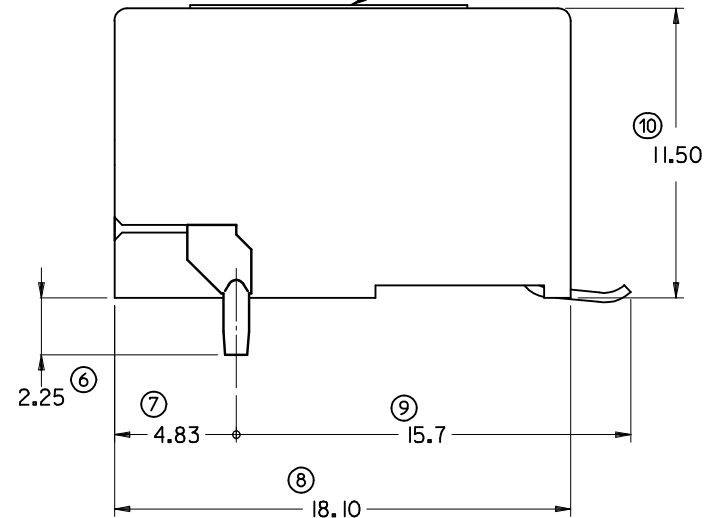
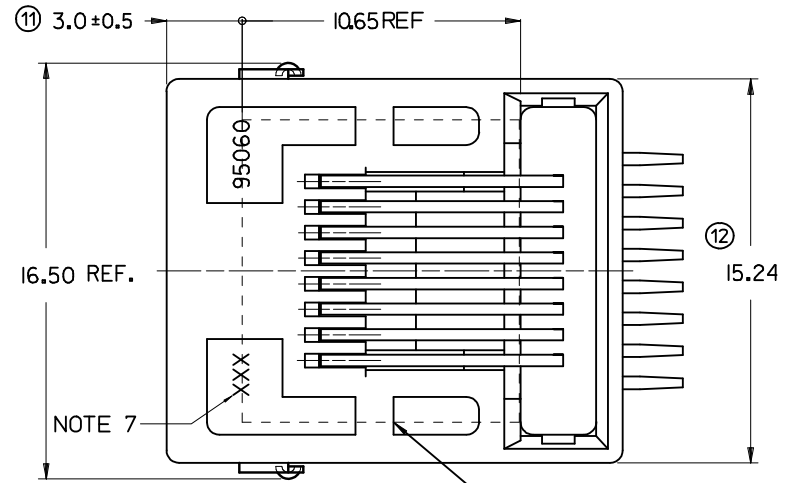
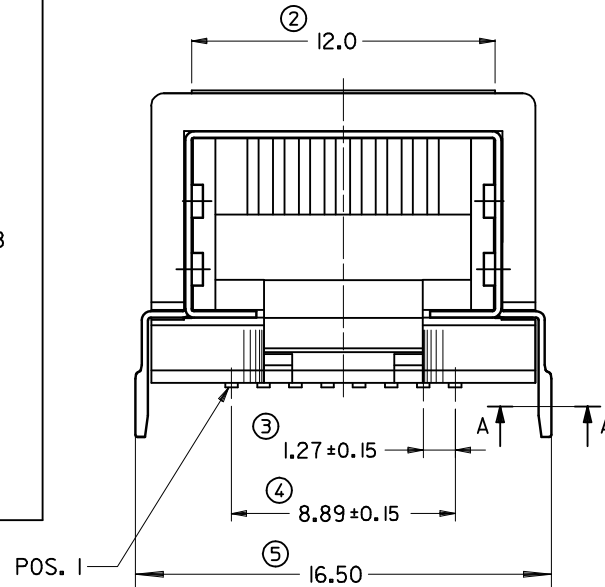
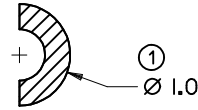


**TECHNICAL SPECIFICATIONS:**

**MATERIAL :**  
**HOUSING:** LCP GLASS FILLED UL 94V0, COLOR: BLACK  
**TERMINAL:** COPPER ALLOY PLATED WITH :  
**BASE FINISH:** NICKEL  
**CONTACT SURFACE FINISH:**  
 GOLD  
 OR  
 GOLD FLASH OVER PALLADIUM NICKEL  
 EXCEEDS PRODUCT REQUIREMENTS BASED ON PS-95540-002  
**SHIELD :** COPPER ALLOY PLATED WITH TIN

PACKAGING		
PART NUMBER	REEL SIZE	SPEC.
95540-6880	330	PK-85502 SHT.1

**SECTION A-A**



RECOMMENDED P.C.B. MOUNTING PATTERNS  
 VIEW FROM COMPONENT SIDE  
 ALL DIMENSIONS REF DIMENSIONS

**NOTES:**

- JACK FOR MATING WITH IEC 60603-7 AND TIA-1096-A PLUGS, 95043 MOLEX SERIES.
- COPLANARITY OF LEADS : 0.10 MAX.
- PACKAGING : MOLEX PK-85502 SHEET I (BLISTER ON REEL).
- KAPTON ADHESIVE FOIL: 0.125 THICK.
- OPTIONAL HOLES FOR COMPAT. WITH UNSHIELDED VERSION.
- PRODUCT SPECIFICATION: MOLEX PS-95540-002
- MANUFACTURING I.D. CAN BE EITHER MXF, MG OR MXI.  
 LAST INSPECTION NUMBER: 12

<b>REMOVED OPTION</b> EC NO: IPG2012-0697 DRW:DBYRNES 2012/04/02 CHKD:FUGGAN 2012/04/17 APPR:EFOLAN 2012/06/26	QUALITY SYMBOLS ▽=0 ◻=1	GENERAL TOLERANCES (UNLESS SPECIFIED)		DIMENSION STYLE MM ONLY		SCALE 5:1	DESIGN UNITS METRIC	THIRD ANGLE PROJECTION		
		4 PLACES ± --- ± ---	3 PLACES ± --- ± ---	2 PLACES ± 0.1 ± ---	1 PLACE ± 0.15 ± ---	DRAWN BY KNOLLER	DATE 04/06/16	TITLE RIGHT ANGLE LOW PROFILE SMT SHIELDED P.C. JACK WITH SOLDER LEGS		
		ANGULAR ± 1/2°		DRAFT WHERE APPLICABLE MUST REMAIN WITHIN DIMENSIONS		CHECKED BY FCARABET	DATE 04/06/17	MOLEX INCORPORATED		
		MATERIAL NO. SEE CHART		DOCUMENT NO. SD-95540-001		APPROVED BY KNOLLER		DATE 04/06/17	SHEET NO. 3 OF 3	