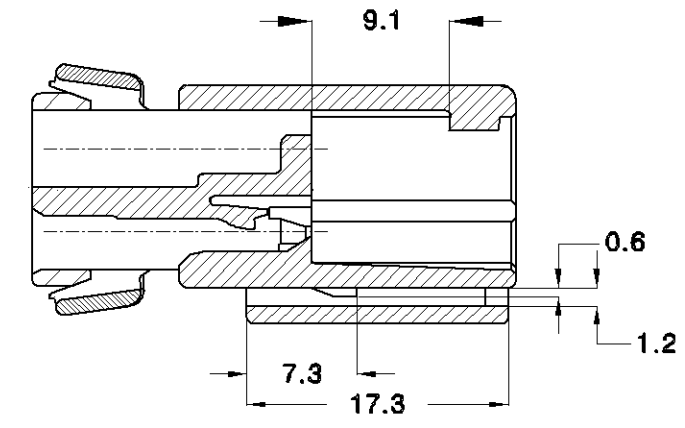
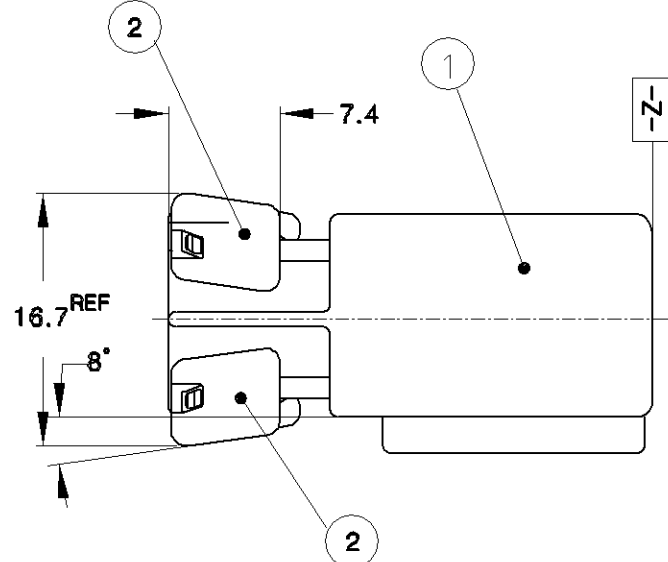
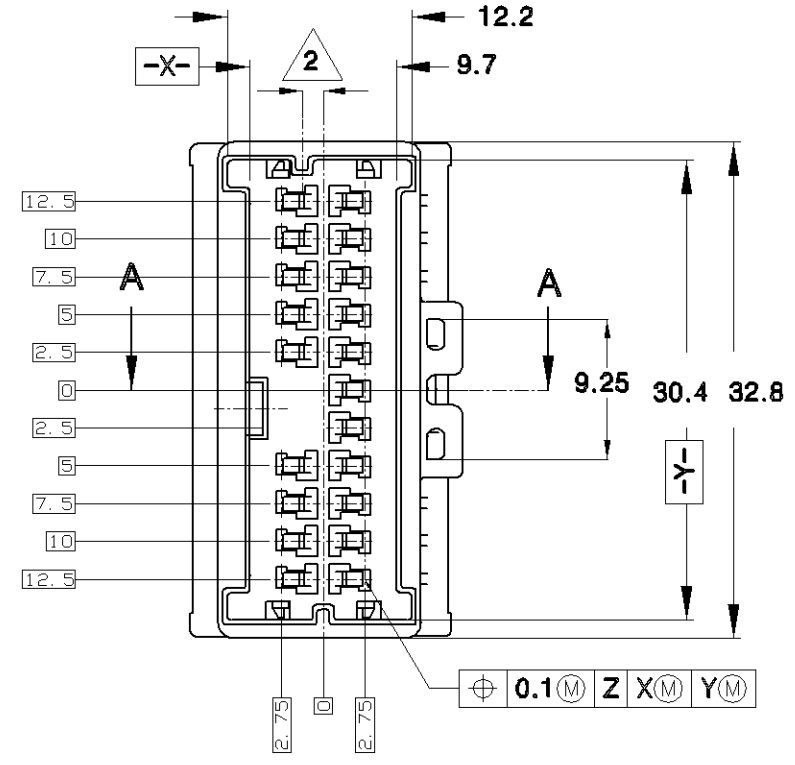
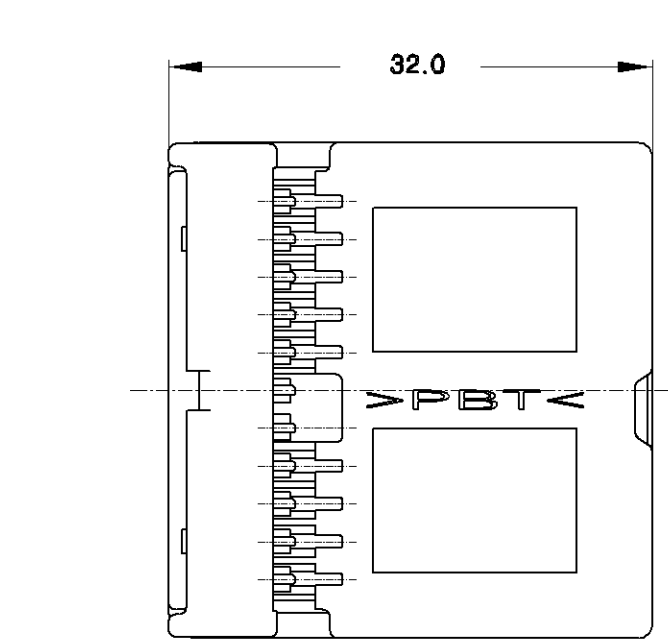
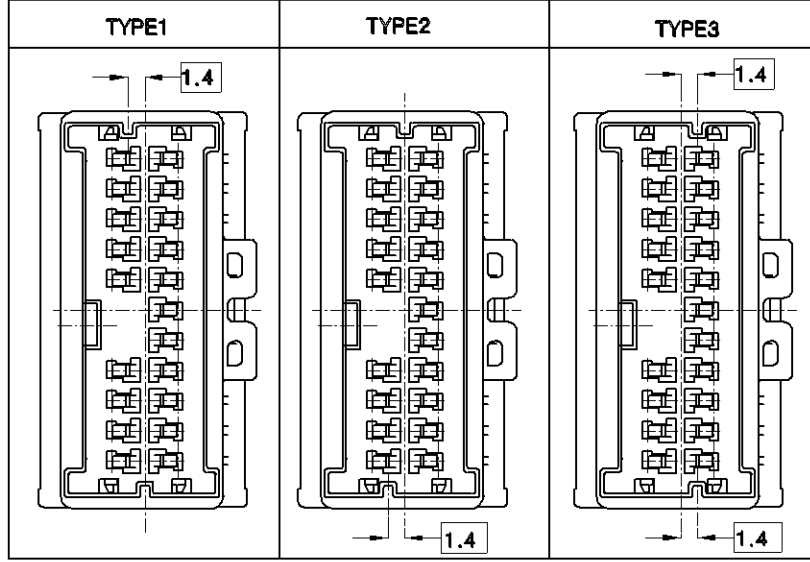


LOC	DIST	REVISIONS					
		P	LTR	DESCRIPTION	DATE	DWN	APVD
DS		O		RELEASED(FC00-0039-03)	27/MAR/'03	HS	CS
		A		REVISED(FC00-0101-03)	19/JUL/'03	HS	CS
		A1		REVISED(ECR-07-021917)	14/SEP/'07	SW	JK



<KEY CODE>

SECTION A-A



NOTES:

- PLATE MUST BE COMPLETELY PRE-ASSEMBLED
- KEY CODE : REFER TO THE TABLE
- APPLICABLE CONTACT P/N: 353537-1, 353537-2 (A1)
- THE MATING P/N ; 936473

주 기

- PLATE는 그림과 같이 1차 locking 상태로 공급되어짐.
- KEY CODE : TABLE 참조
- 적용 TML P/N: 353537-1, 353537-2 (A1)
- 상대 하우징 P/N ; 936473

ITEM NO	FINISH/COLOR	MATERIAL	DESCRIPTION	KEY CODE TYPE	ASS'Y P/N								
					936500-8	936500-7	936500-6	936500-5	936500-4	936500-3	936500-2	936500-1	
②	BLACK		20Pos.DBL LOCK PLATE	-	2	2	2	2	2	2	2	2	2
①	BLUE			1	1	-	-	-	-	-	-	-	-
	GREEN			1	-	1	-	-	-	-	-	-	-
	RED			1	-	-	1	-	-	-	-	-	-
	YELLOW			1	-	-	-	1	-	-	-	-	-
	BROWN			2 (A)	-	-	-	-	1	-	-	-	-
	GRAY			3 (A)	-	-	-	-	-	1	-	-	-
	BLACK			1	-	-	-	-	-	-	1	-	-
	NATURAL	PBT	20Pos. CAP HSG	1	-	-	-	-	-	-	-	-	1

THIS DRAWING IS A CONTROLLED DOCUMENT FOR TYCO ELECTRONICS CORPORATION. IT IS SUBJECT TO CHANGE AND THE CONTROLLING ENGINEERING ORGANIZATION SHOULD BE CONTACTED FOR THE LATEST REVISION.

DIMENSIONS: MM
 TOLERANCES UNLESS OTHERWISE SPECIFIED:
 0 <XX<10 ± 0.2
 10<XX<30 ± 0.25
 30<XX ± 0.3
 ANGLES ± 3°

3rd ANGLE PROJECTION
 MATERIAL SEE TABLE
 FINISH

DWN SW NA
 CHK YM CHOI
 APVD JK SONG
 PRODUCT SPEC
 APPLICATION SPEC
 WEIGHT

Tyco Electronics AMP KOREA.
 kyungsan, korea

NAME
 20Pos. CAP HOUSING ASS'Y 040 III MLC CONN.

SIZE A3 CAGE CODE 00779 DRAWING NO C- 936500 RESTRICTED TO

CUSTOMER DRAWING SCALE 2/1 SHEET 1 OF 1 REV A1