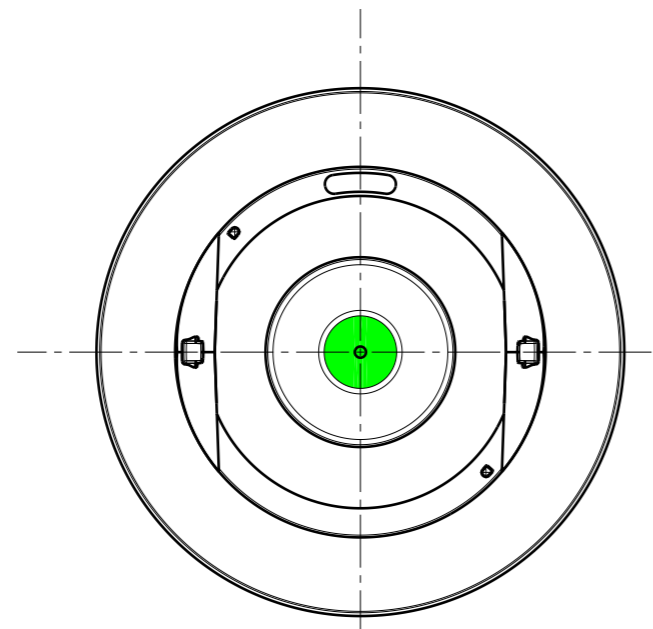
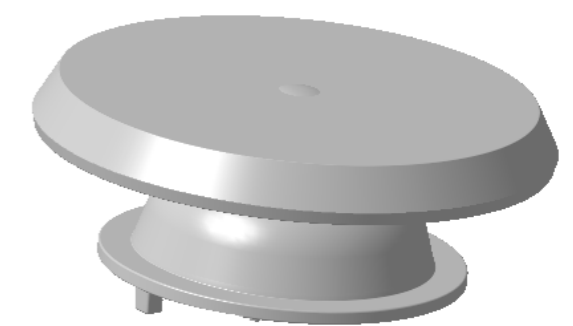


Bottom view
Scale: 1:1

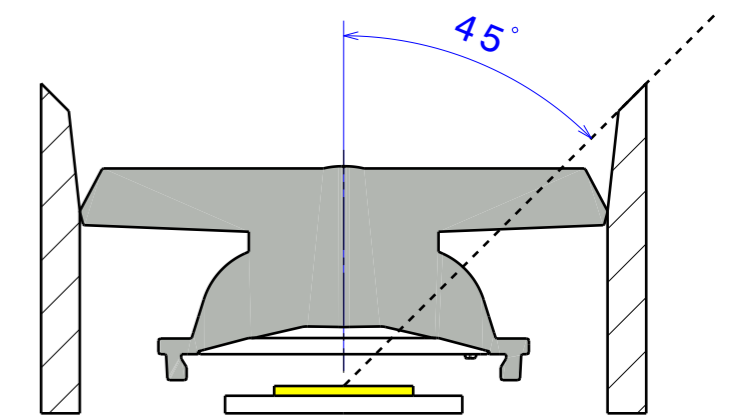
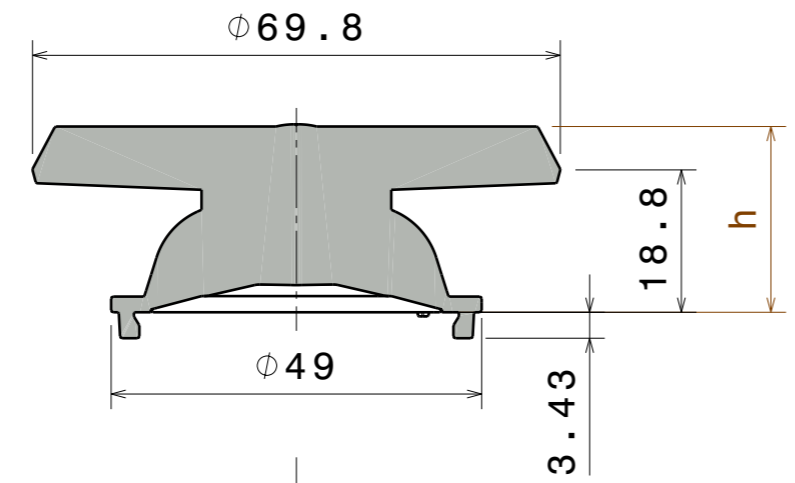


Direct bayonet fit to standard 2-rail connector designs



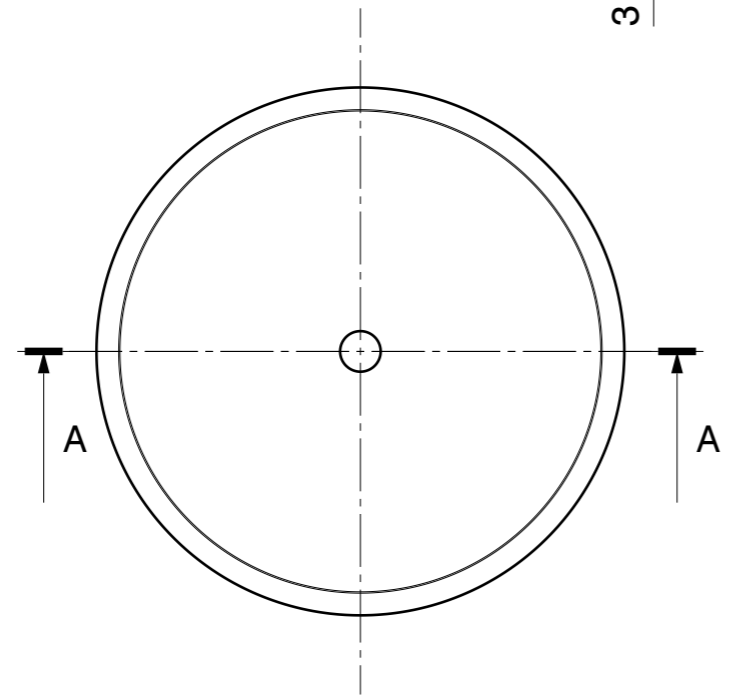
Isometric view
Scale: 1:1

Section view A-A
Scale: 1:1



Typical recessed mounting

Top view
Scale: 1:1



Part no.	h
C16263_MOLLY-S-B	24.8
C16264_MOLLY-M-B	23.6
C16265_MOLLY-W-B	22.1

PART	TYPE	MATERIAL	COLOR / COATING
C16263	Lens	PMMA	Clear
C16264			
C16265			

Notes

	PCB or heatsink level.
	LED location
	Ensure LED fitting from a product specific 3D model available from www.ledil.com
	For more details about installation please see LEDiL Installation Guide on www.ledil.com

MECHANICAL DRAWING		LEDiL [®]
PRODUCT MOLLY-B		
Plastic moulding general tolerances according to DIN 16901-130 and applies if not otherwise shown in the drawing. Silicone moulding general tolerances according to ISO 3302-1 Class M3 and applies if not otherwise shown in the drawing.	FIRST ANGLE PROJECTION: 	This drawing is the property of LEDiL Oy. It may not be copied or otherwise distributed without prior written permission from LEDiL Oy.
SCALE 1:1	WEIGHT -	A3 SHEET 1/1